

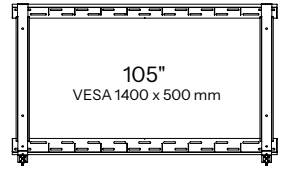
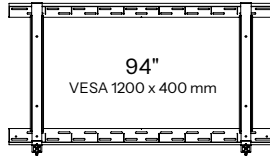
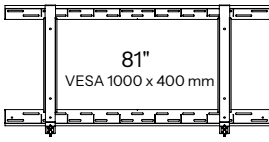
PLANAR®

21by9™ Series LCD

81 / 94 / 105
81T / 94T / 105T

Low Profile Wall Mount Installation Guide

Wall-mount bracket



Parts list:

Wall plate: 2

Rail: 2

Concrete wall anchor: 20

Lag bolt: 20



Caution

Assembly requires two or more people.

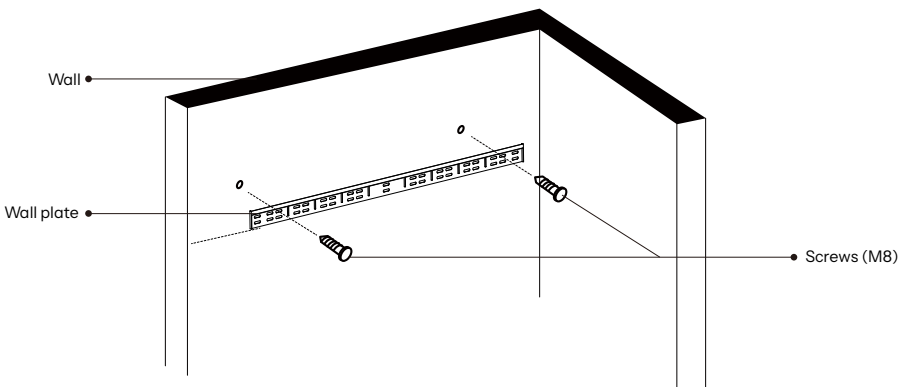
Do not attempt to install this wall mount bracket by yourself.

FOR PROPER INSTALLATION, PLEASE FOLLOW THIS GUIDE

Installation Steps

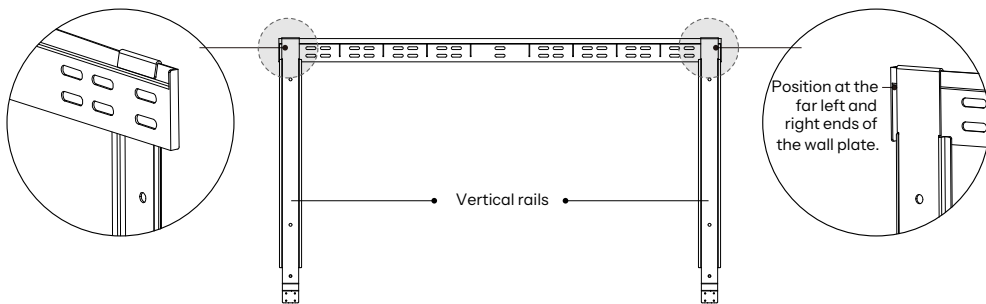
Mounting the horizontal wall plate:

Mark the desired height on the wall, ensure it's leveled, then secure wall plate with screws.

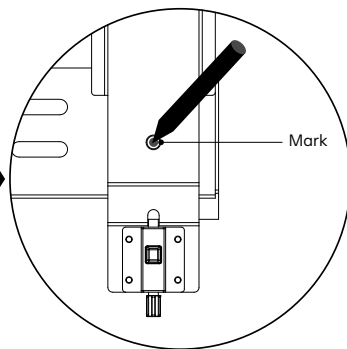
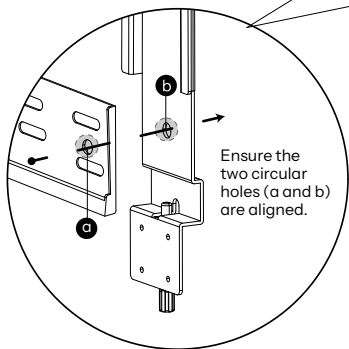
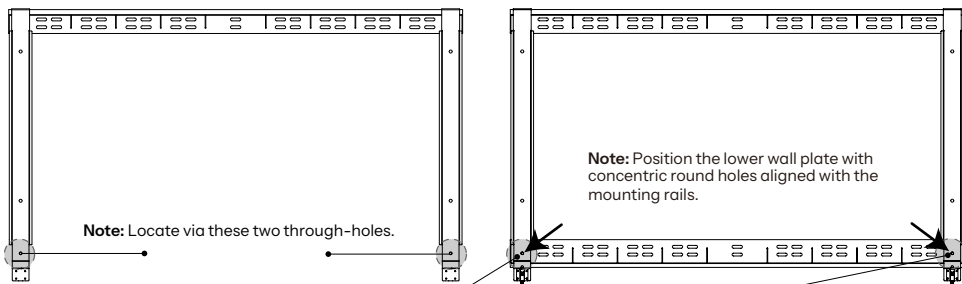


Positioning the two vertical rails:

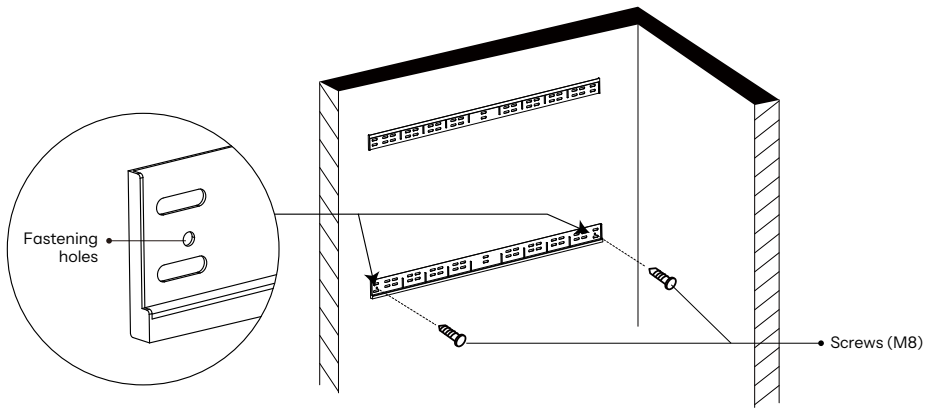
Hang them at left and right ends of the wall plate.



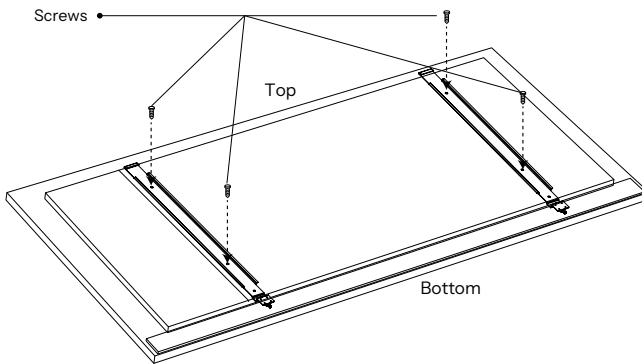
Mark the fixing positions under the wall plate.



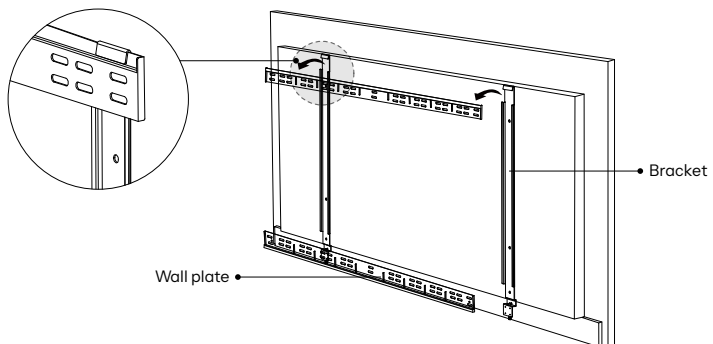
Fasten the lower wall plate to the wall.



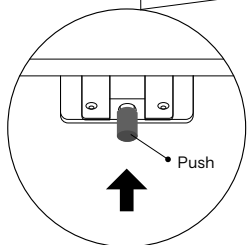
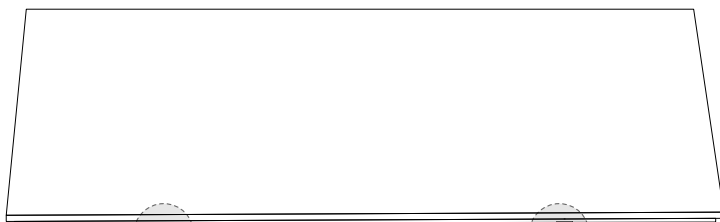
Install the two rails to the VESA mounting holes on the back of display.



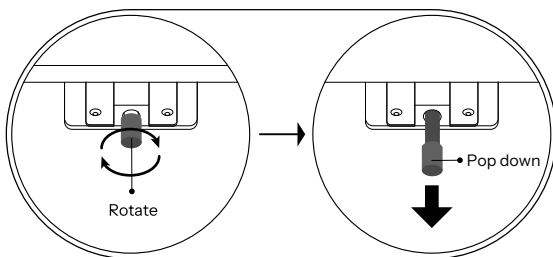
Hang the display with the mounted rails locked in place onto the wall plate.



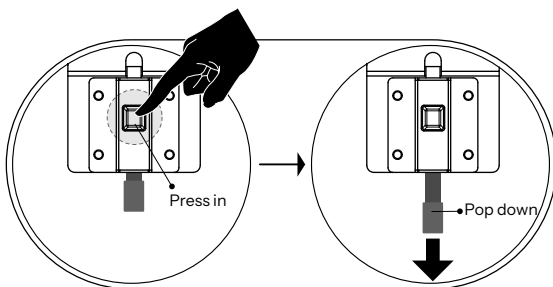
Secure the rails to the wall plate by engaging the locks.



Lock: Push the knob inward to lock the rail securely.



Unlock (A): Rotate the knob clockwise for two full turns; the knob will pop down and the bracket will be unlocked.



Unlock (B): Press the button as seen on the diagram; the knob will pop down and the bracket will be unlocked.