



REVISION HISTORY					
ECO	SHEET	REV.	DESCRIPTION	DATE	APPR'D
		A	INITIAL RELEASE	12/01/25	JJG
		B	CORRECTED MODULE HEIGHT	6/8/2026	JJG

PLANAR®

PLANAR SYSTEMS, INC.
6799 NE BENNETT STREET
HILLSBORO, OR 97124 USA

THIS DRAWING CONTAINS INFORMATION PROPRIETARY TO PLANAR SYSTEMS, INC. ANY REPRODUCTION IN PART OR WHOLE WITHOUT THE WRITTEN PERMISSION OF PLANAR SYSTEMS IS PROHIBITED. THIS DRAWING IS SUPPLIED FOR INFORMATION, IDENTIFICATION, ENGINEERING, EVALUATION, AND/OR INSPECTION PURPOSES ONLY AND MAY NOT BE USED AS BASIS FOR THE MANUFACTURING OF PRODUCTS OR THE DESIGN OF ANY THIRD PARTY UNLESS AUTHORIZED IN WRITING BY PLANAR SYSTEMS.

PRODUCT
Planar® Komodo™ Series LED
Product Overview

SHEET TITLE
KOMODO 0.9-1.2
OUTLINE

DRAWN BY
JJG

DRAWN DATE
17 NOV 25

SHEET
1 OF 10

SHEET SIZE REVISION
B B

UNLESS OTHERWISE SPECIFIED DIMENSIONS ARE IN MILLIMETERS (INCHES).

1. SPECIFICATIONS SUBJECT TO CHANGE WITHOUT NOTICE

NOTES: UNLESS OTHERWISE SPECIFIED.

4

3

2

1

D

C

B

A

1. SPECIFICATIONS SUBJECT TO CHANGE WITHOUT NOTICE

NOTES: UNLESS OTHERWISE SPECIFIED.

4

3

2

1

Sheet List Table	
Sheet Number	Sheet Title
1	KOMODO 0.9-1.2 OUTLINE
2	KEY & INDEX
3	KOMODO 0.9-1.2 OVERVIEW - PG 1
4	KOMODO 0.9-1.2 OVERVIEW - PG 2
5	KOMODO 0.9-1.2 MODULE OVERVIEW
6	KOMODO 0.9-1.2 FRONT INSTALL
7	KOMODO 0.9-1.2 REAR INSTALL
8	KOMODO 0.9-1.2 MOUNT ACCESSORY
9	KOMODO 0.9-1.2 8X6MOUNT LAYOUT
10	KOMODO 0.9-1.2 TRIM



PLANAR SYSTEMS, INC.
6799 NE BENNETT STREET
HILLSBORO, OR 97124 USA

D

THIS DRAWING CONTAINS INFORMATION PROPRIETARY TO PLANAR SYSTEMS, INC. ANY REPRODUCTION IN PART OR WHOLE WITHOUT THE WRITTEN PERMISSION OF PLANAR SYSTEMS IS PROHIBITED. THIS DRAWING IS SUPPLIED FOR INFORMATION, IDENTIFICATION, ENGINEERING, EVALUATION, AND/OR INSPECTION PURPOSES ONLY AND MAY NOT BE USED AS BASIS FOR THE MANUFACTURING OF PRODUCTS OR THE INSTALLATION OF PRODUCTS. PLANAR SYSTEMS OR ITS ANY THIRD PARTY, IN LESS AUTHORIZED IN WRITING BY PLANAR SYSTEMS.

C

PRODUCT
**Planar® Komodo™ Series LED
Product Overview**

PART NO.

-

B

SHEET TITLE
KEY & INDEX

UNLESS OTHERWISE SPECIFIED DIMENSIONS ARE IN MILLIMETERS (INCHES).

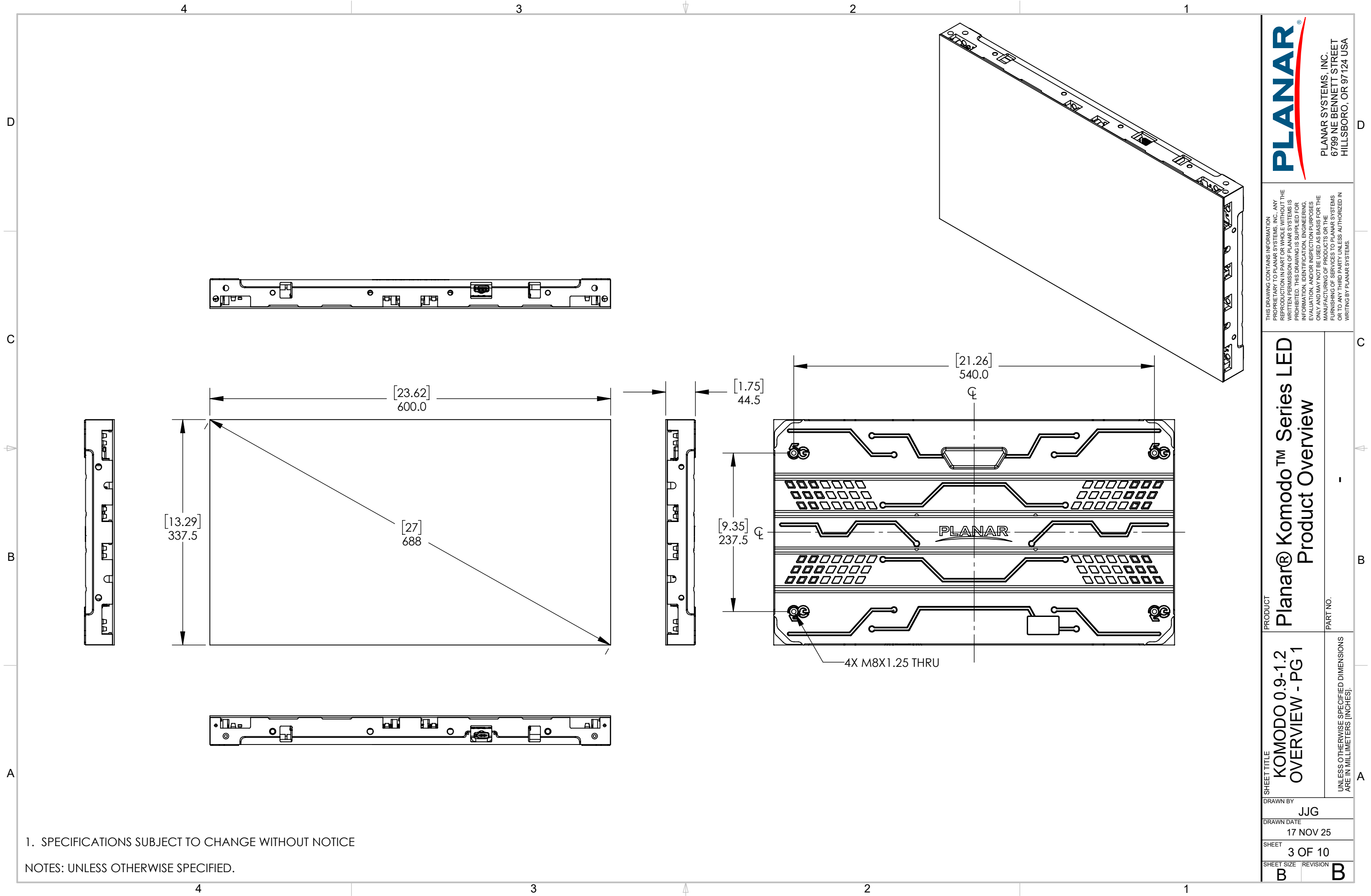
A

DRAWN BY
JJG

DRAWN DATE
17 NOV 25

SHEET
2 OF 10

SHEET SIZE REVISION
B B



PLANAR®
 PLANAR SYSTEMS, INC.
 6799 NE BENNETT STREET
 HILLSBORO, OR 97124 USA

THIS DRAWING CONTAINS INFORMATION PROPRIETARY TO PLANAR SYSTEMS, INC. ANY REPRODUCTION IN PART OR WHOLE WITHOUT THE WRITTEN PERMISSION OF PLANAR SYSTEMS IS PROHIBITED. THIS DRAWING IS SUPPLIED FOR INFORMATION, IDENTIFICATION, ENGINEERING, EVALUATION, AND/OR INSPECTION PURPOSES ONLY AND MAY NOT BE USED AS BASIS FOR THE MANUFACTURING OF PRODUCTS OR THE DESIGN OF ANY THIRD PARTY UNLESS AUTHORIZED IN WRITING BY PLANAR SYSTEMS.

PRODUCT
Planar® Komodo™ Series LED
Product Overview

PART NO. -

SHEET TITLE
KOMODO 0.9-1.2
OVERVIEW - PG 1

UNLESS OTHERWISE SPECIFIED DIMENSIONS ARE IN MILLIMETERS (INCHES).

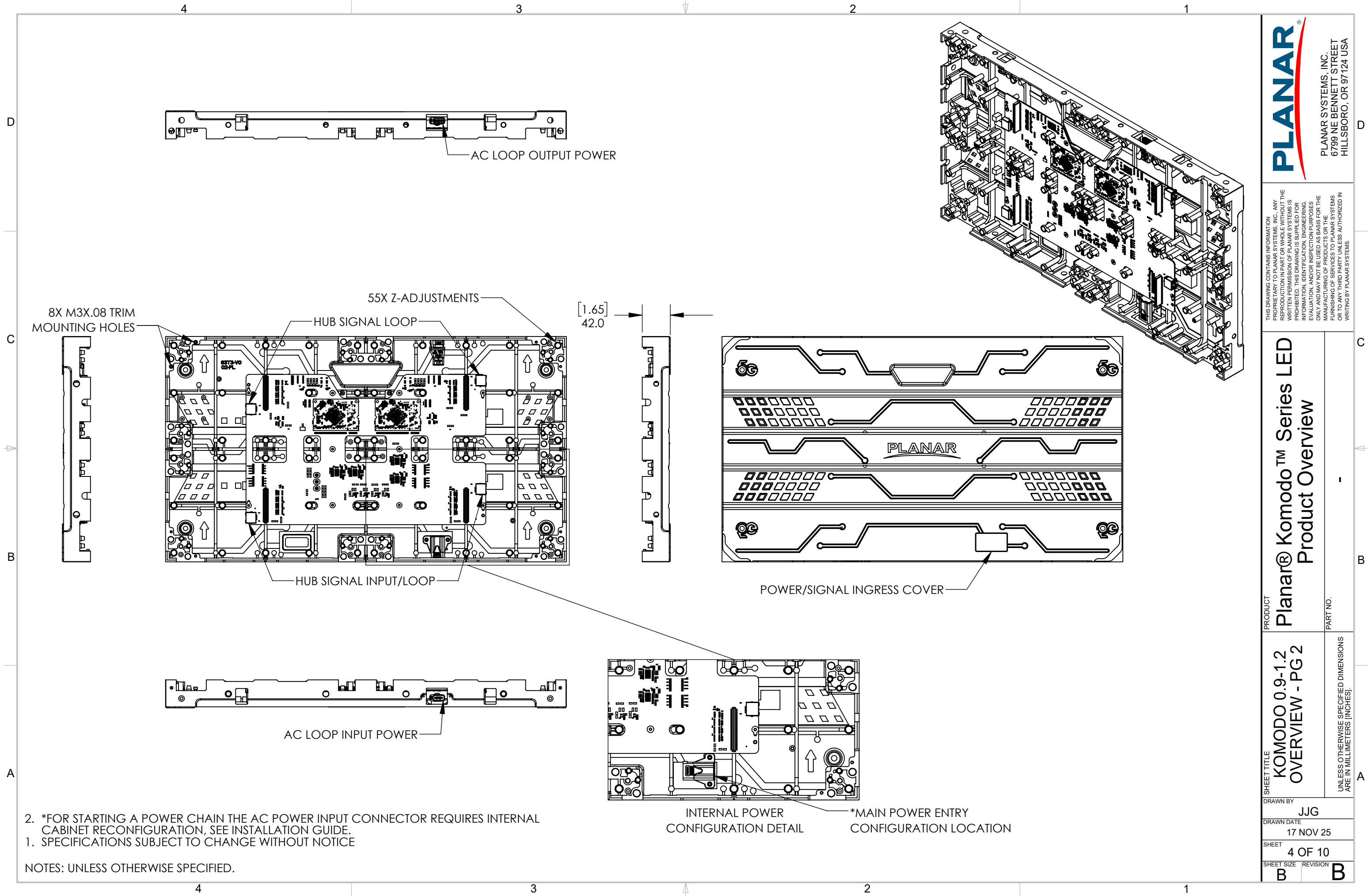
DRAWN BY
JJG

DRAWN DATE
17 NOV 25

SHEET
3 OF 10

SHEET SIZE REVISION
B B

1. SPECIFICATIONS SUBJECT TO CHANGE WITHOUT NOTICE
 NOTES: UNLESS OTHERWISE SPECIFIED.



PLANAR®
 PLANAR SYSTEMS, INC.
 6799 NE BENNETT STREET
 HILLSBORO, OR 97124 USA

THIS DRAWING CONTAINS INFORMATION PROPRIETARY TO PLANAR SYSTEMS, INC. ANY REPRODUCTION IN PART OR WHOLE WITHOUT THE WRITTEN PERMISSION OF PLANAR SYSTEMS IS PROHIBITED. THIS DRAWING IS SUPPLIED FOR INFORMATION, IDENTIFICATION, ENGINEERING, EVALUATION, AND/OR INSPECTION PURPOSES ONLY AND MAY NOT BE USED AS BASIS FOR THE MANUFACTURING OF PRODUCTS OR THE DESIGN OF ANY THIRD PARTY UNLESS AUTHORIZED IN WRITING BY PLANAR SYSTEMS.

PRODUCT
Planar® Komodo™ Series LED
 Product Overview

SHEET TITLE
KOMODO 0.9-1.2
OVERVIEW - PG 2

DRAWN BY
JJG

DRAWN DATE
17 NOV 25

SHEET
4 OF 10

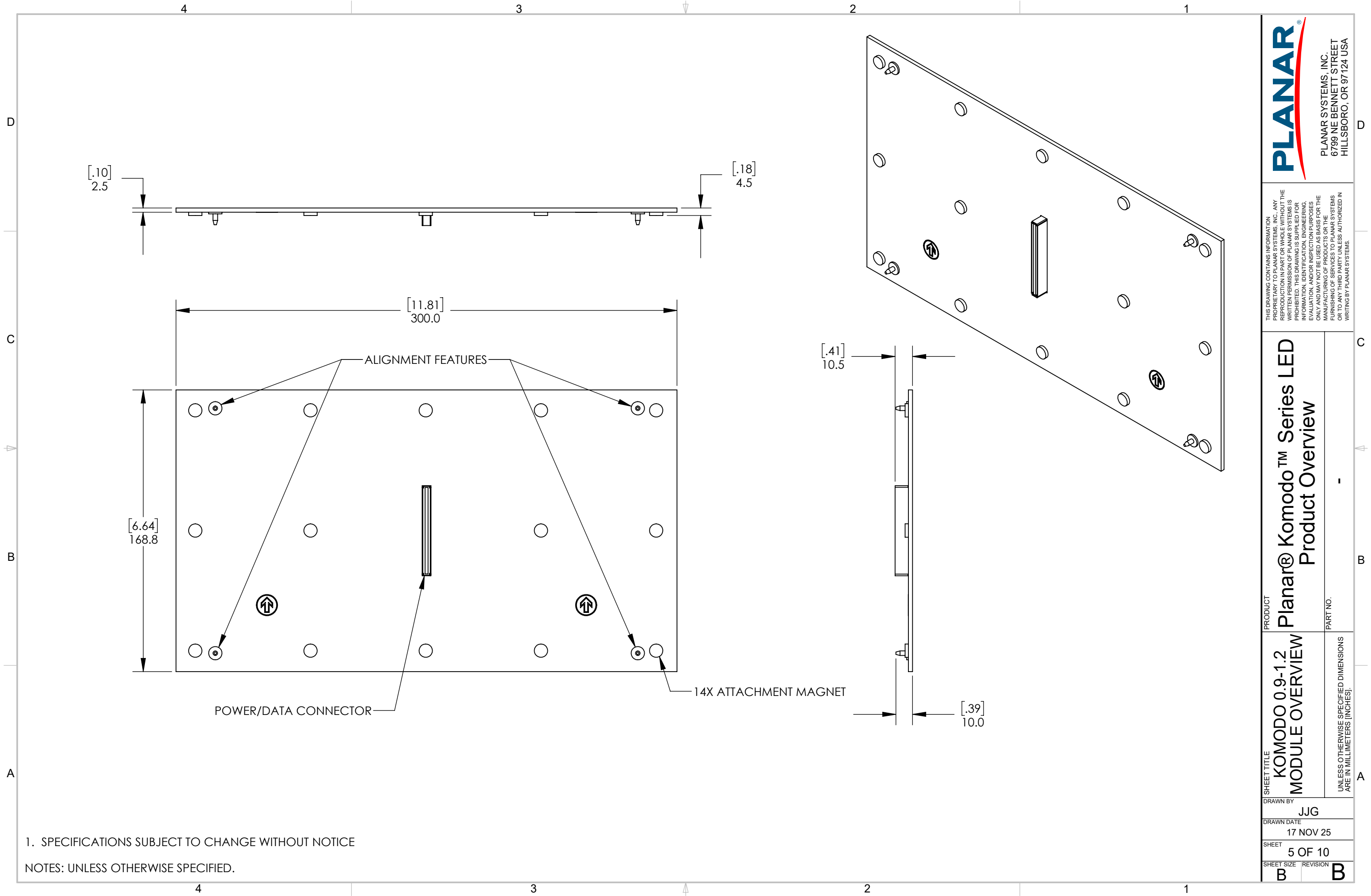
SHEET SIZE REVISION
B B

PART NO.
 -

UNLESS OTHERWISE SPECIFIED DIMENSIONS ARE IN MILLIMETERS (INCHES).

2. *FOR STARTING A POWER CHAIN THE AC POWER INPUT CONNECTOR REQUIRES INTERNAL CABINET RECONFIGURATION, SEE INSTALLATION GUIDE.
 1. SPECIFICATIONS SUBJECT TO CHANGE WITHOUT NOTICE

NOTES: UNLESS OTHERWISE SPECIFIED.



1. SPECIFICATIONS SUBJECT TO CHANGE WITHOUT NOTICE

NOTES: UNLESS OTHERWISE SPECIFIED.

PLANAR

PLANAR SYSTEMS, INC.
6799 NE BENNETT STREET
HILLSBORO, OR 97124 USA

THIS DRAWING CONTAINS INFORMATION PROPRIETARY TO PLANAR SYSTEMS, INC. ANY REPRODUCTION IN PART OR WHOLE WITHOUT THE WRITTEN PERMISSION OF PLANAR SYSTEMS IS PROHIBITED. THIS DRAWING IS SUPPLIED FOR INFORMATION, IDENTIFICATION, ENGINEERING, EVALUATION, AND/OR INSPECTION PURPOSES ONLY AND MAY NOT BE USED AS BASIS FOR THE MANUFACTURING OF PRODUCTS OR THE DESIGN OF ANY THIRD PARTY UNLESS AUTHORIZED IN WRITING BY PLANAR SYSTEMS.

PRODUCT
Planar® Komodo™ Series LED
Module Overview

PART NO.

-

SHEET TITLE
KOMODO 0.9-1.2
MODULE OVERVIEW

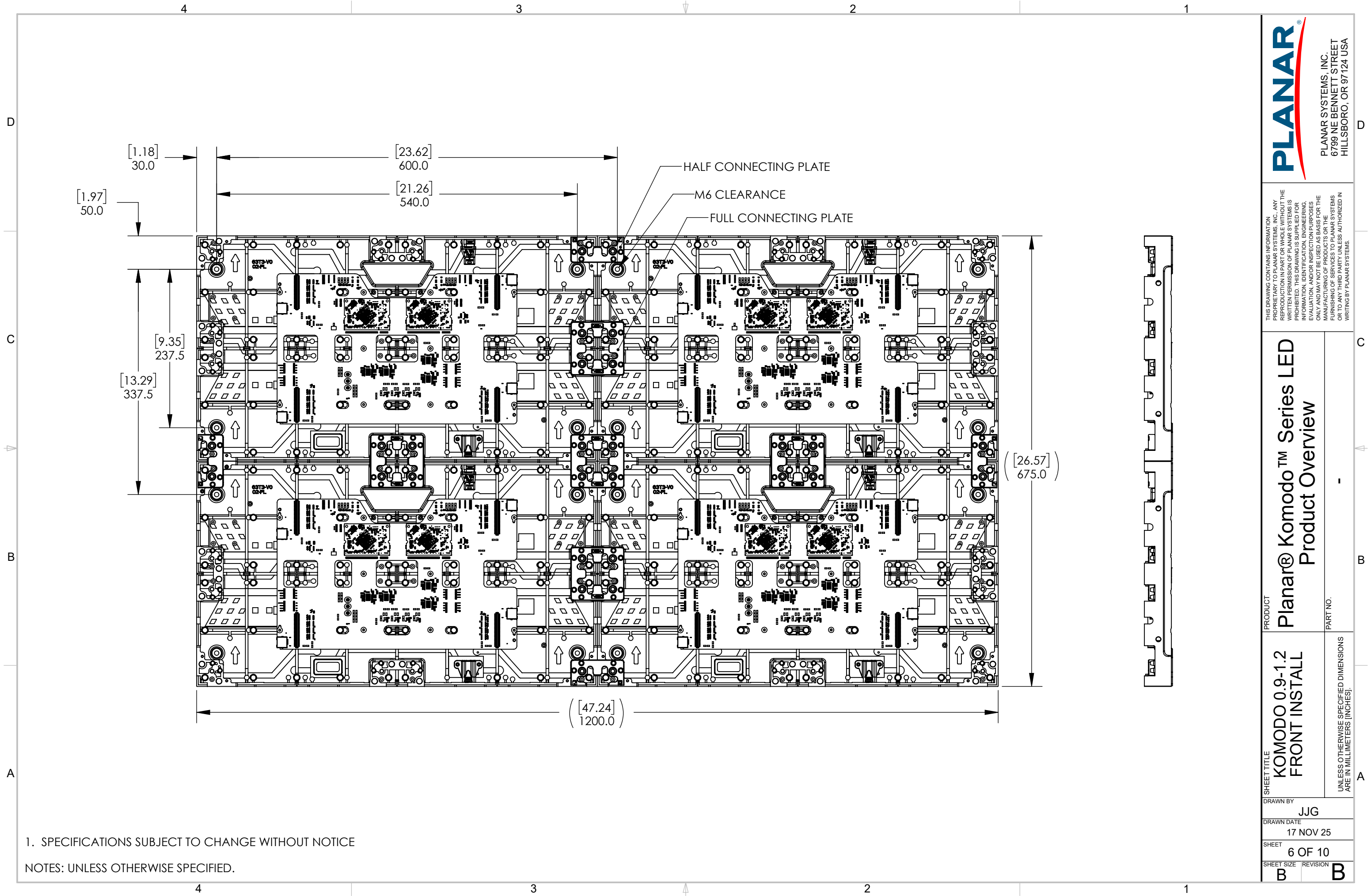
UNLESS OTHERWISE SPECIFIED DIMENSIONS ARE IN MILLIMETERS (INCHES).

DRAWN BY
JJG

DRAWN DATE
17 NOV 25

SHEET
5 OF 10

SHEET SIZE REVISION
B B



THIS DRAWING CONTAINS INFORMATION PROPRIETARY TO PLANAR SYSTEMS, INC. ANY REPRODUCTION IN PART OR WHOLE WITHOUT THE WRITTEN PERMISSION OF PLANAR SYSTEMS IS PROHIBITED. THIS DRAWING IS SUPPLIED FOR INFORMATION, IDENTIFICATION, ENGINEERING, EVALUATION, AND/OR INSPECTION PURPOSES ONLY AND MAY NOT BE USED AS BASIS FOR THE MANUFACTURING OF PRODUCTS OR THE DESIGN OF ANY THIRD PARTY UNLESS AUTHORIZED IN WRITING BY PLANAR SYSTEMS.

PRODUCT
Planar® Komodo™ Series LED
Product Overview

SHEET TITLE
KOMODO 0.9-1.2
FRONT INSTALL

DRAWN BY
JJG

DRAWN DATE
17 NOV 25

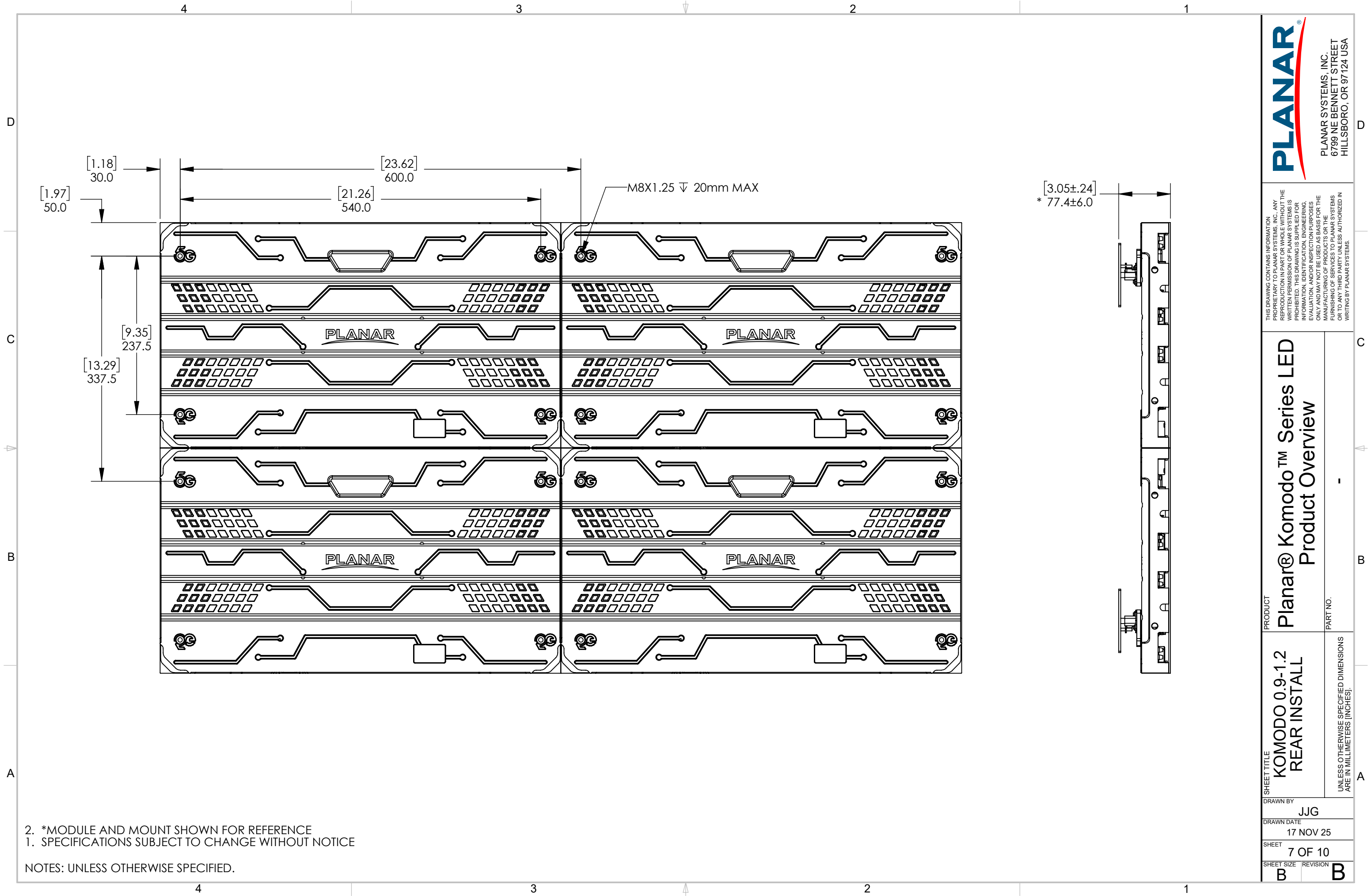
SHEET
6 OF 10

SHEET SIZE REVISION
B B

PART NO.
 -

UNLESS OTHERWISE SPECIFIED DIMENSIONS ARE IN MILLIMETERS (INCHES).

1. SPECIFICATIONS SUBJECT TO CHANGE WITHOUT NOTICE
 NOTES: UNLESS OTHERWISE SPECIFIED.



[1.97] 50.0
 [1.18] 30.0
 [23.62] 600.0
 [21.26] 540.0
 M8X1.25 ∇ 20mm MAX
 [9.35] 237.5
 [13.29] 337.5
 [3.05±.24] * 77.4±6.0

THIS DRAWING CONTAINS PROPRIETARY INFORMATION TO PLANAR SYSTEMS, INC. ANY REPRODUCTION IN PART OR WHOLE WITHOUT THE WRITTEN PERMISSION OF PLANAR SYSTEMS IS PROHIBITED. THIS DRAWING IS SUPPLIED FOR INFORMATION, IDENTIFICATION, ENGINEERING, EVALUATION, AND/OR INSPECTION PURPOSES ONLY AND MAY NOT BE USED AS BASIS FOR THE MANUFACTURING OF PRODUCTS OR THE DESIGN OF ANY THIRD PARTY UNLESS AUTHORIZED IN WRITING BY PLANAR SYSTEMS.

PRODUCT
Planar® Komodo™ Series LED
Product Overview

SHEET TITLE
KOMODO 0.9-1.2 REAR INSTALL

DRAWN BY
JJG

DRAWN DATE
17 NOV 25

SHEET
7 OF 10

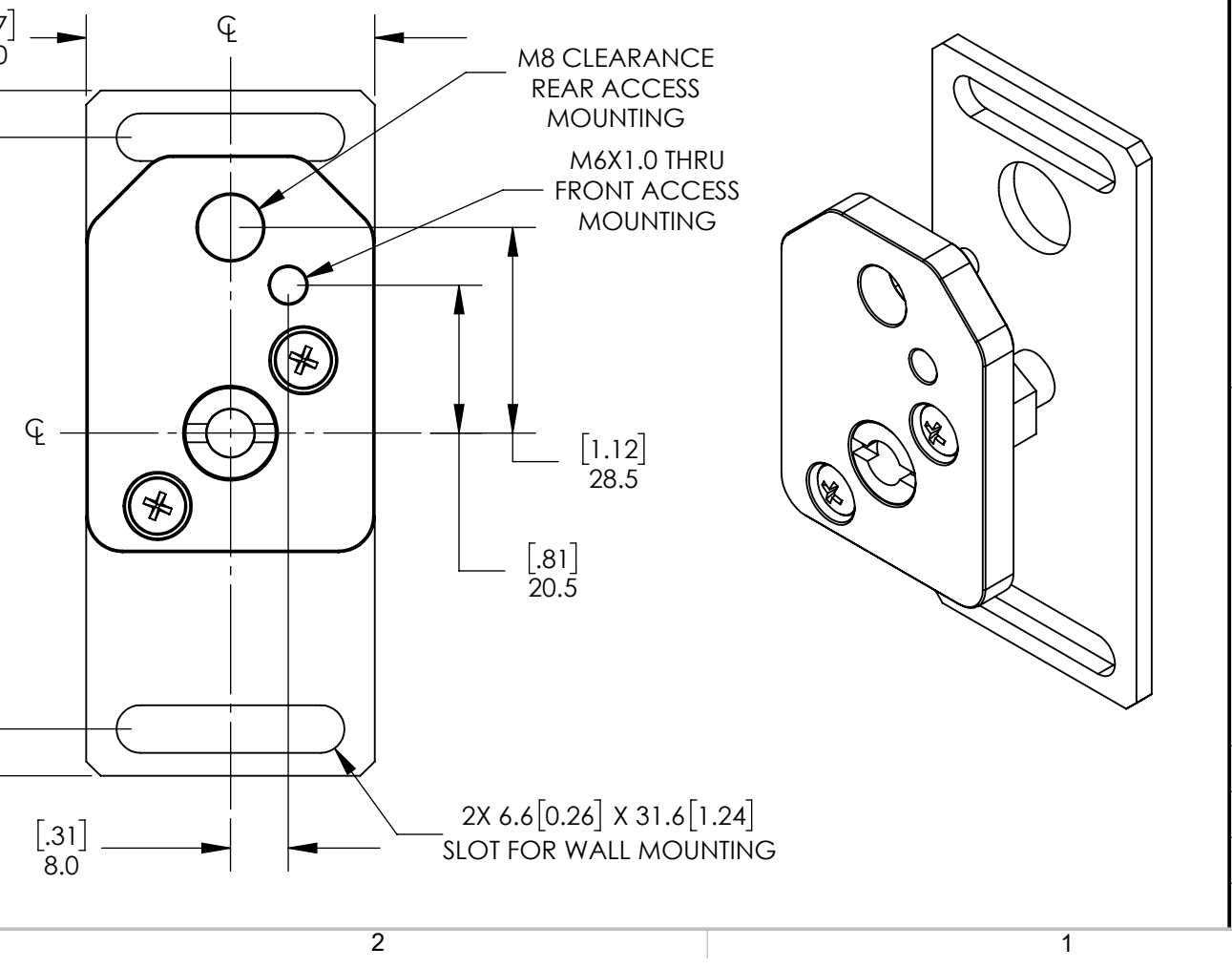
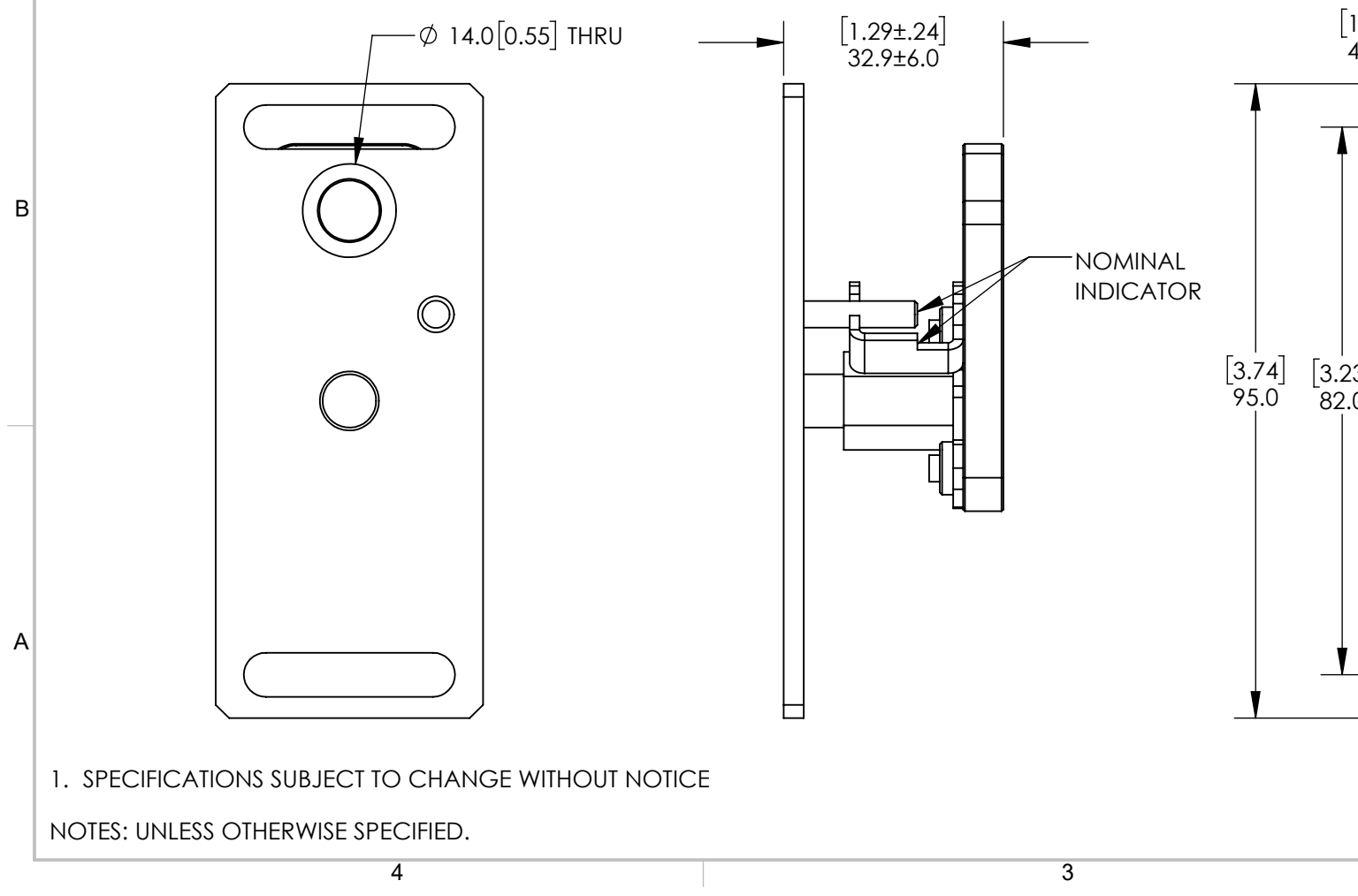
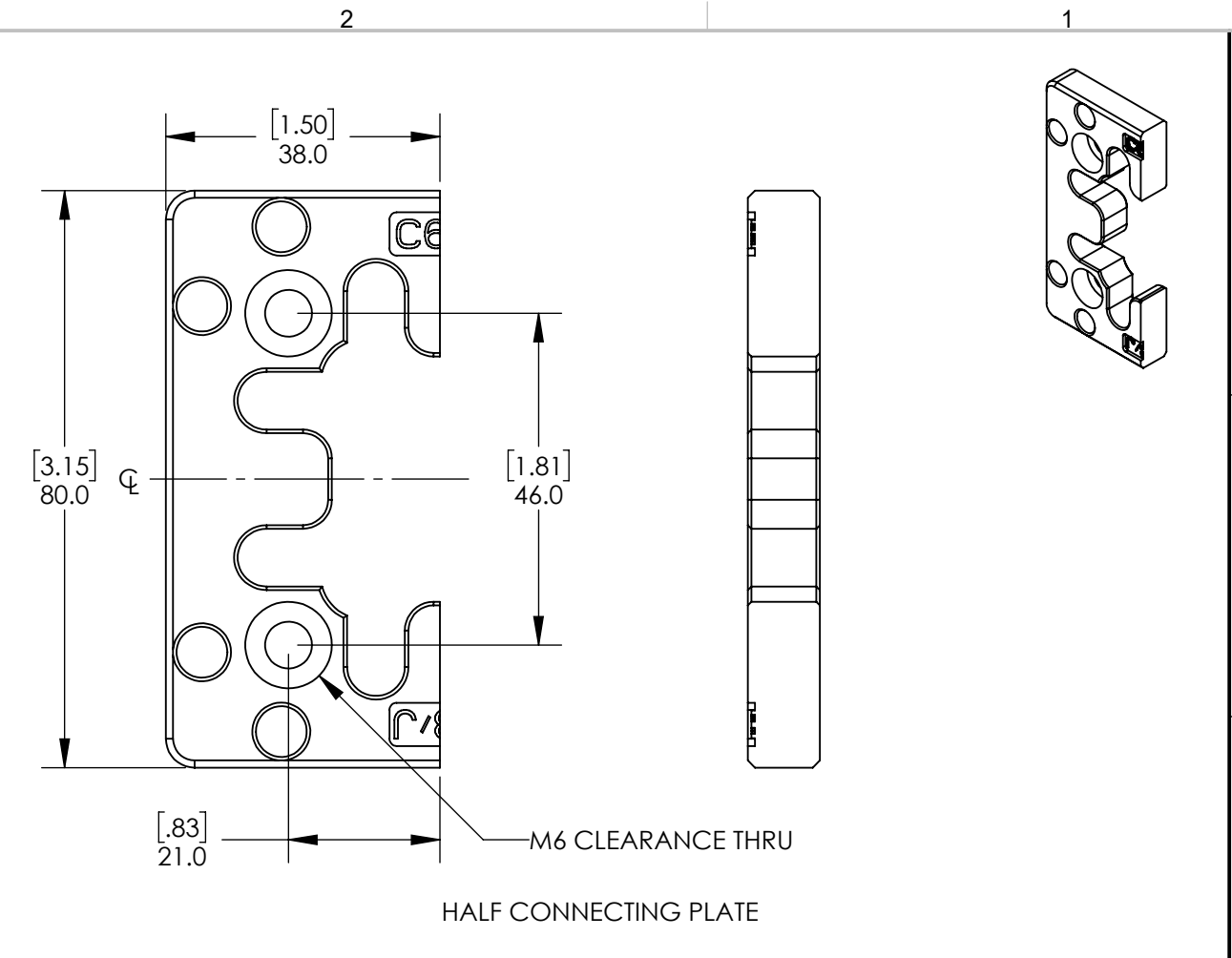
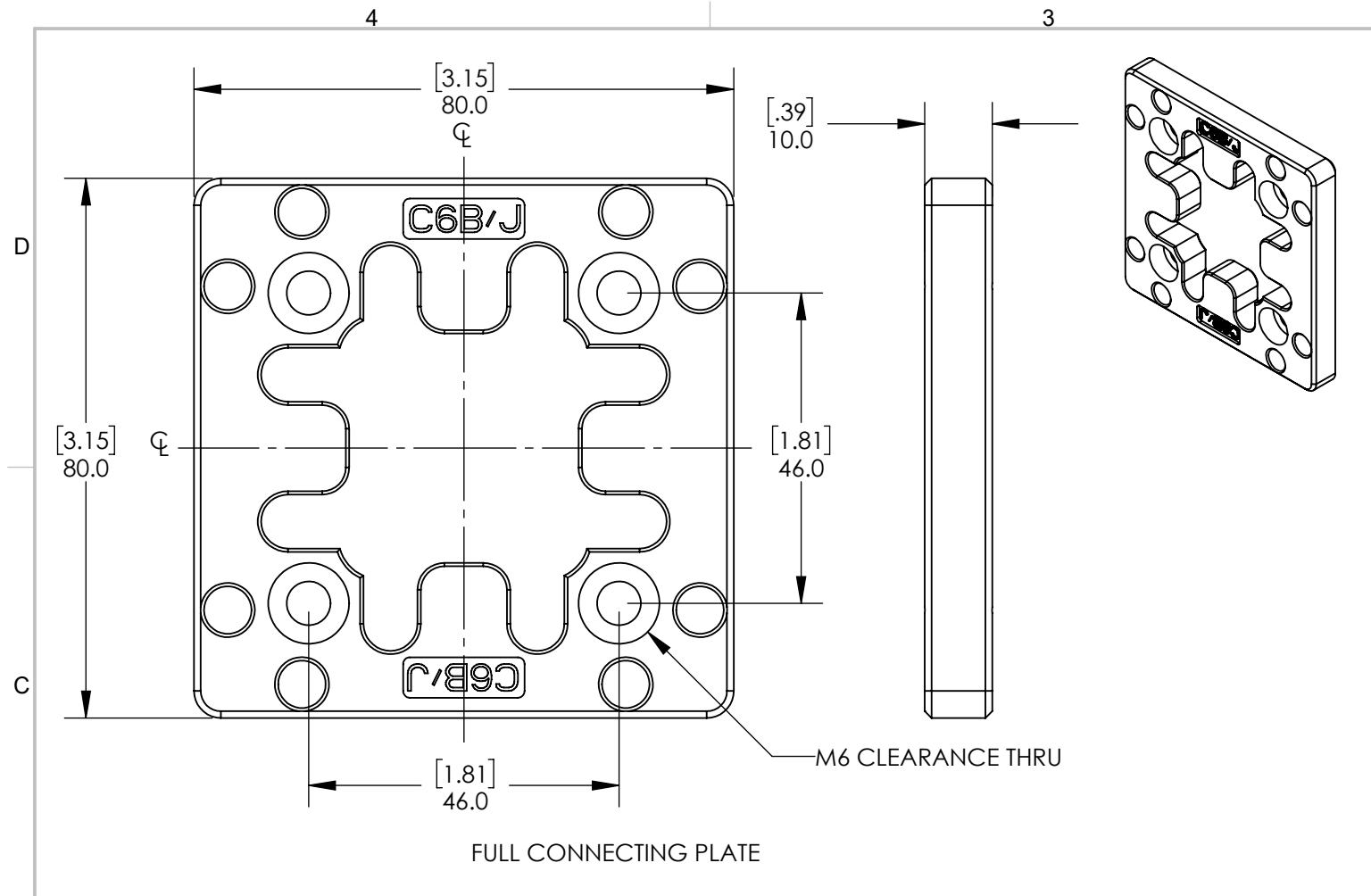
SHEET SIZE REVISION
B B

PART NO.
 -

UNLESS OTHERWISE SPECIFIED DIMENSIONS ARE IN MILLIMETERS (INCHES).

2. *MODULE AND MOUNT SHOWN FOR REFERENCE
 1. SPECIFICATIONS SUBJECT TO CHANGE WITHOUT NOTICE

NOTES: UNLESS OTHERWISE SPECIFIED.



PLANAR[®]

PLANAR SYSTEMS, INC.
6799 NE BENNETT STREET
HILLSBORO, OR 97124 USA

THIS DRAWING CONTAINS INFORMATION PROPRIETARY TO PLANAR SYSTEMS, INC. ANY REPRODUCTION IN PART OR WHOLE WITHOUT THE WRITTEN PERMISSION OF PLANAR SYSTEMS IS PROHIBITED. THIS DRAWING IS SUPPLIED FOR INFORMATION, IDENTIFICATION, ENGINEERING, EVALUATION, AND/OR INSPECTION PURPOSES ONLY AND MAY NOT BE USED AS BASIS FOR THE MANUFACTURING OF PRODUCTS OR THE DESIGN OF ANY THIRD PARTY UNLESS AUTHORIZED IN WRITING BY PLANAR SYSTEMS.

PRODUCT
Planar® Komodo™ Series LED Mount Accessory
PART NO. -

SHEET TITLE
KOMODO 0.9-1.2 MOUNT ACCESSORY

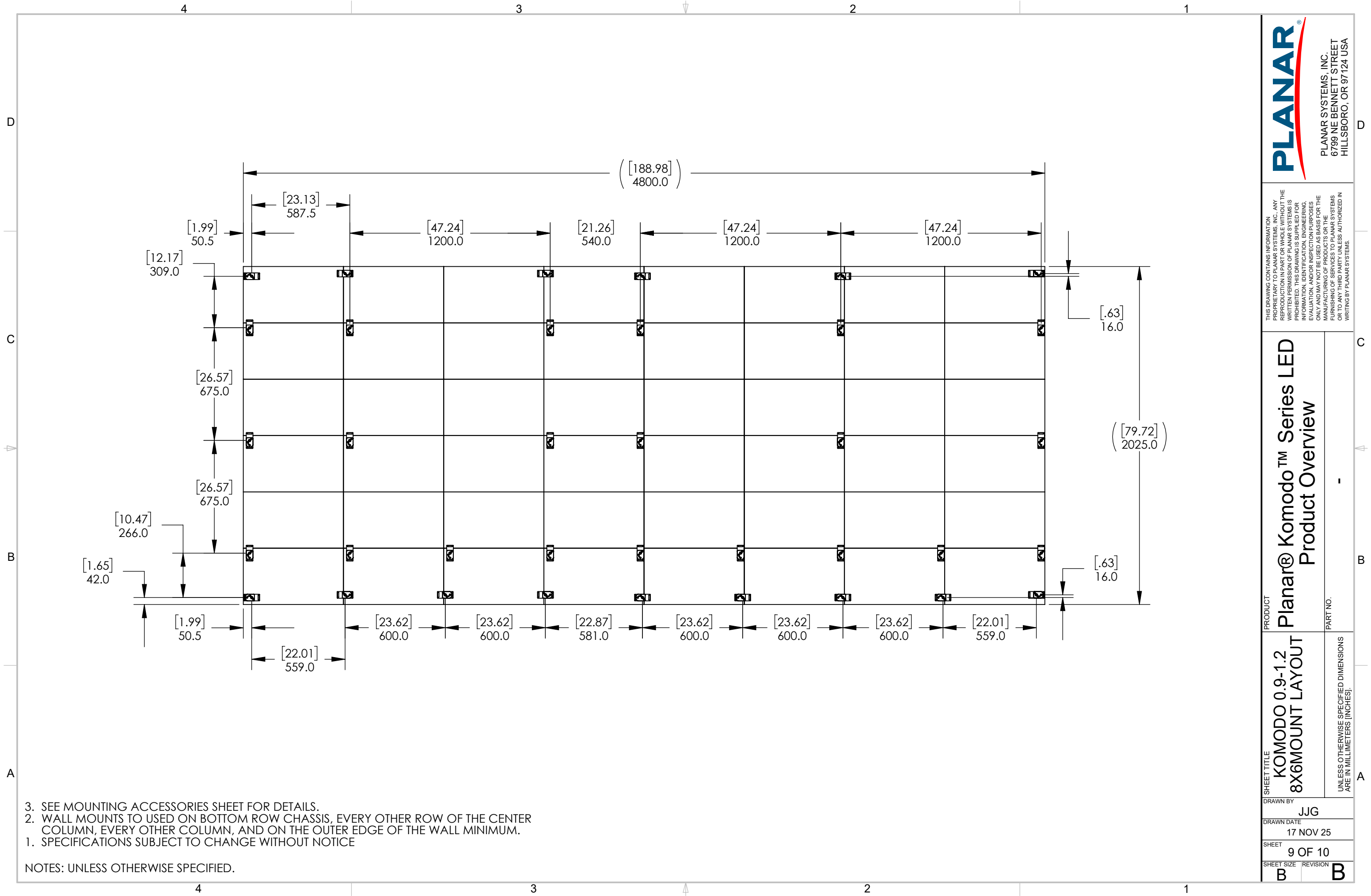
UNLESS OTHERWISE SPECIFIED DIMENSIONS ARE IN MILLIMETERS (INCHES).

DRAWN BY
JJG

DRAWN DATE
17 NOV 25

SHEET
8 OF 10

SHEET SIZE REVISION
B B



3. SEE MOUNTING ACCESSORIES SHEET FOR DETAILS.
2. WALL MOUNTS TO USED ON BOTTOM ROW CHASSIS, EVERY OTHER ROW OF THE CENTER COLUMN, EVERY OTHER COLUMN, AND ON THE OUTER EDGE OF THE WALL MINIMUM.
1. SPECIFICATIONS SUBJECT TO CHANGE WITHOUT NOTICE

NOTES: UNLESS OTHERWISE SPECIFIED.

THIS DRAWING CONTAINS INFORMATION PROPRIETARY TO PLANAR SYSTEMS, INC. ANY REPRODUCTION IN PART OR WHOLE WITHOUT THE WRITTEN PERMISSION OF PLANAR SYSTEMS IS PROHIBITED. THIS DRAWING IS SUPPLIED FOR INFORMATION, IDENTIFICATION, ENGINEERING, EVALUATION, AND/OR INSPECTION PURPOSES ONLY AND MAY NOT BE USED AS BASIS FOR THE MANUFACTURING OF PRODUCTS OR THE DESIGN OF ANY THIRD PARTY UNLESS AUTHORIZED IN WRITING BY PLANAR SYSTEMS.

PRODUCT
Planar® Komodo™ Series LED
Product Overview

PART NO. -

SHEET TITLE
KOMODO 0.9-1.2
8X6 MOUNT LAYOUT

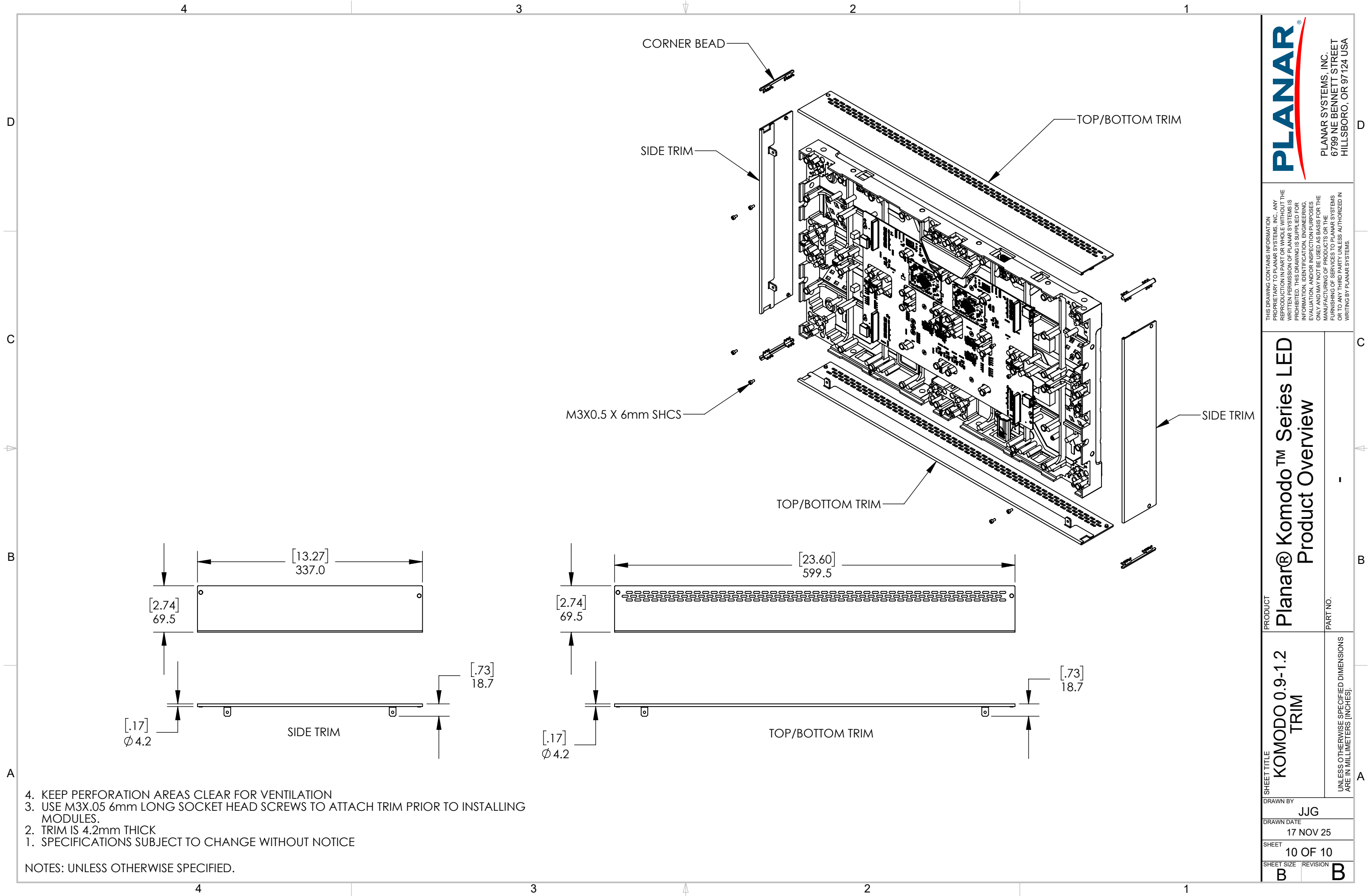
UNLESS OTHERWISE SPECIFIED DIMENSIONS ARE IN MILLIMETERS (INCHES).

DRAWN BY
JJG

DRAWN DATE
17 NOV 25

SHEET
9 OF 10

SHEET SIZE REVISION
B B



CORNER BEAD

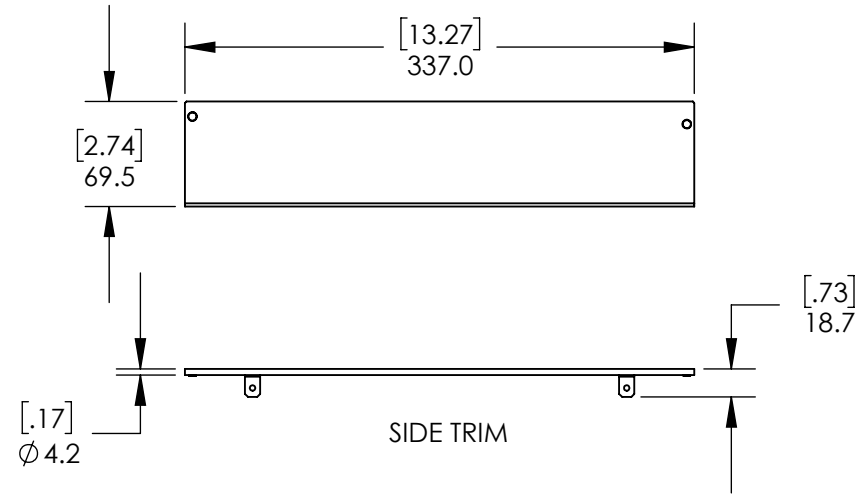
SIDE TRIM

TOP/BOTTOM TRIM

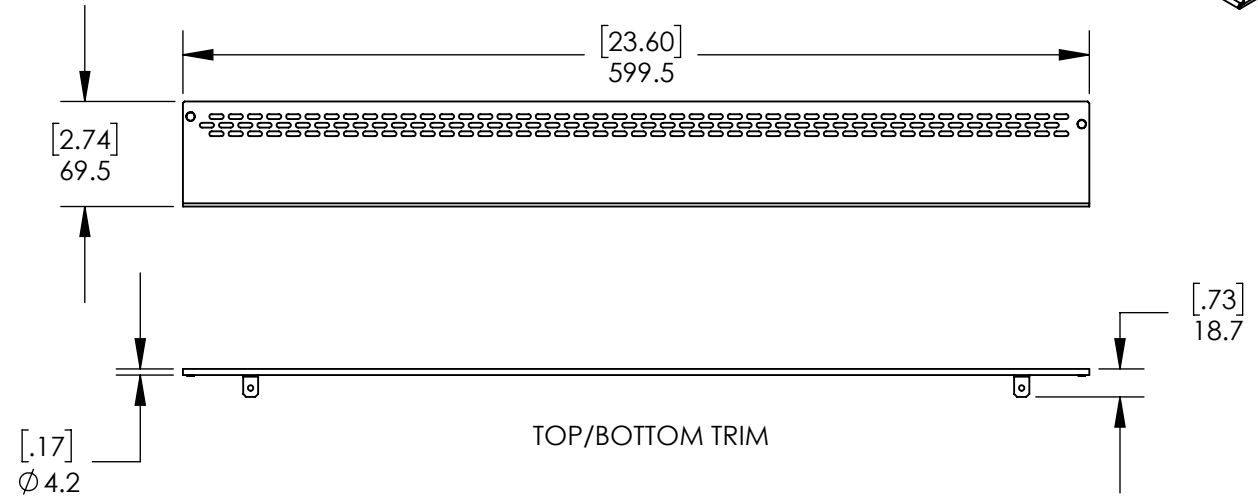
M3X0.5 X 6mm SHCS

TOP/BOTTOM TRIM

SIDE TRIM



SIDE TRIM



TOP/BOTTOM TRIM

4. KEEP PERFORATION AREAS CLEAR FOR VENTILATION
3. USE M3X.05 6mm LONG SOCKET HEAD SCREWS TO ATTACH TRIM PRIOR TO INSTALLING MODULES.
2. TRIM IS 4.2mm THICK
1. SPECIFICATIONS SUBJECT TO CHANGE WITHOUT NOTICE

NOTES: UNLESS OTHERWISE SPECIFIED.

PLANAR

PLANAR SYSTEMS, INC.
6799 NE BENNETT STREET
HILLSBORO, OR 97124 USA

THIS DRAWING CONTAINS INFORMATION PROPRIETARY TO PLANAR SYSTEMS, INC. ANY REPRODUCTION IN PART OR WHOLE WITHOUT THE WRITTEN PERMISSION OF PLANAR SYSTEMS IS PROHIBITED. THIS DRAWING IS SUPPLIED FOR INFORMATION, IDENTIFICATION, ENGINEERING, EVALUATION, AND/OR INSPECTION PURPOSES ONLY AND MAY NOT BE USED AS BASIS FOR THE MANUFACTURING OF PRODUCTS OR THE REPAIR OF PRODUCTS UNLESS AUTHORIZED IN WRITING BY PLANAR SYSTEMS.

PRODUCT
Planar® Komodo™ Series LED
Product Overview

SHEET TITLE
KOMODO 0.9-1.2
TRIM

DRAWN BY
JJG

DRAWN DATE
17 NOV 25

SHEET
10 OF 10

SHEET SIZE REVISION
B B

PART NO.
-
UNLESS OTHERWISE SPECIFIED DIMENSIONS ARE IN MILLIMETERS (INCHES).