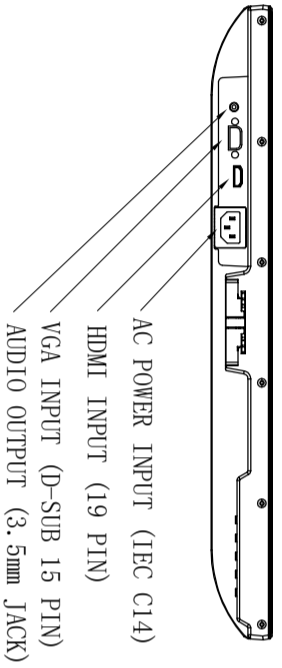
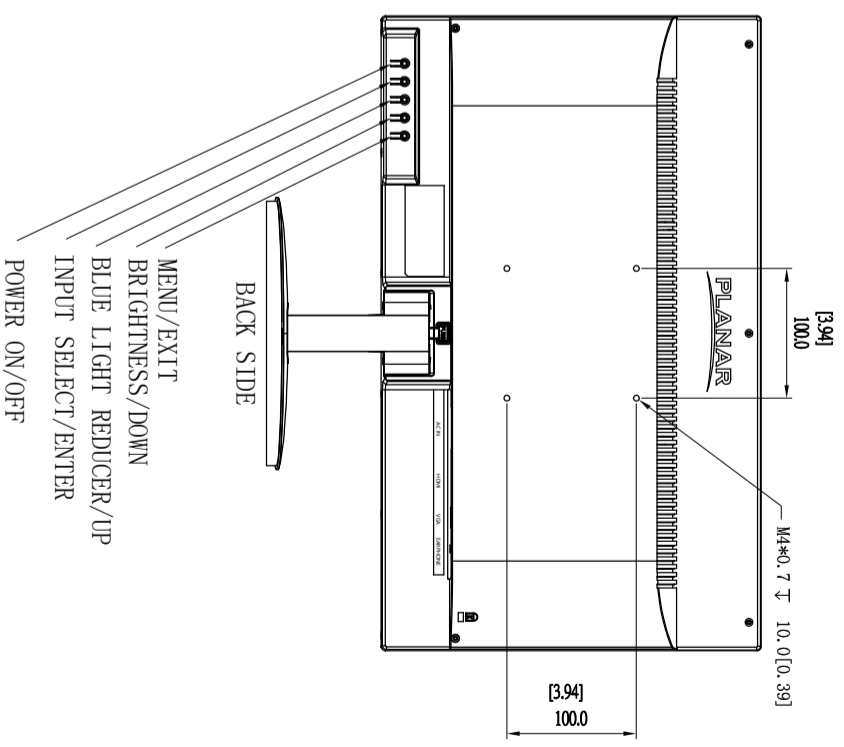
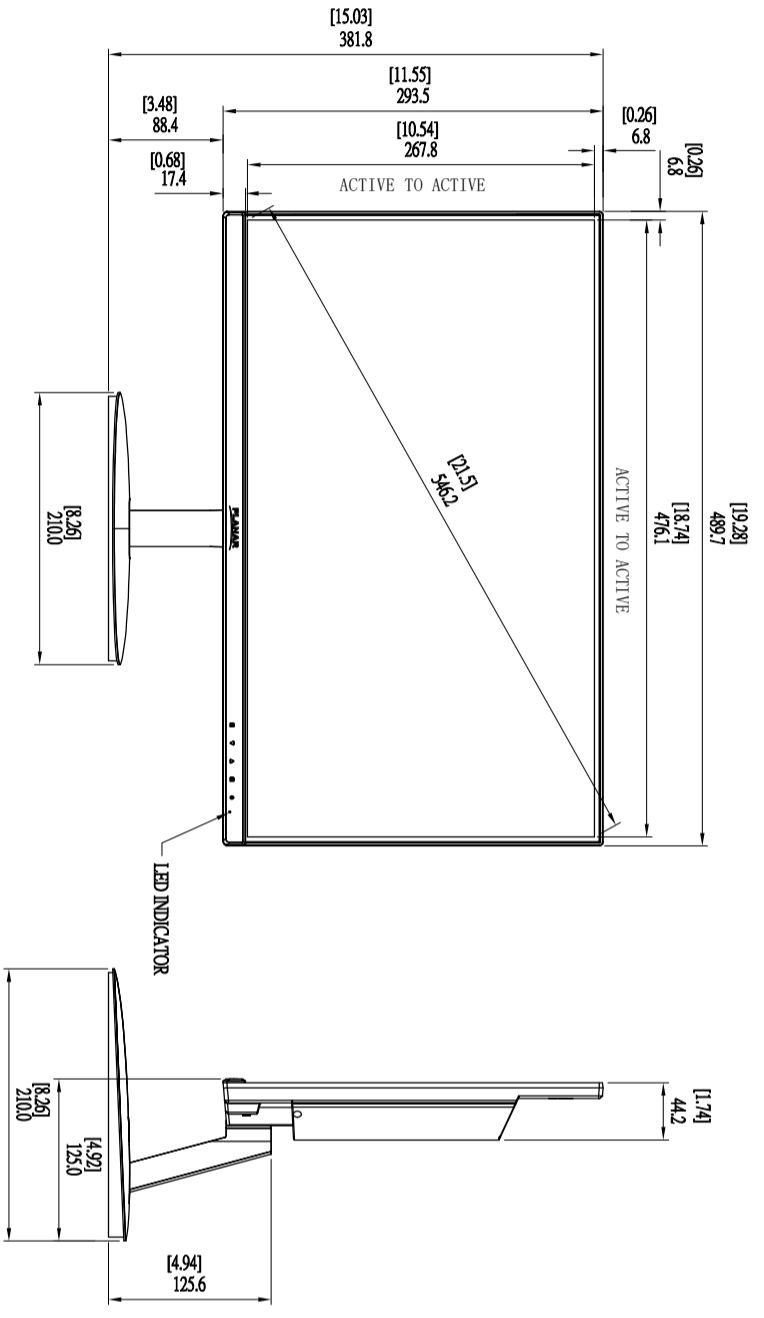
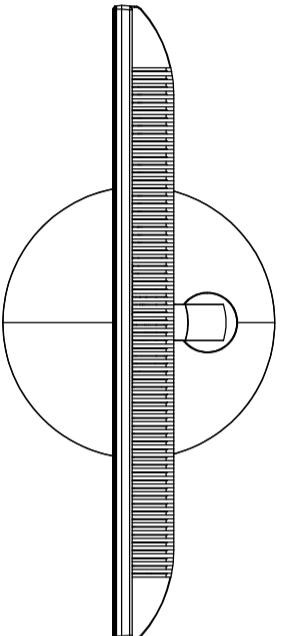


REVISION HISTORY				DATE	APP'D
ECD	ZONE	REV.	DESCRIPTION		



STAND REMOVED FOR CLARITY

1. SPECIFICATIONS SUBJECT TO CHANGE WITHOUT NOTICE.  
 NOTES: UNLESS OTHERWISE SPECIFIED.

<p><b>SP</b> UNLESS OTHERWISE SPECIFIED DIMENSIONS ARE IN MILLIMETERS DIMENSIONS</p>		<p>FORM BY</p>
<p>TOLERANCES</p>		<p>DRAWN BY</p>
X= ±1	X/2= ±.25	CHECKED BY
X= ±.5	L = ±1*	USED IN
<p>DIMENSIONS AND TOLERANCES PER ASME Y14.5M-1994</p>		<p>FINISH</p>
<p>THIRD ANGLE PROJECTION</p>		<p>TITLE</p>
<p>PLANAR</p>		<p>PLN2200</p>
<p>PLANAR SYSTEMS, INC.        1195 MC COMPTON DRIVE        BEAVERTON, OR 97008, USA</p>		<p>SIZE</p>
C	998-2942-01	998-2942-01
SCALE	1:5	DO NOT SCALE
		SHEET
		1 OF 1

THE DRAWING CONTAINS INFORMATION PROPRIETARY TO PLANAR SYSTEMS, INC. AND IS INTENDED FOR THE EXCLUSIVE USE OF PLANAR SYSTEMS, INC. ANY REPRODUCTION OR DISSEMINATION OF THIS DRAWING TO ANY OTHER PARTY WITHOUT THE WRITTEN PERMISSION OF PLANAR SYSTEMS, INC. IS PROHIBITED. THIS DRAWING IS SHOWN FOR INFORMATIONAL PURPOSES ONLY AND DOES NOT REPRESENT THE MANUFACTURED PRODUCT OR THE PERFORMANCE OF SERVICES BY PLANAR SYSTEMS, INC. OR ANY OTHER PARTY UNLESS OTHERWISE SPECIFIED BY PLANAR SYSTEMS, INC.