

THIS DRAWING CONTAINS INFORMATION PROPRIETARY TO LEYARD & PLANAR. ANY REPRODUCTION IN PART OR WHOLE WITHOUT THE WRITTEN PERMISSION OF LEYARD & PLANAR IS PROHIBITED. THIS DRAWING IS SUPPLIED FOR INFORMATION, IDENTIFICATION, ENGINEERING, EVALUATION, AND/OR INSPECTION PURPOSES ONLY AND MAY NOT BE USED AS BASIS FOR THE MANUFACTURING OF PRODUCTS OR THE FURNISHING OF SERVICES TO LEYARD & PLANAR OR TO ANY THIRD PARTY UNLESS AUTHORIZED IN WRITING BY LEYARD & PLANAR.

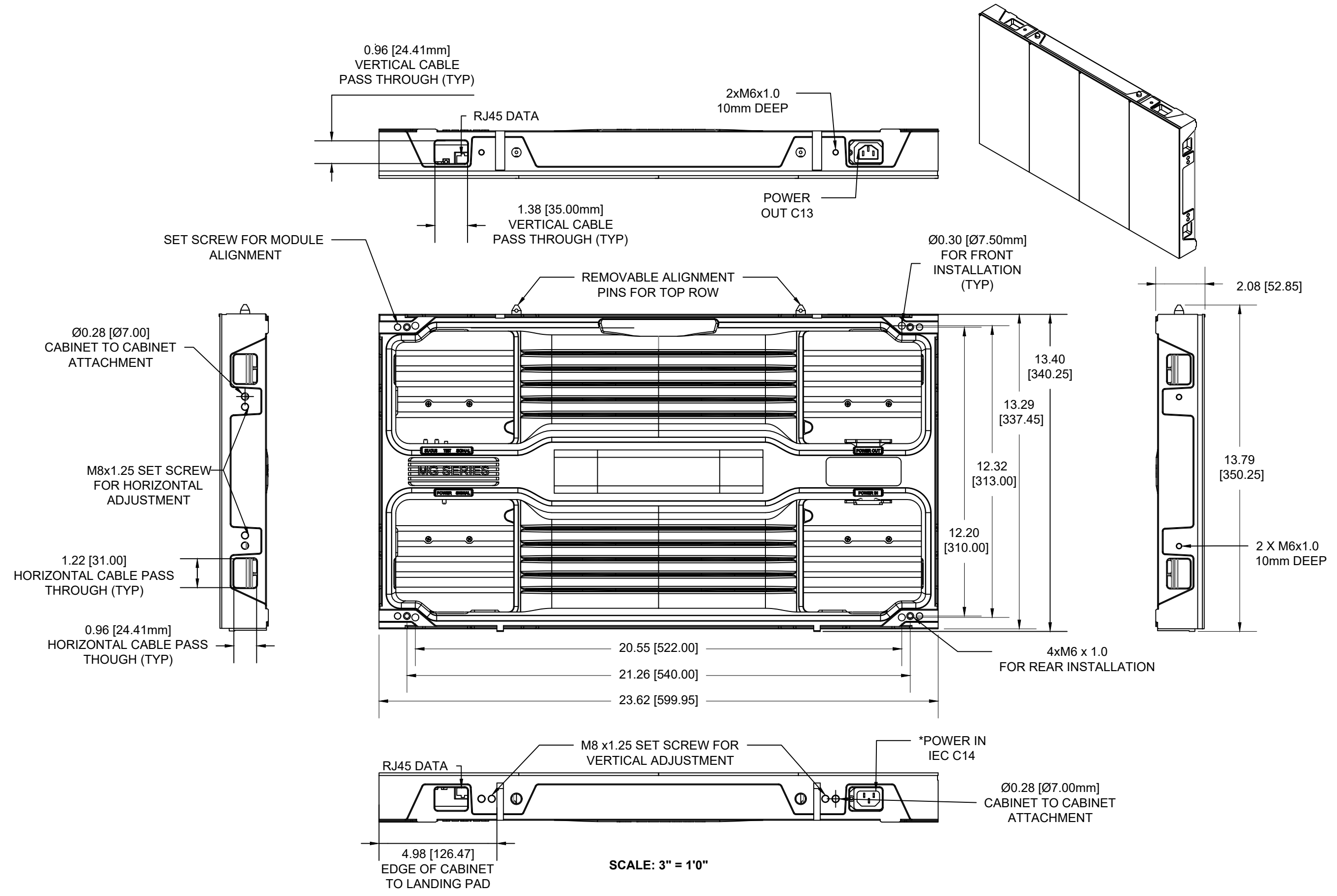
PROJECT: PLANAR® MGP

REVISIONS:

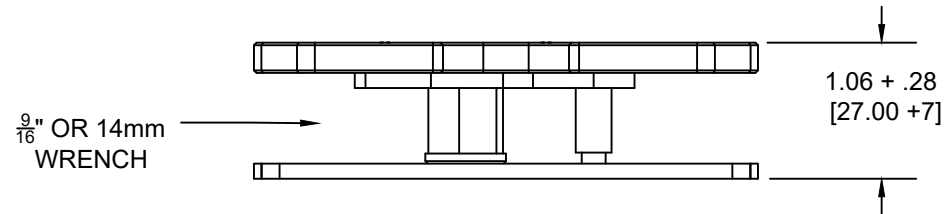
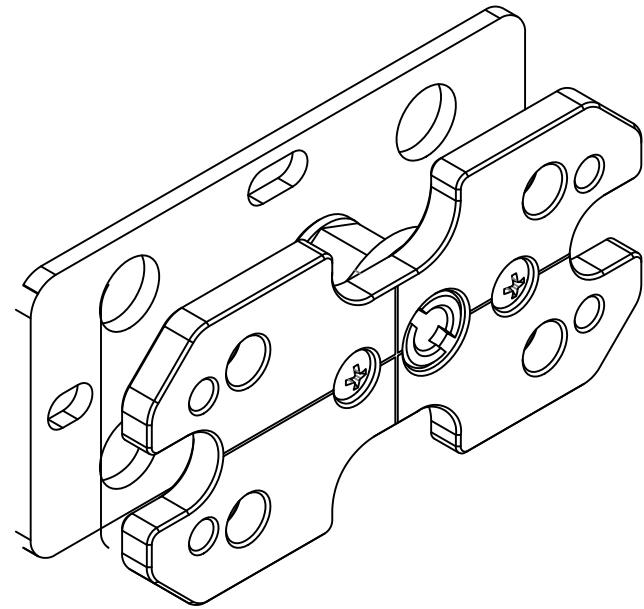
REV	DATE	DESCRIPTION

SHEET TITLE: CABINET DETAIL

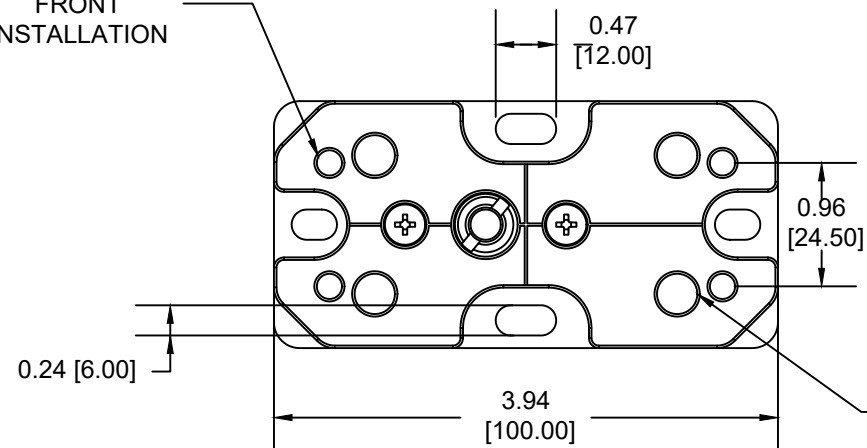
DRAWN BY: REP  
 DATE: 5/21/21  
 PHASE: FOR REVIEW  
 DRAWING NUMBER: PL-1  
 REV: SIZE: B



- NOTES:
- SPECIFICATIONS SUBJECT TO CHANGE WITHOUT NOTICE.
  - DIMENSIONS IN INCHES [MM] UNLESS OTHERWISE SPECIFIED.
  - \*110-240V, 10A MAXIMUM INPUT
  - FROM FILE '600X337.5 MG ASSEMBLY' RECEIVED 3/11/2021, EDITED BY REP

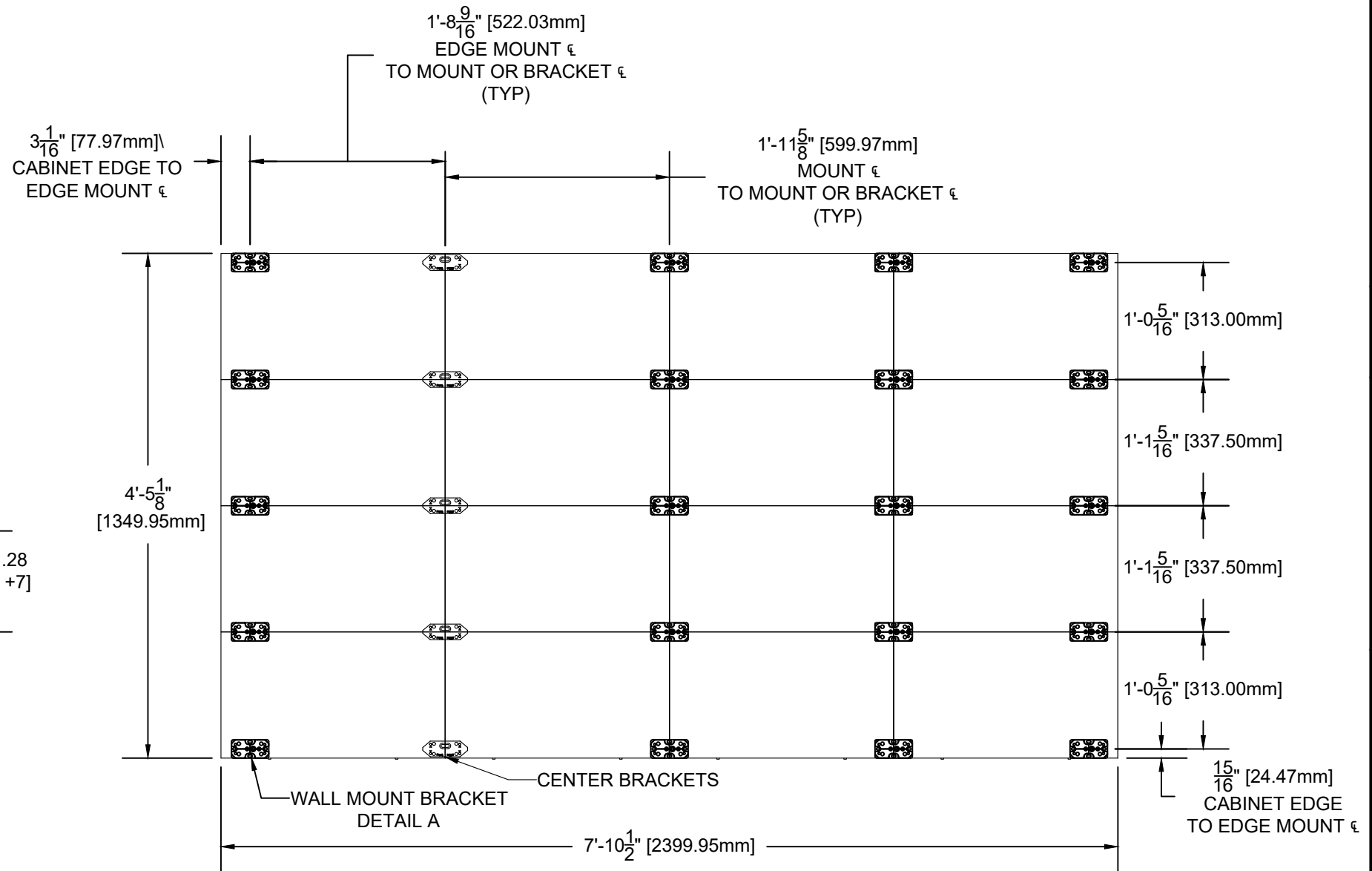
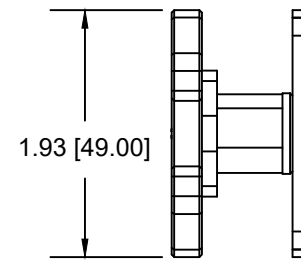


FRONT INSTALLATION



DETAIL A  
SCALE= 1:1

REAR INSTALLATION



- NOTES:
1. SPECIFICATIONS SUBJECT TO CHANGE WITHOUT NOTICE.
  2. DIMENSIONS IN INCHES [MM] UNLESS OTHERWISE SPECIFIED.
  3. ENSURE THE DISPLAYS ARE MOUNTED FLAT, LEVEL AND PLUMB.
  4. FROM FILE '43312042800R00 MG...' RECEIVED 4/12/2021, EDITED BY REP

THIS DRAWING CONTAINS INFORMATION PROPRIETARY TO LEYARD & PLANAR. ANY REPRODUCTION IN PART OR WHOLE WITHOUT THE WRITTEN PERMISSION OF LEYARD & PLANAR IS PROHIBITED. THIS DRAWING IS SUPPLIED FOR INFORMATION, IDENTIFICATION, ENGINEERING, EVALUATION AND/OR INSPECTION PURPOSES ONLY AND MAY NOT BE USED AS BASIS FOR THE MANUFACTURE OF PRODUCTS OR THE FURNISHING OF SERVICES TO LEYARD & PLANAR OR TO ANY THIRD PARTY UNLESS AUTHORIZED IN WRITING BY LEYARD & PLANAR.

PROJECT: PLANAR® MGP

REVISIONS:	DESCRIPTION:
REV	DATE

SHEET TITLE: FRONT INSTALLATION DETAILS

DRAWN BY: REP  
DATE: 5/21/21  
PHASE: FOR REVIEW  
DRAWING NUMBER: PL-3  
REV: SIZE: B

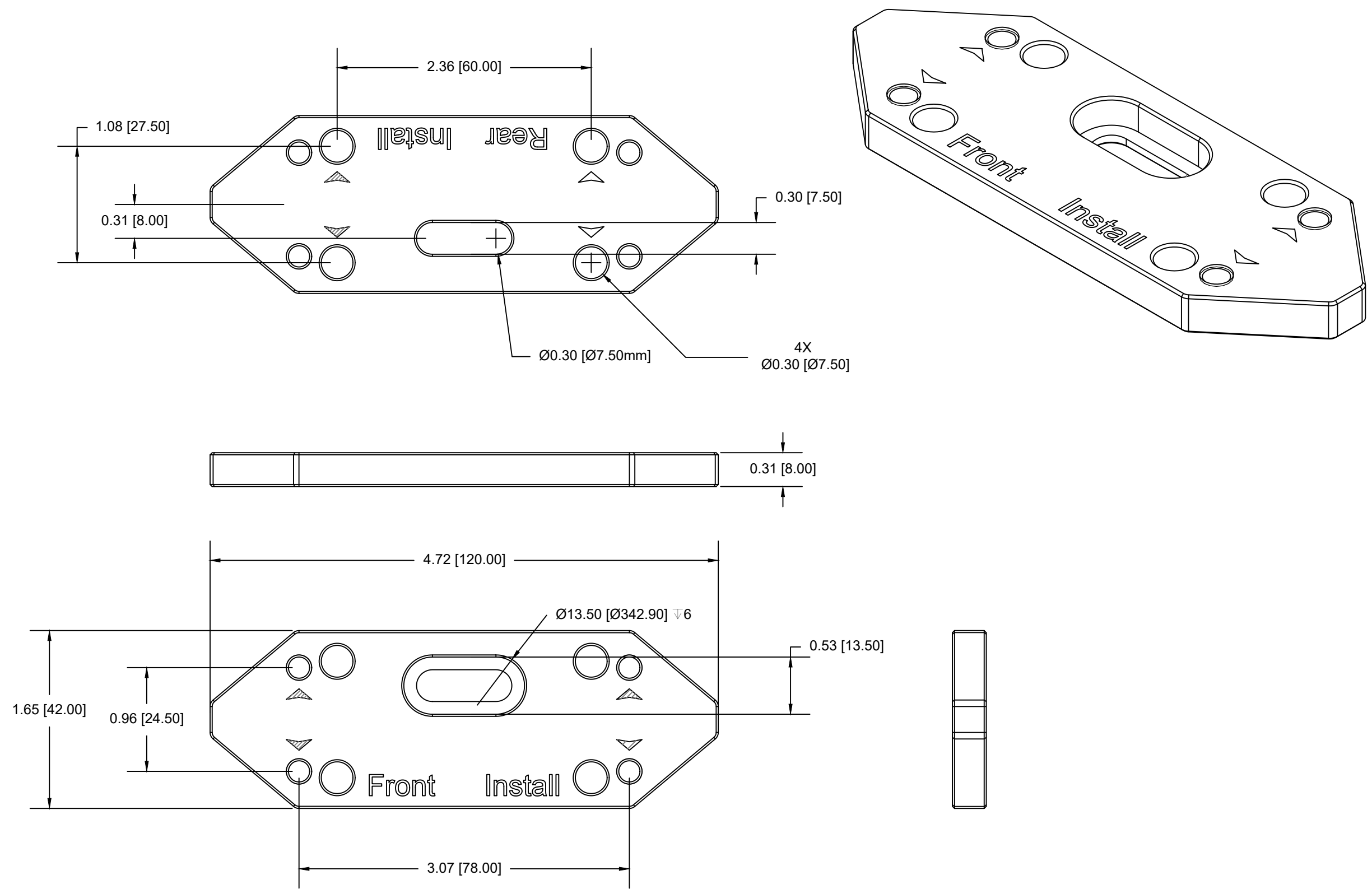
THIS DRAWING CONTAINS INFORMATION PROPRIETARY TO LEVARD & PLANAR. ANY REPRODUCTION IN PART OR WHOLE WITHOUT THE WRITTEN PERMISSION OF LEVARD & PLANAR IS PROHIBITED. THIS DRAWING IS SUPPLIED FOR INFORMATION, IDENTIFICATION, ENGINEERING EVALUATION, AND/OR INSPECTION PURPOSES ONLY AND MAY NOT BE USED AS BASIS FOR THE MANUFACTURING OF PRODUCTS OR THE FURNISHING OF SERVICES TO LEVARD & PLANAR OR TO ANY THIRD PARTY UNLESS AUTHORIZED IN WRITING BY LEVARD & PLANAR.

PROJECT: **PLANAR<sup>®</sup> MGP**

REV.	DATE	DESCRIPTION

SHEET TITLE: **CENTER BRACKET  
DETAIL**

DRAWN BY: **REP**  
 DATE: **5/21/21**  
 PHASE: **FOR REVIEW**  
 DRAWING NUMBER: **PL-3**  
 REV:  SIZE: **B**



NOTES:  
 1. SPECIFICATIONS SUBJECT TO CHANGE WITHOUT NOTICE.  
 2. DIMENSIONS IN INCHES [MM] UNLESS OTHERWISE SPECIFIED.  
 3. FROM FILE '43312042800R00 MG...' RECEIVED 4/12/2021, EDITED BY REP

SCALE= 1:1