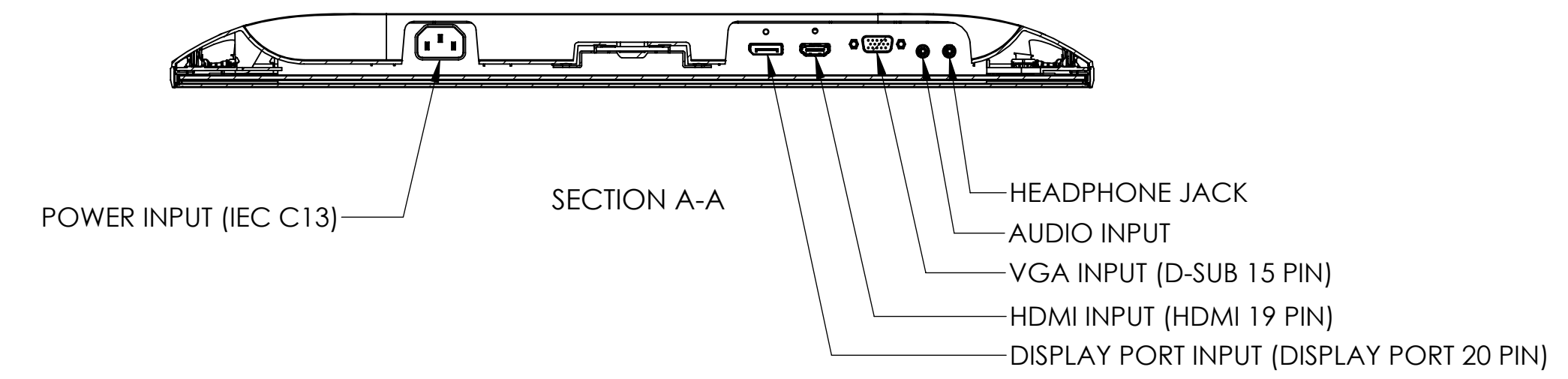
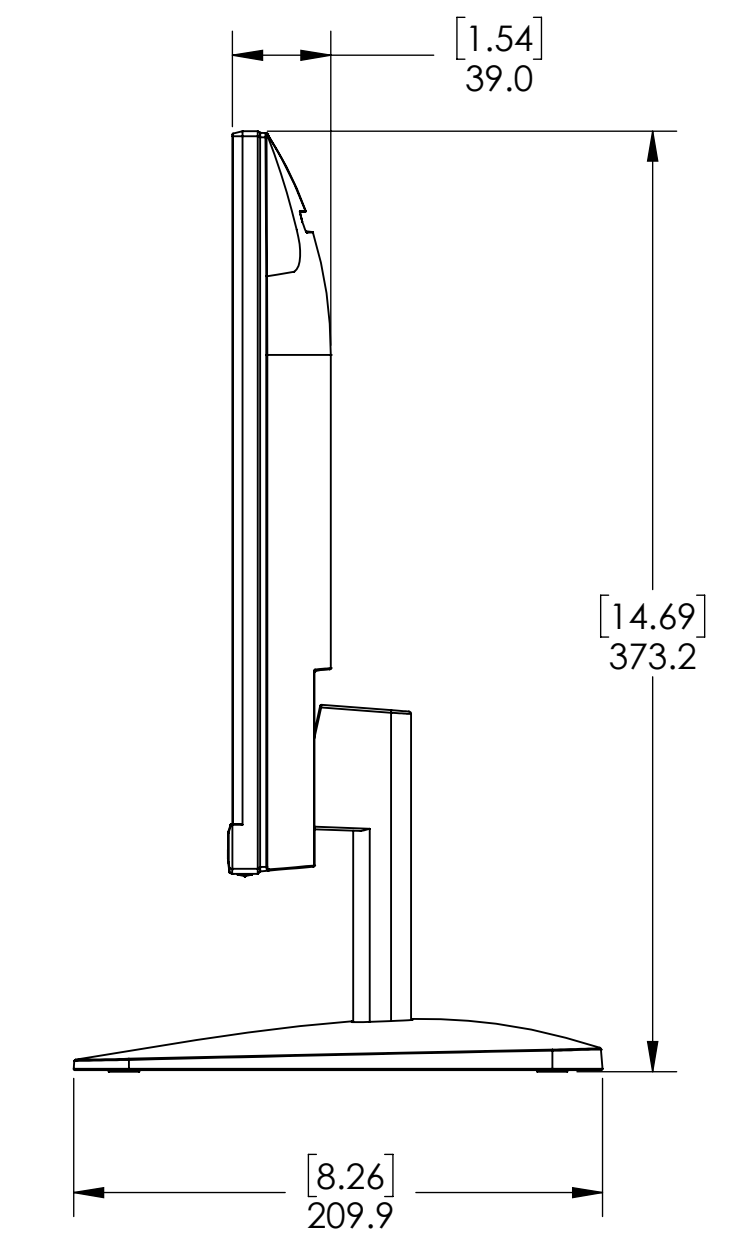
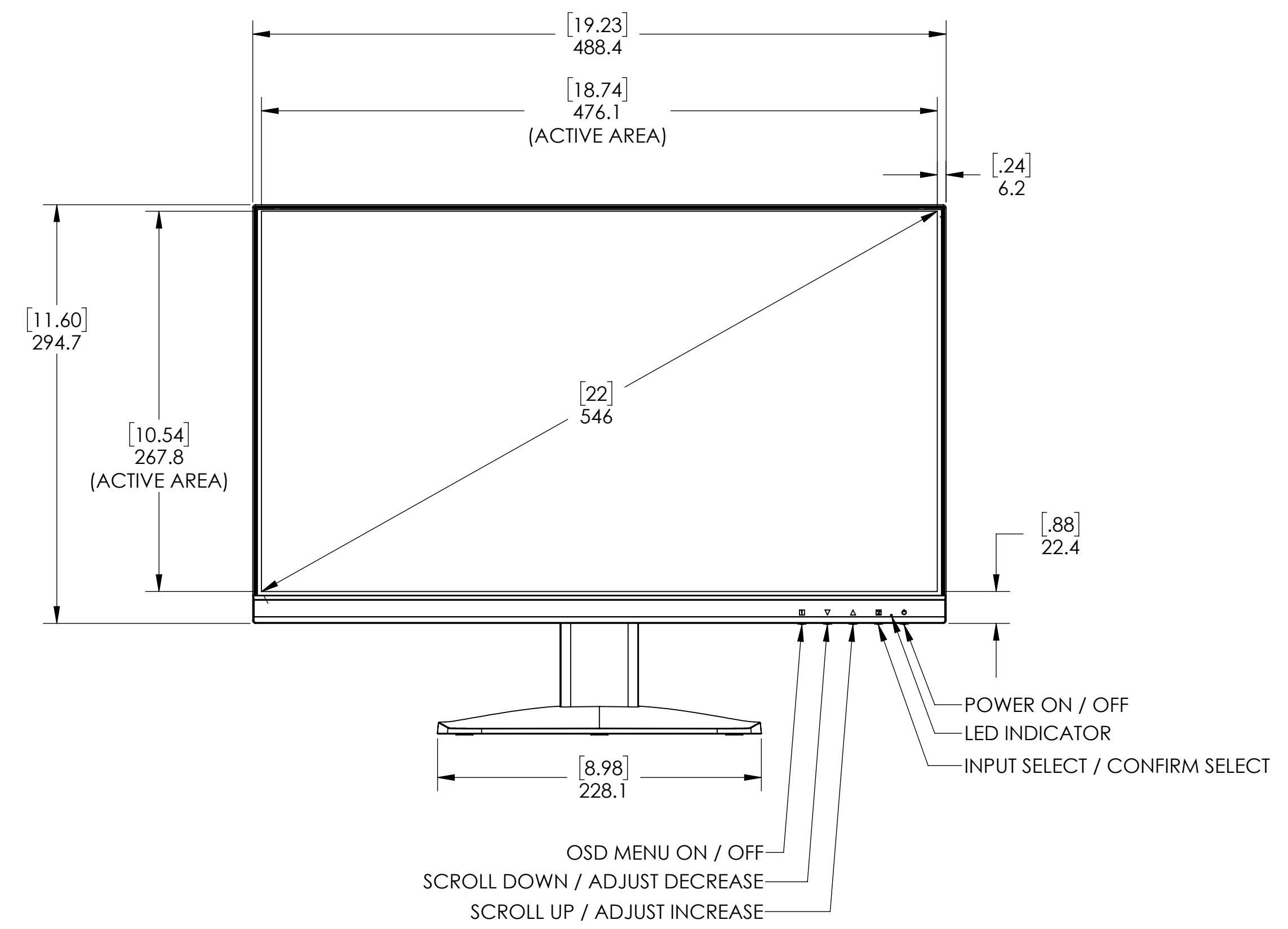
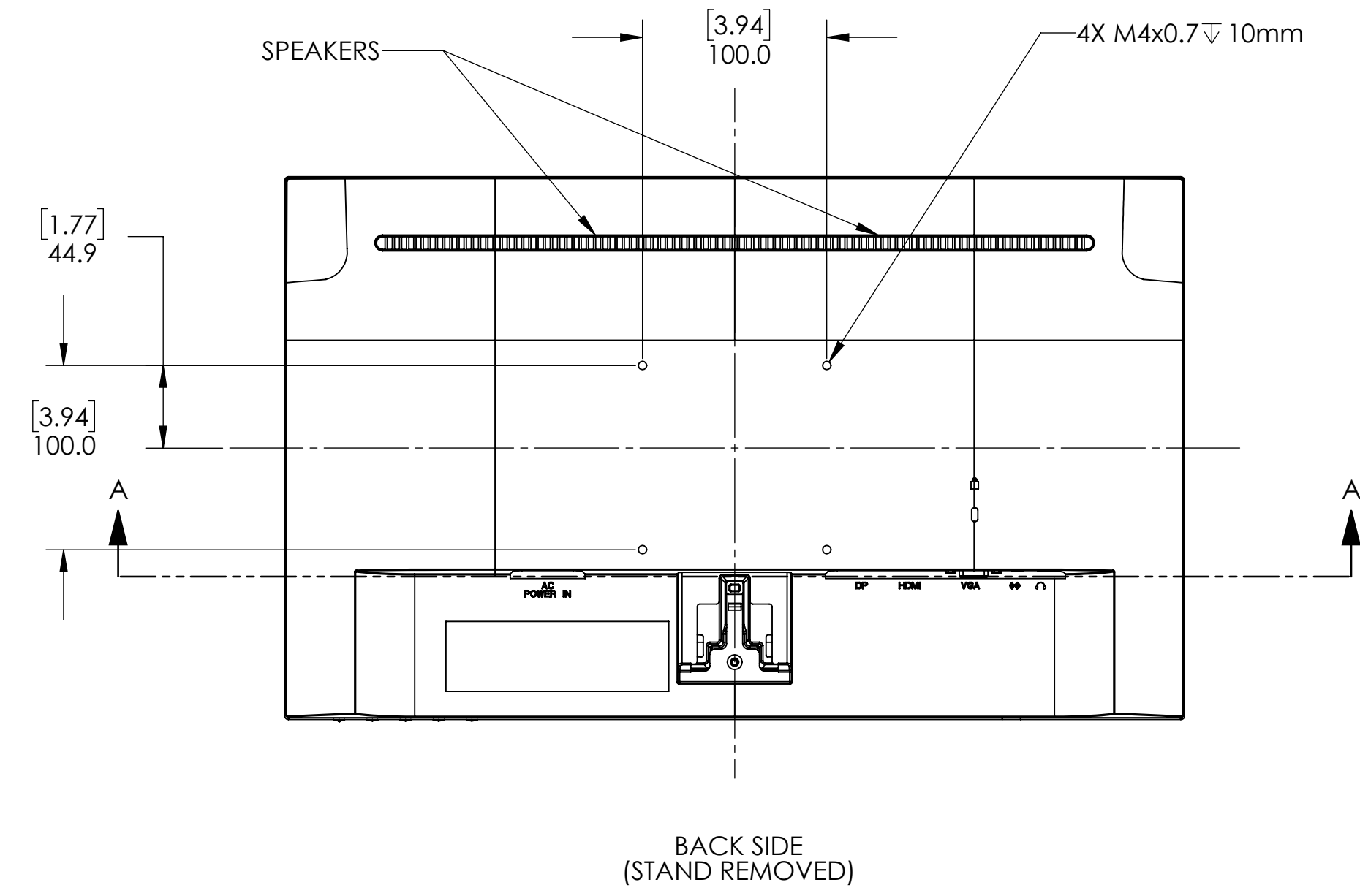


REVISION HISTORY					
ECO	ZONE	REV.	DESCRIPTION	DATE	APPR'D



1. SPECIFICATIONS SUBJECT TO CHANGE WITHOUT NOTICE.
NOTES: UNLESS OTHERWISE SPECIFIED.

UNLESS OTHERWISE SPECIFIED: DIMENSIONS ARE IN MILLIMETERS (INCHES)		ENGR BY		 PLANAR SYSTEMS, INC. 1195 NE COMPTON DRIVE HILLSBORO, OR 97006 USA
TOLERANCES:		DRAWN BY	DAM	
X= ±1	XX= ±.25	CHECKED BY	10SEP20	TITLE
.X= ±.5	∠= ±1°	USED ON		PXN2200
DIMENSIONING AND TOLERANCING PER ASME Y14.5M-1994		MATERIAL		SIZE
THIRD ANGLE PROJECTION		FINISH		D 998-2120-00
				PART NO
				998-2120-00
				DRAWING NO
				998-2120-00
				REV
				A
				SCALE
				1:3
				DO NOT SCALE
				SHEET
				1 OF 1

THIS DRAWING CONTAINS INFORMATION PROPRIETARY TO PLANAR SYSTEMS, INC. ANY REPRODUCTION IN PART OR WHOLE WITHOUT THE WRITTEN PERMISSION OF PLANAR SYSTEMS, INC. IS PROHIBITED. THIS DRAWING IS SUPPLIED FOR INFORMATION, IDENTIFICATION, ENGINEERING, EVALUATION, AND/OR INSPECTION PURPOSES ONLY AND MAY NOT BE USED AS BASIS FOR THE MANUFACTURING OF PRODUCTS OR THE FURNISHING OF SERVICES TO PLANAR SYSTEMS OR TO ANY THIRD PARTY UNLESS AUTHORIZED IN WRITING BY PLANAR SYSTEMS.