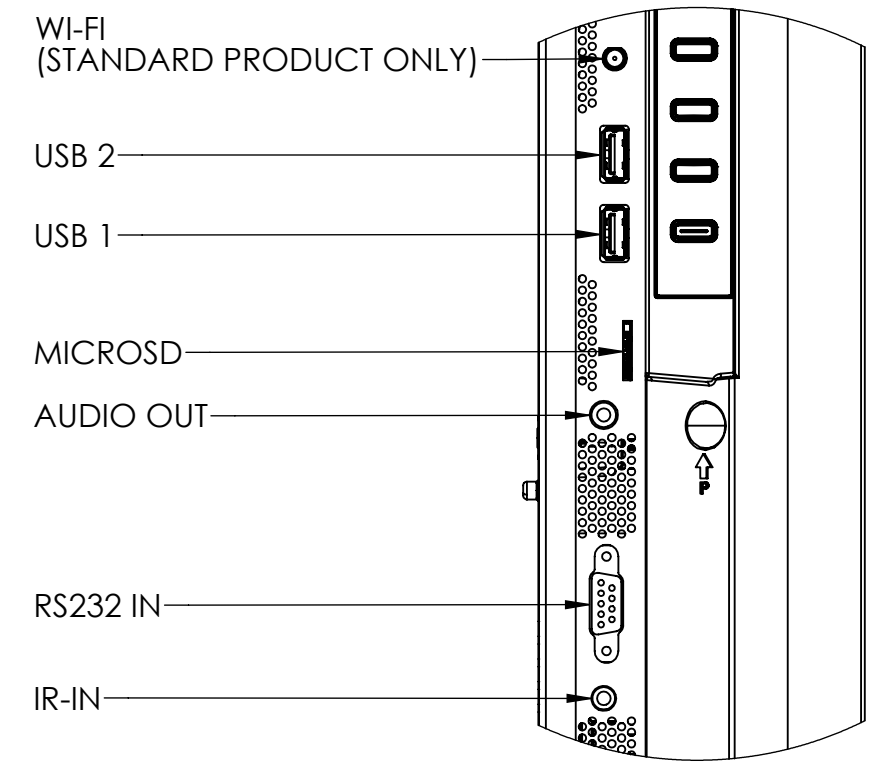
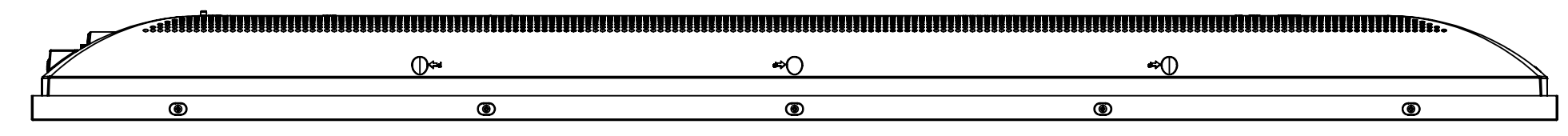
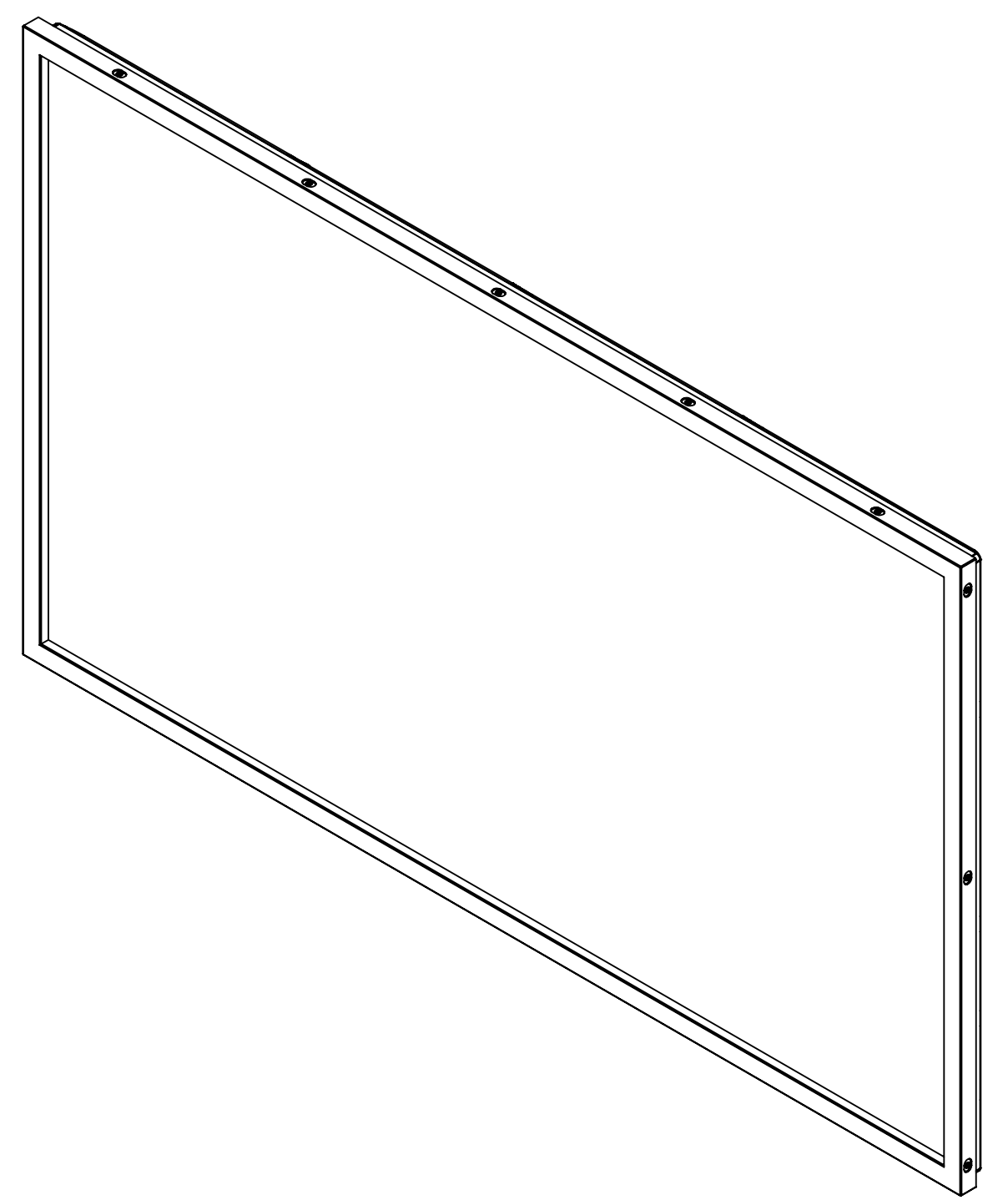


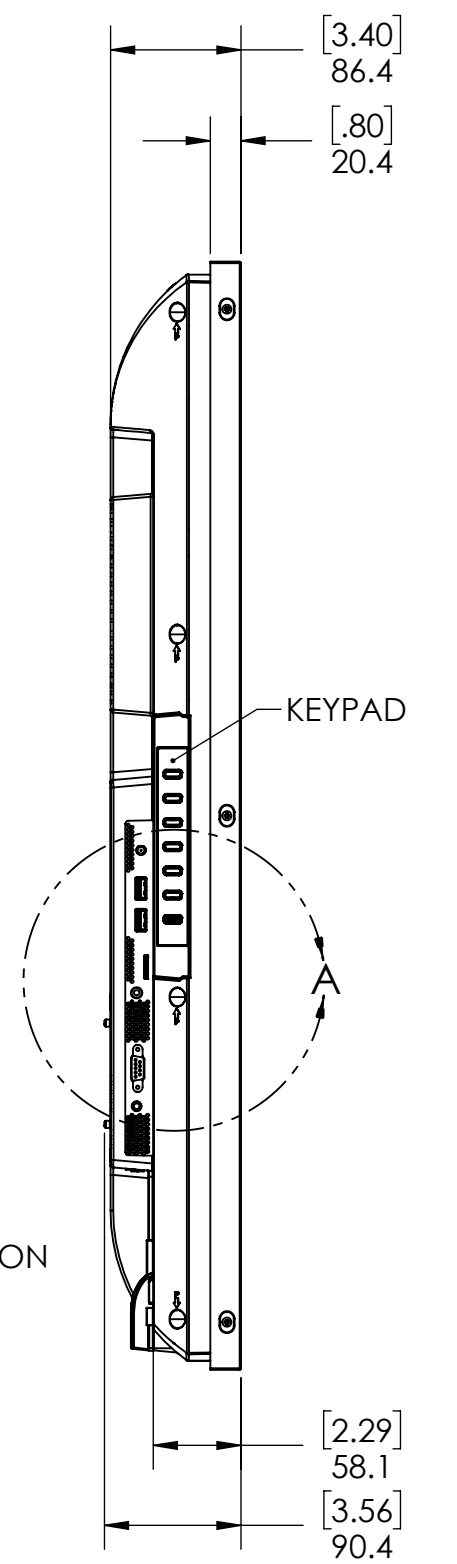
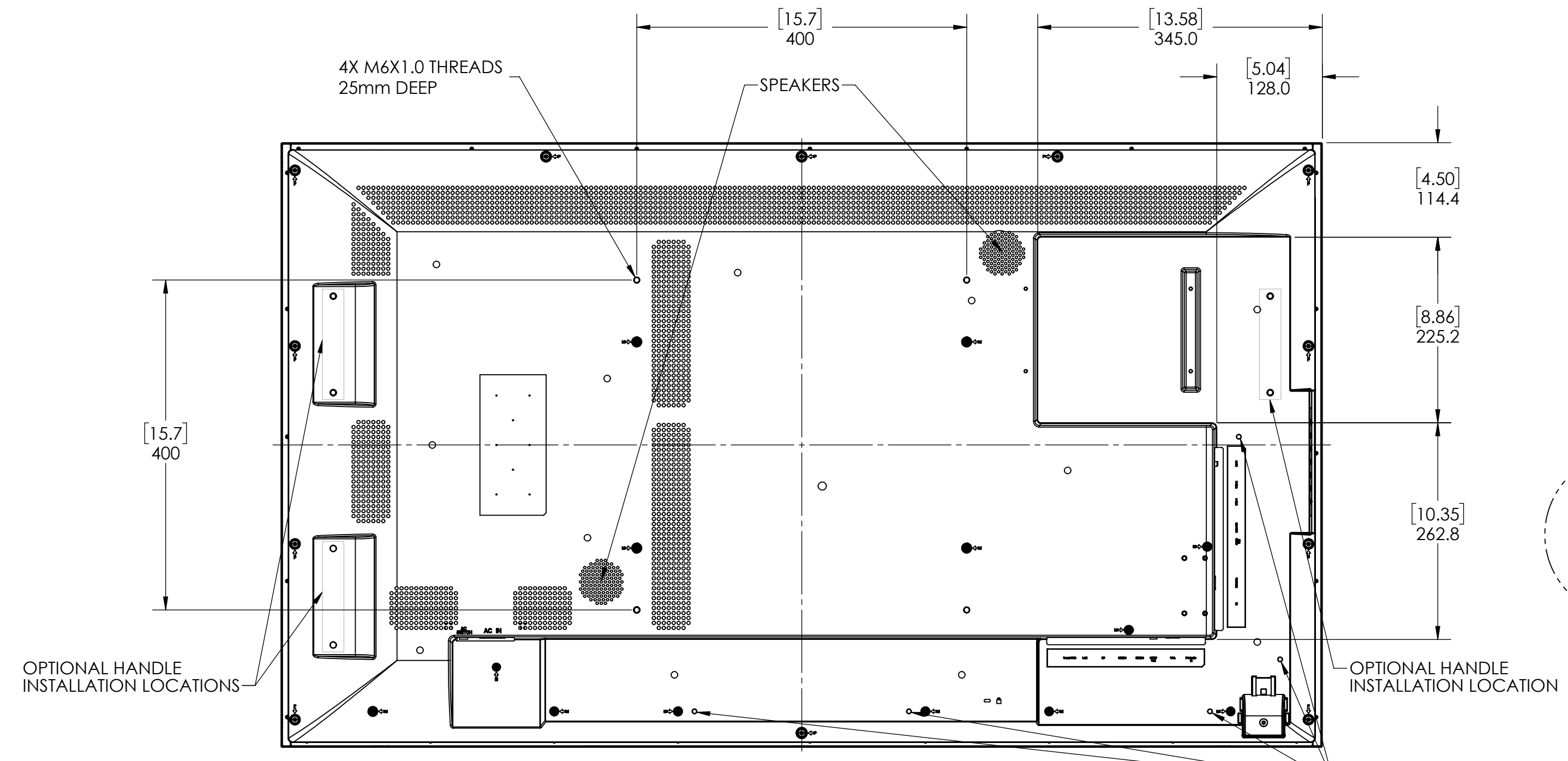
REVISION HISTORY					
ECO	ZONE	REV.	DESCRIPTION	DATE	APPR'D
		B	UPDATED TO INCLUDE -N MODEL	7/28/2020	DAM



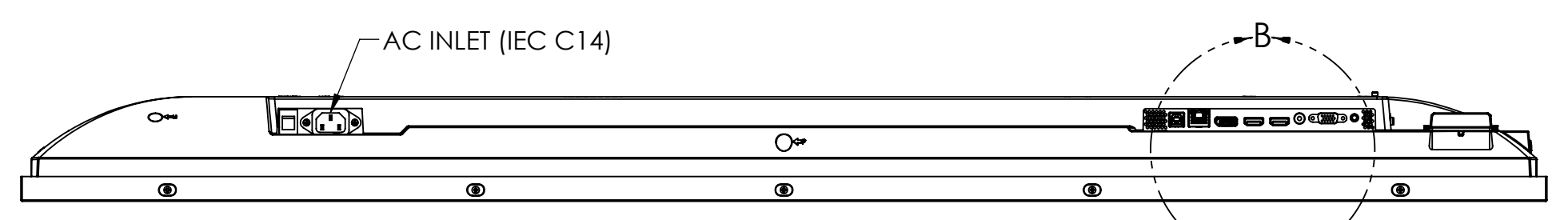
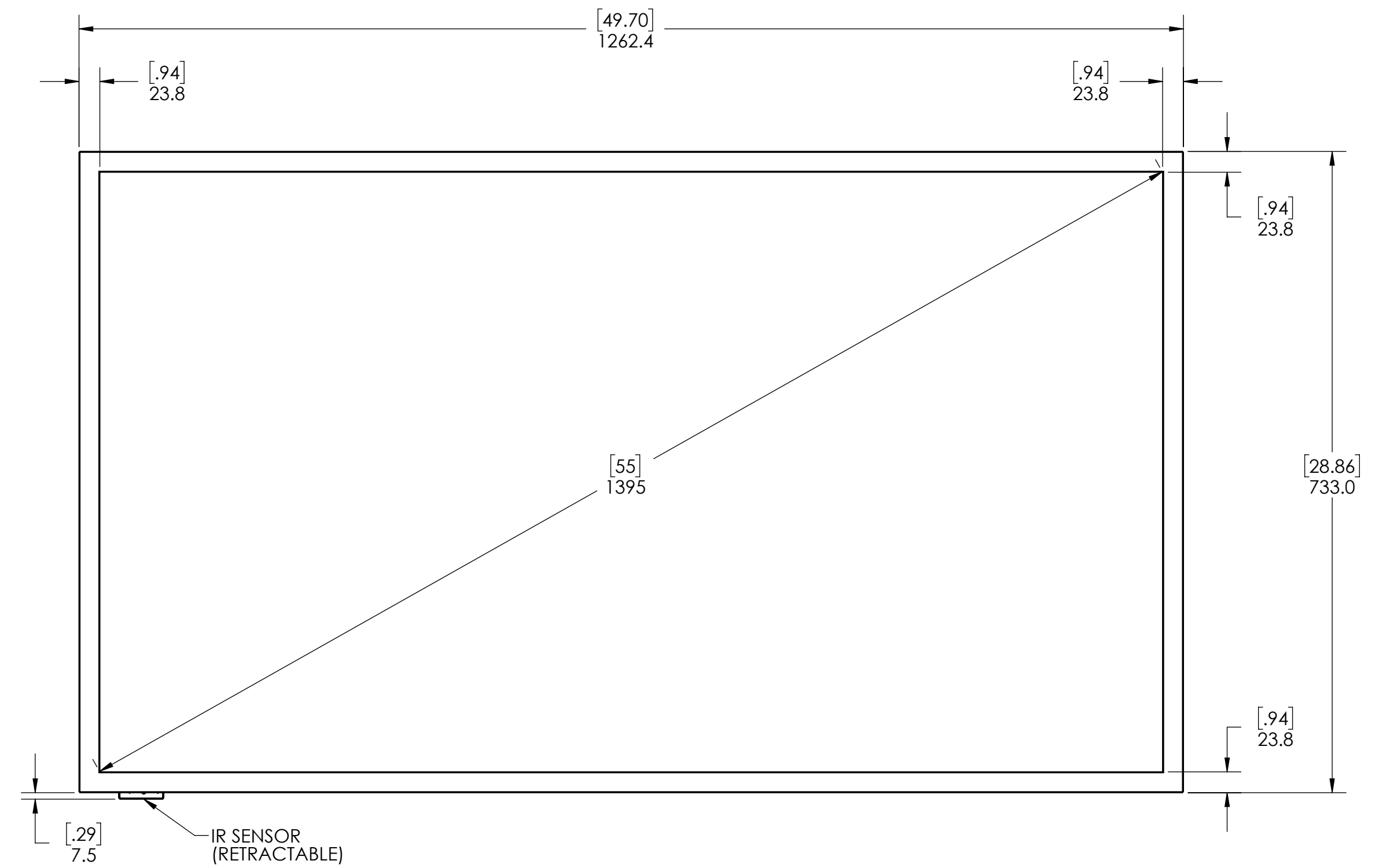
DETAIL A
SCALE 1 : 2



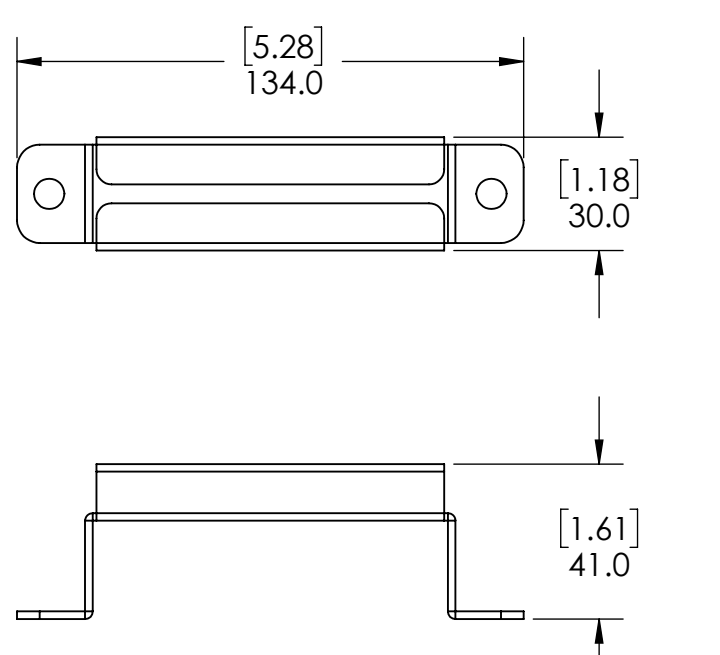
TOP VIEW



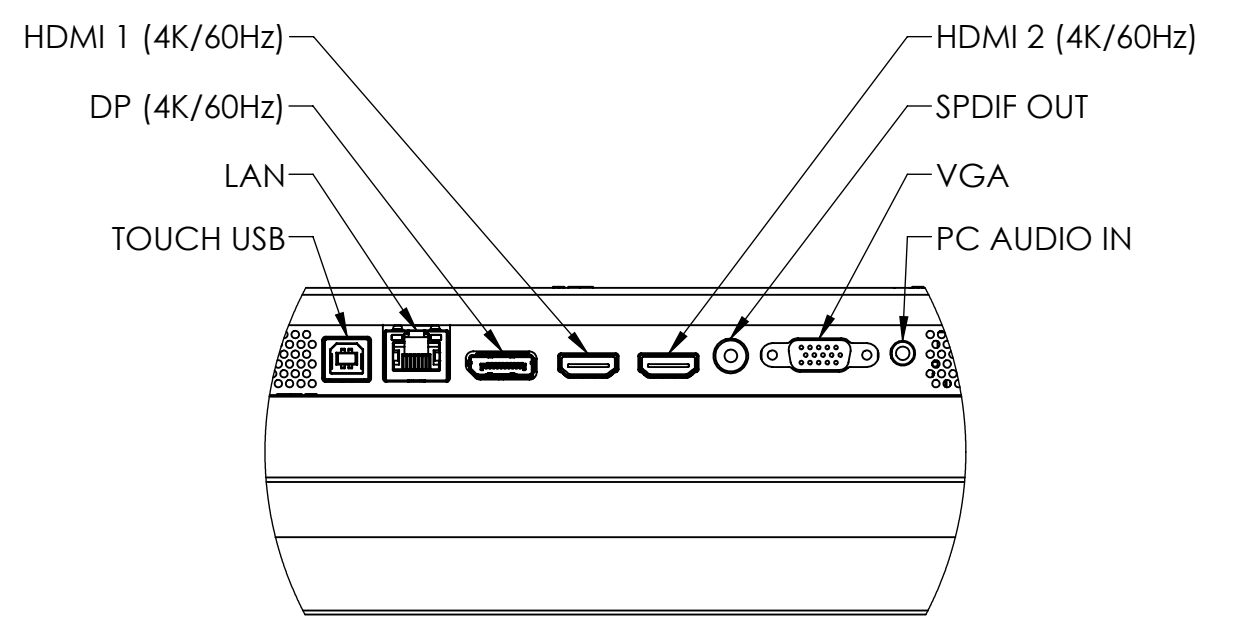
DETAIL B
SCALE 1 : 2



BOTTOM VIEW



2X WITH HARDWARE INCLUDED



- 5. -N MODELS DO NOT HAVE WIFI CAPABILITIES.
 - 4. TOUCH GLASS RECESS FROM FRONT OF DISPLAY 11.2mm [.44in].
 - 3. PORTRAIT ORIENTATION IS ROTATED 90° COUNTERCLOCKWISE AS VIEWED FROM THE FRONT.
 - 2. KEEP PERFORATION AREAS CLEAR FOR VENTILATION.
 - 1. SPECIFICATIONS SUBJECT TO CHANGE WITHOUT NOTICE.
- NOTES: UNLESS OTHERWISE SPECIFIED.

UNLESS OTHERWISE SPECIFIED DIMENSIONS ARE IN MILLIMETERS [INCHES]		ENGR BY	PLANAR SYSTEMS, INC. 1195 NE COMPTON DRIVE HILLSBORO, OR 97006 USA	
TOLERANCES:		DRAWN BY	MRW	21OCT19
X= ±1	XX= ±.25	CHECKED BY		
.X= ±.5	∠= ±1°	USED ON		
DIMENSIONING AND TOLERANCING PER ASME Y14.5M-1994		MATERIAL		
THIRD ANGLE PROJECTION		FINISH		
TITLE		PS5574KT 998-1246-00 PS5574KT-N 998-2259-00		
SIZE	PART NO.	DRAWING NO.	REV.	
D	-	PS5574KT OUTLINE	B	
SCALE	1:5	DO NOT SCALE	SHEET	1 OF 1

THIS DRAWING CONTAINS INFORMATION PROPRIETARY TO PLANAR SYSTEMS, INC. ANY REPRODUCTION IN PART OR WHOLE WITHOUT THE WRITTEN PERMISSION OF PLANAR SYSTEMS IS PROHIBITED. THIS DRAWING IS SUPPLIED FOR INFORMATION, IDENTIFICATION, ENGINEERING, EVALUATION, AND/OR INSPECTION PURPOSES ONLY AND MAY NOT BE USED AS BASIS FOR THE MANUFACTURING OF PRODUCTS OR THE FURNISHING OF SERVICES TO PLANAR SYSTEMS OR TO ANY THIRD PARTY UNLESS AUTHORIZED IN WRITING BY PLANAR SYSTEMS.