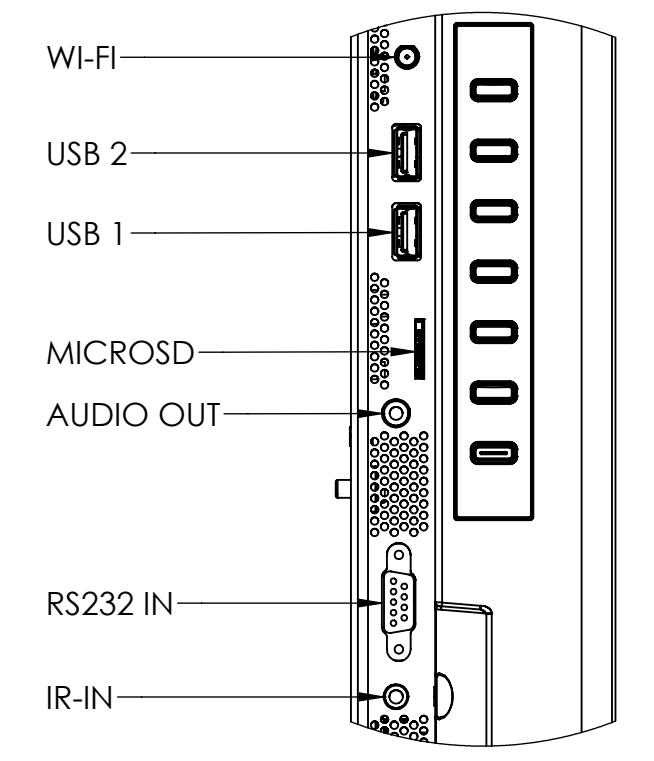
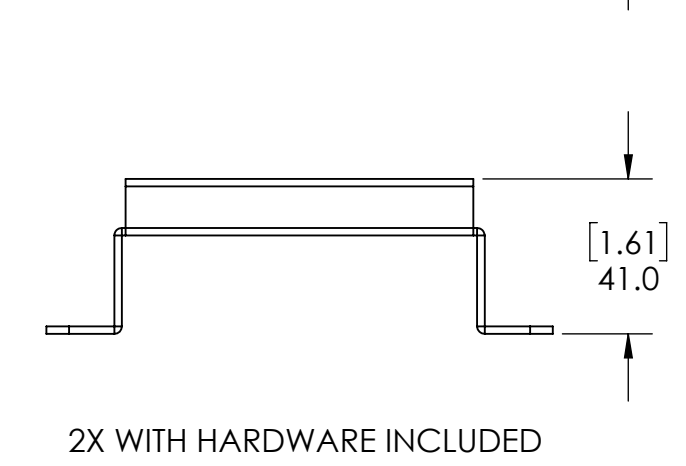
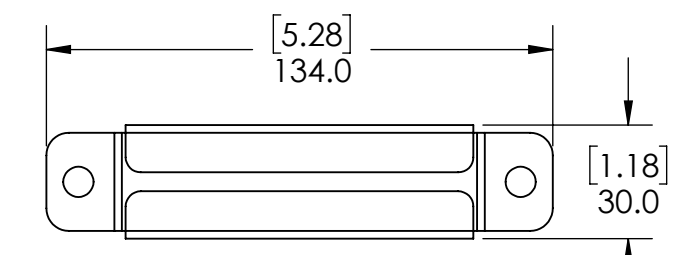
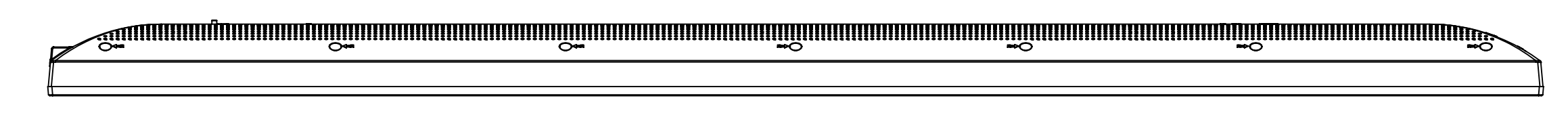
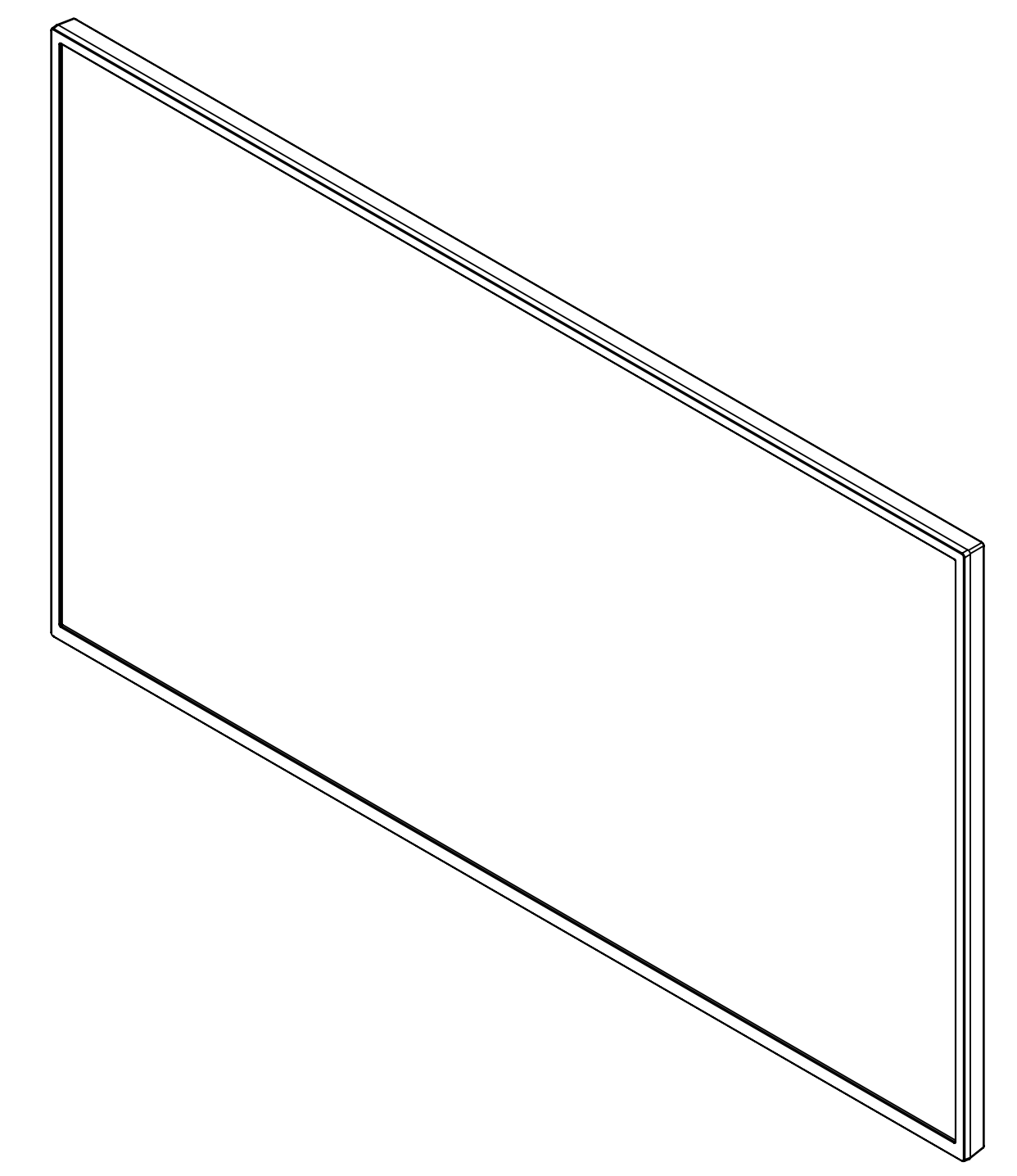


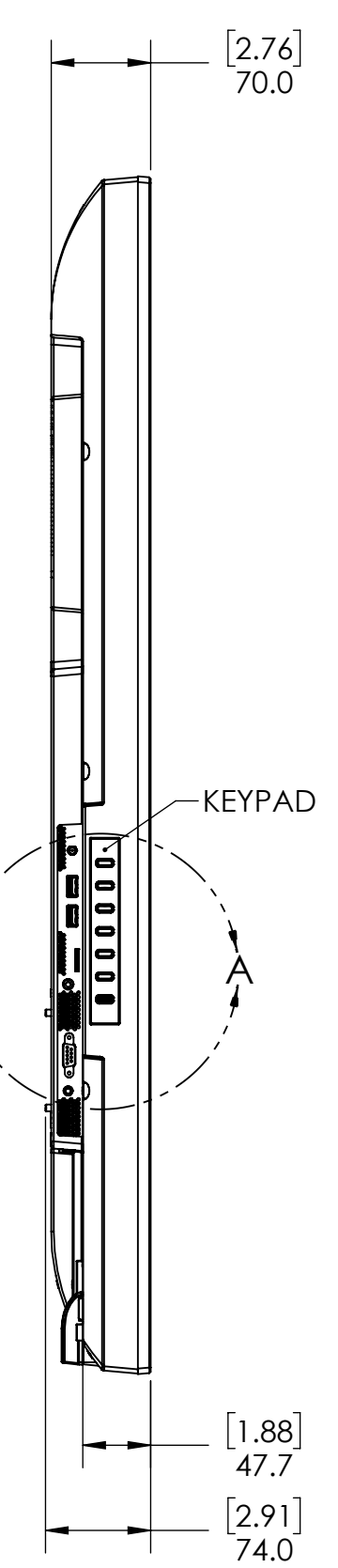
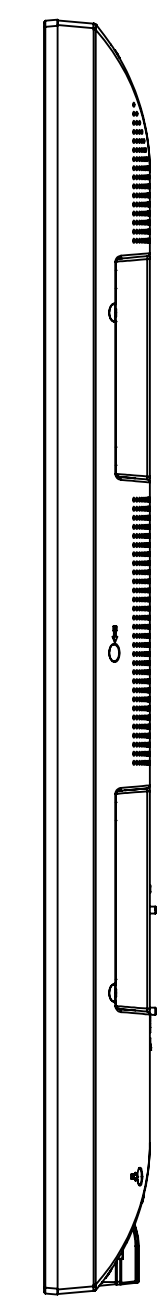
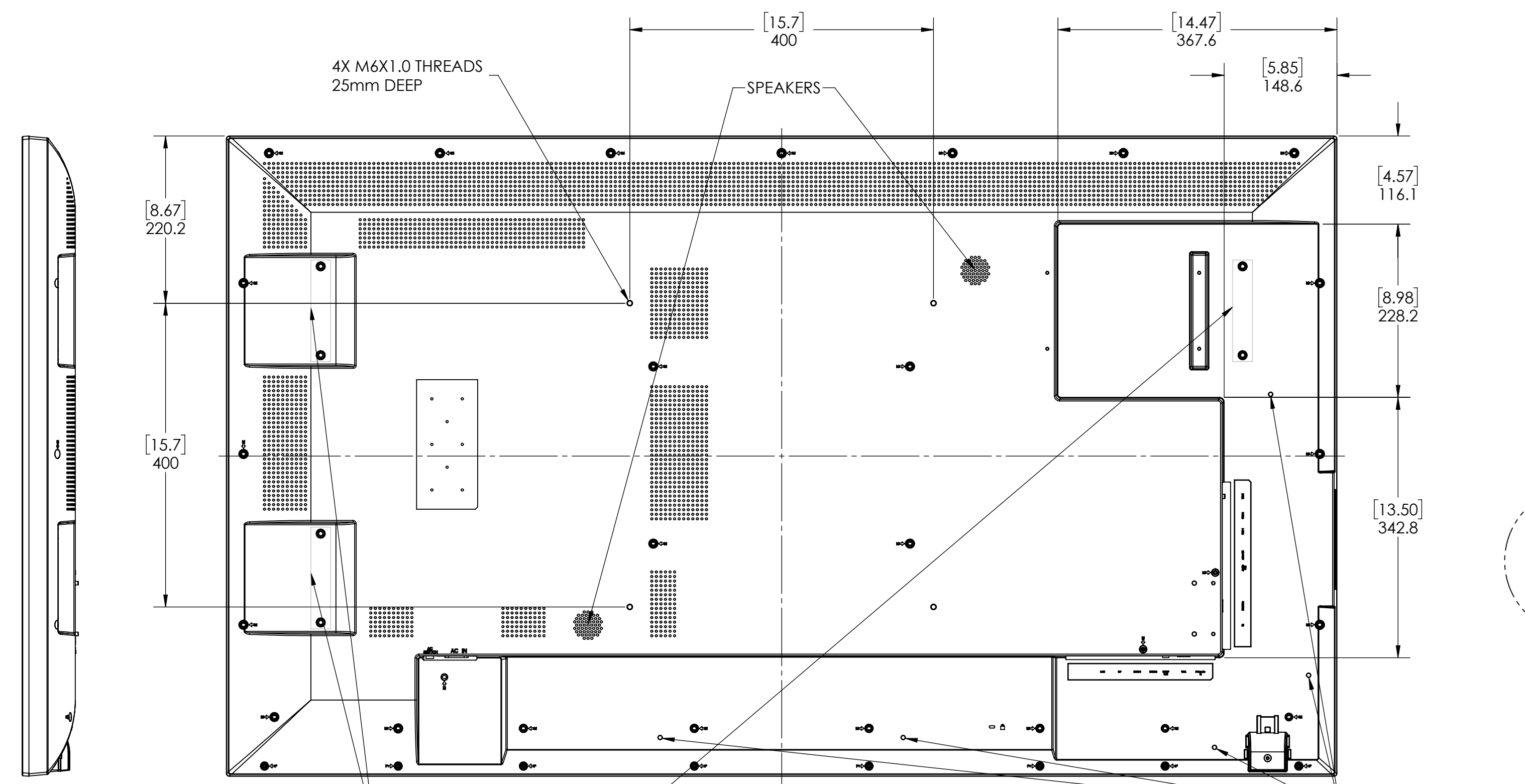
REVISION HISTORY					
ECO	ZONE	REV.	DESCRIPTION	DATE	APPR'D



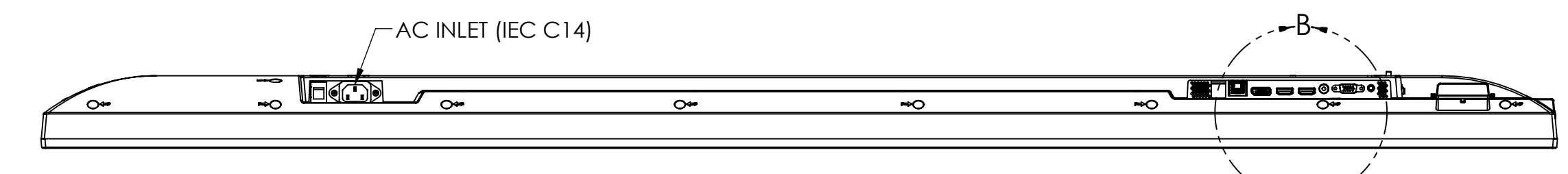
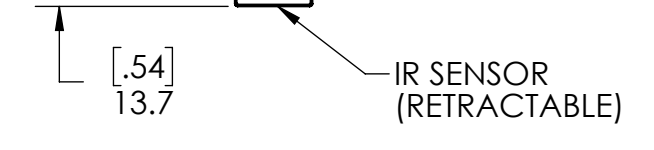
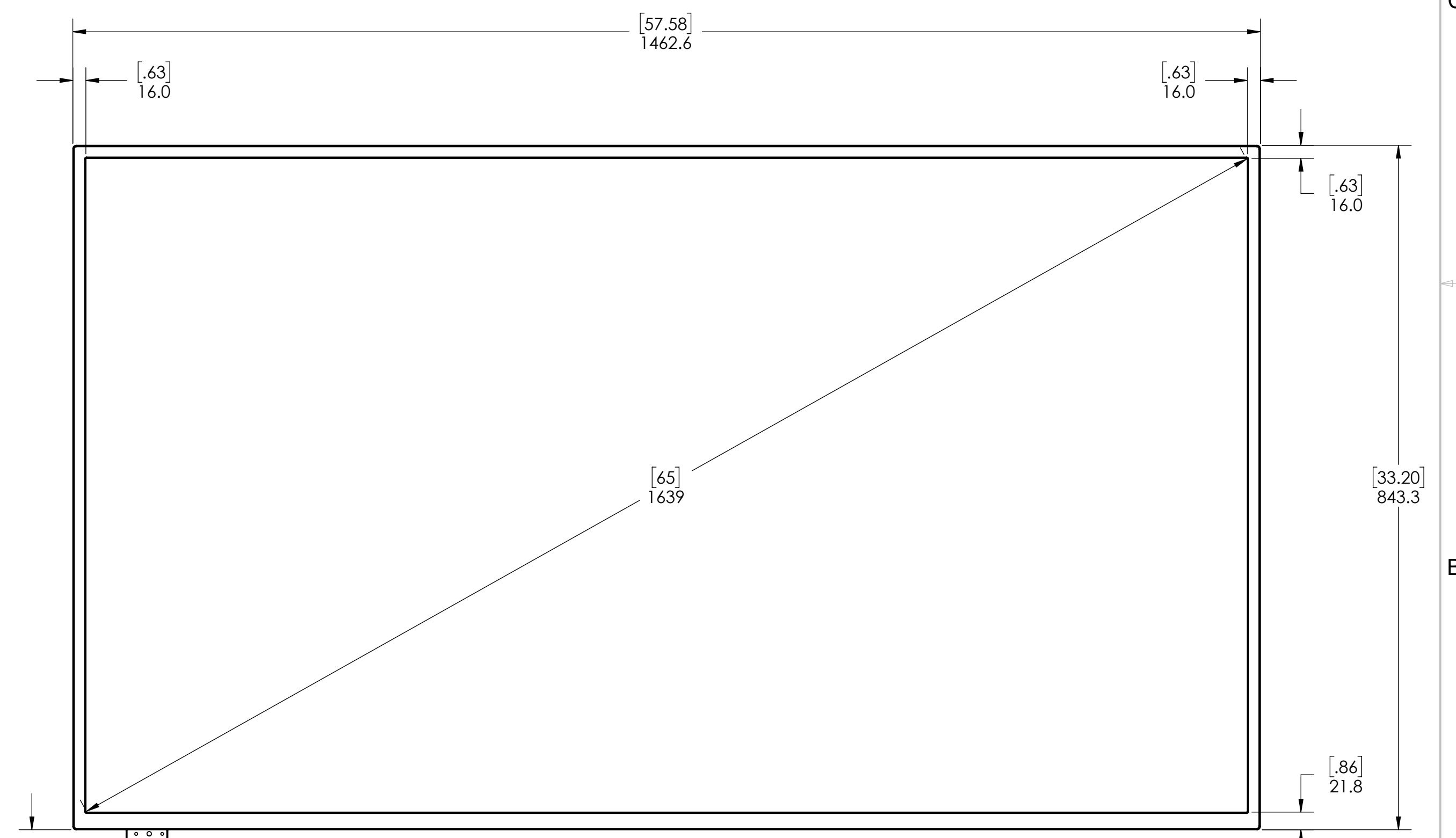
DETAIL A  
SCALE 1 : 2



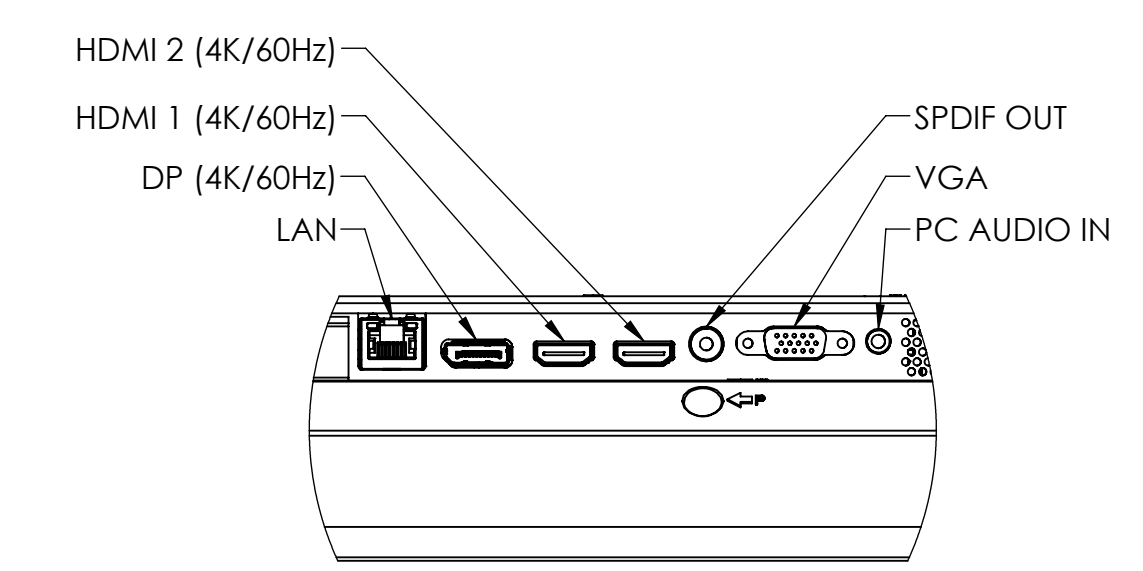
TOP VIEW



DETAIL B  
SCALE 1 : 2



BOTTOM VIEW



1. SPECIFICATIONS SUBJECT TO CHANGE WITHOUT NOTICE.
  2. KEEP PERFORATION AREAS CLEAR FOR VENTILATION.
  3. PORTRAIT ORIENTATION IS ROTATED 90° COUNTERCLOCKWISE AS VIEWED FROM THE FRONT.
- NOTES: UNLESS OTHERWISE SPECIFIED.

UNLESS OTHERWISE SPECIFIED DIMENSIONS ARE IN MILLIMETERS (INCHES)		ENGR BY	MRW	21OCT19		PLANAR SYSTEMS, INC. 1195 NE COMPTON DRIVE HILLSBORO, OR 97006 USA
TOLERANCES:		DRAWN BY				TITLE
X= ±1	XX= ±.25	CHECKED BY			SIZE	D
.X= ±.5	∠= ±1°	USED ON			PART NO	-
DIMENSIONING AND TOLERANCING PER ASME Y14.5M-1994		MATERIAL			DRAWING NO	PS6574K OUTLINE
THIRD ANGLE PROJECTION		FINISH			REV	A
SCALE		DO NOT SCALE		SHEET		1 OF 1

THIS DRAWING CONTAINS INFORMATION PROPRIETARY TO PLANAR SYSTEMS, INC. ANY REPRODUCTION IN PART OR WHOLE WITHOUT THE WRITTEN PERMISSION OF PLANAR SYSTEMS IS PROHIBITED. THIS DRAWING IS SUPPLIED FOR INFORMATION, IDENTIFICATION, ENGINEERING, EVALUATION, AND/OR INSPECTION PURPOSES ONLY AND MAY NOT BE USED AS BASIS FOR THE MANUFACTURING OF PRODUCTS OR THE FURNISHING OF SERVICES TO PLANAR SYSTEMS OR TO ANY THIRD PARTY UNLESS AUTHORIZED IN WRITING BY PLANAR SYSTEMS.