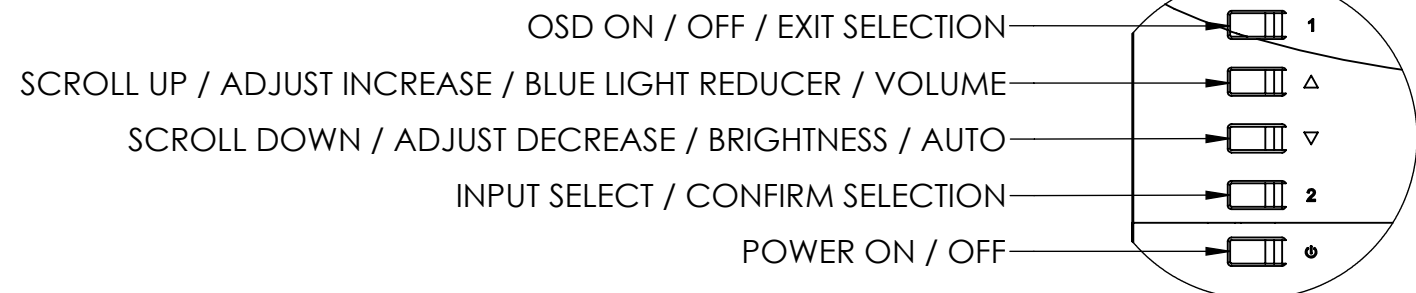
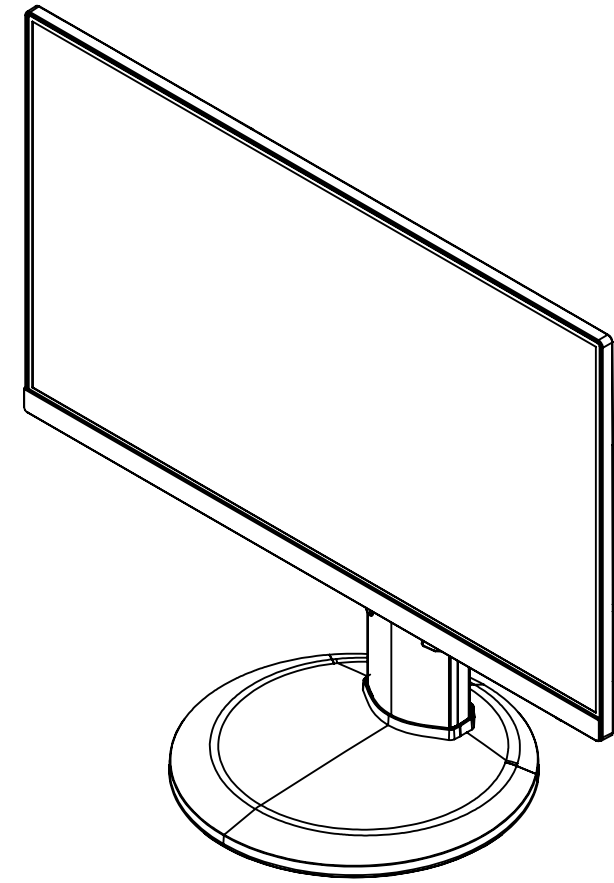
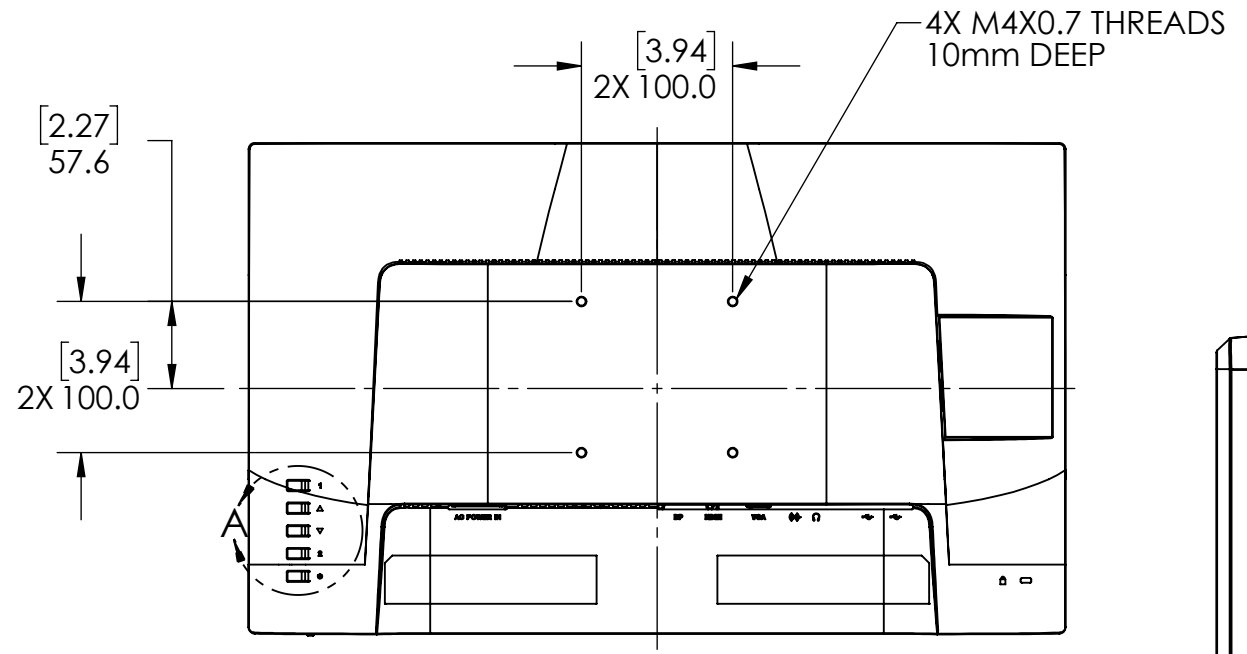
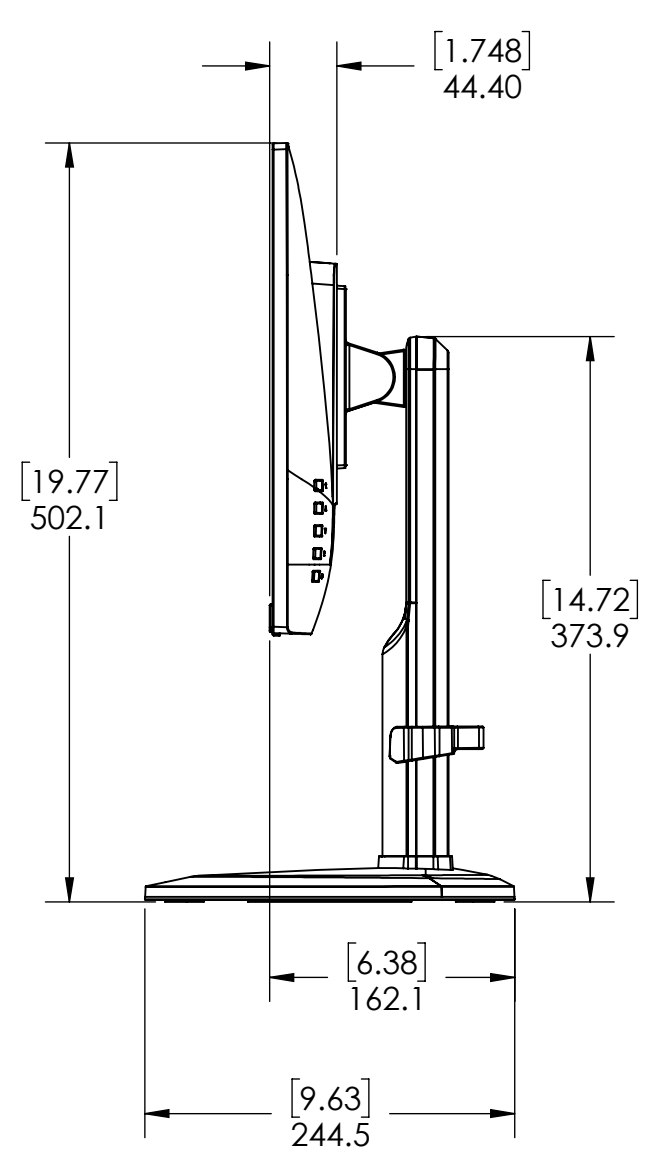


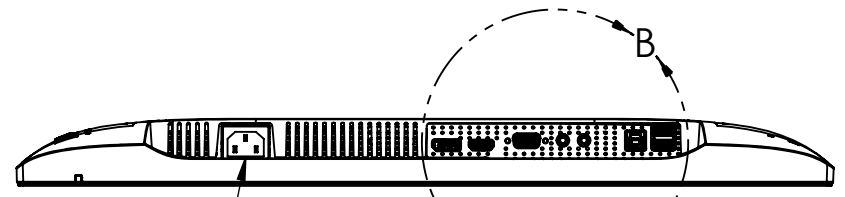
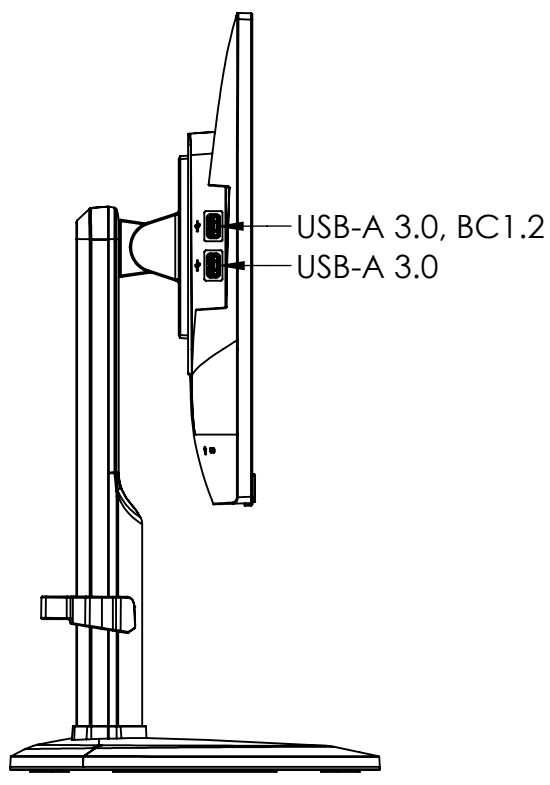
REVISION HISTORY					
ECO	ZONE	REV.	DESCRIPTION	DATE	APPR'D



DETAIL A  
SCALE 1 : 2

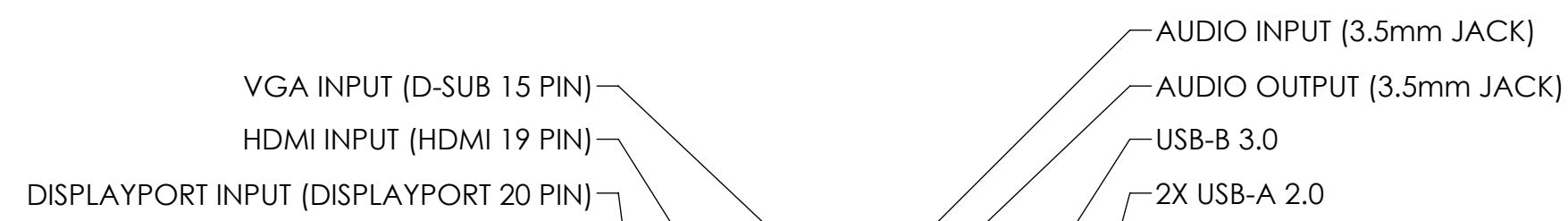
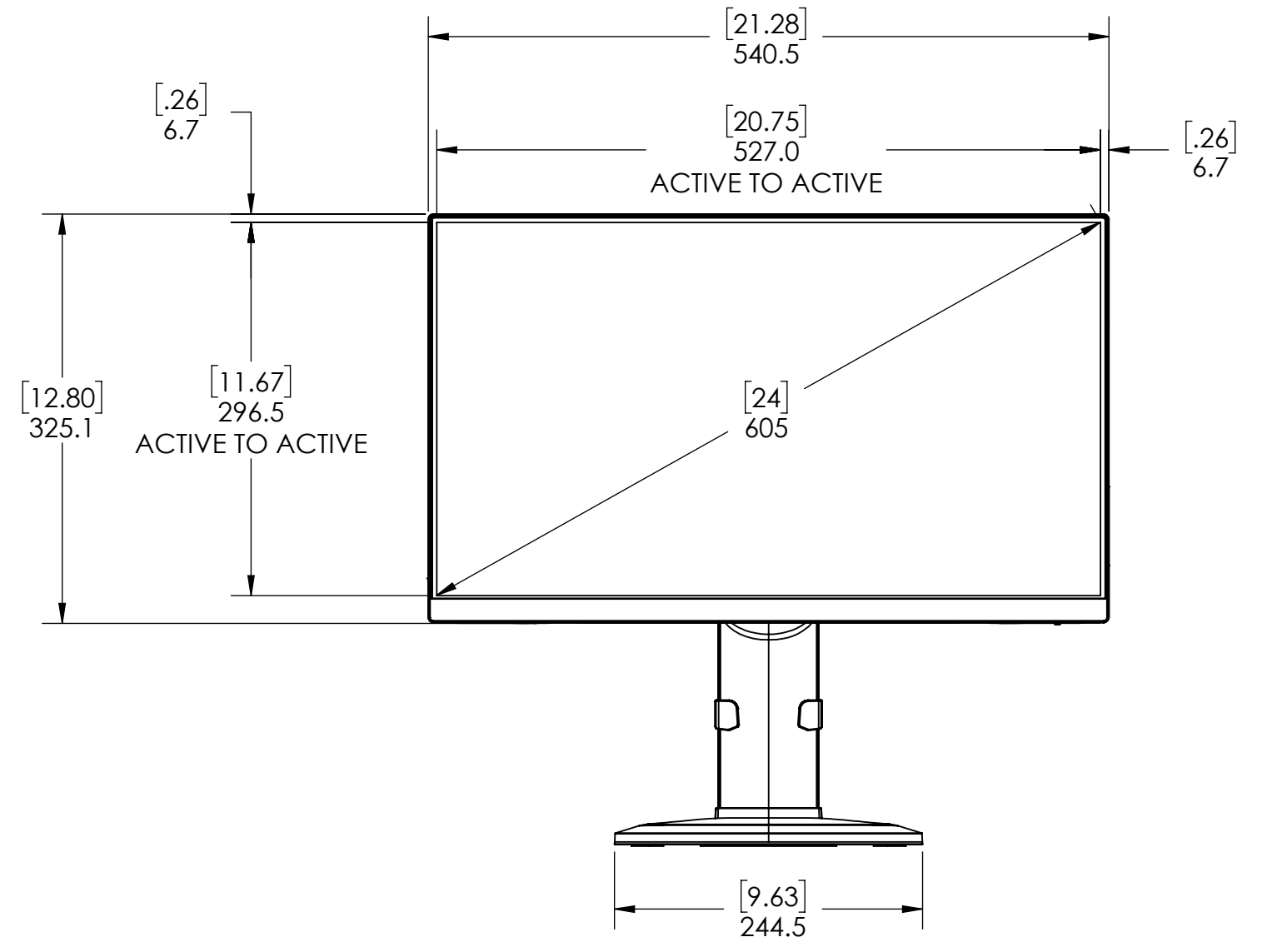


BACK VIEW  
(STAND REMOVED)



BOTTOM VIEW  
(STAND REMOVED)

AC POWER INPUT (IEC C14)



DETAIL B  
SCALE 1 : 2

2. PORTRAIT ORIENTATION IS ROTATED 90° CLOCKWISE AS VIEWED FROM THE FRONT.  
 1. SPECIFICATIONS SUBJECT TO CHANGE WITHOUT NOTICE.  
 NOTES: UNLESS OTHERWISE SPECIFIED.

THIS DRAWING CONTAINS INFORMATION PROPRIETARY TO PLANAR SYSTEMS, INC.. ANY REPRODUCTION IN PART OR WHOLE WITHOUT THE WRITTEN PERMISSION OF PLANAR SYSTEMS IS PROHIBITED. THIS DRAWING IS SUPPLIED FOR INFORMATION, IDENTIFICATION, ENGINEERING, EVALUATION, AND/OR INSPECTION PURPOSES ONLY AND MAY NOT BE USED AS BASIS FOR THE MANUFACTURING OF PRODUCTS OR THE FURNISHING OF SERVICES TO PLANAR SYSTEMS OR TO ANY THIRD PARTY UNLESS AUTHORIZED IN WRITING BY PLANAR SYSTEMS.

UNLESS OTHERWISE SPECIFIED DIMENSIONS ARE IN MILLIMETERS [INCHES].		ENGR BY		
TOLERANCES:		DRAWN BY	MRW	30MAY19
X = ±1	.XX = ±.25	CHECKED BY		
.X = ±.5	∠ = ±1°	USED ON		
DIMENSIONING AND TOLERANCING PER ASME Y14.5M-1994		MATERIAL		
THIRD ANGLE PROJECTION		FINISH		
<p><b>LEYARD PLANAR</b> PLANAR SYSTEMS, INC.          1195 NE COMPTON DRIVE          HILLSBORO, OR 97006 USA</p>				
TITLE: PZN2410				
SIZE	PART NO.	DRAWING NO.	REV	
C	998-1443-00	998-1443-00	A	
SCALE	1:5	DO NOT SCALE	SHEET	1 OF 1