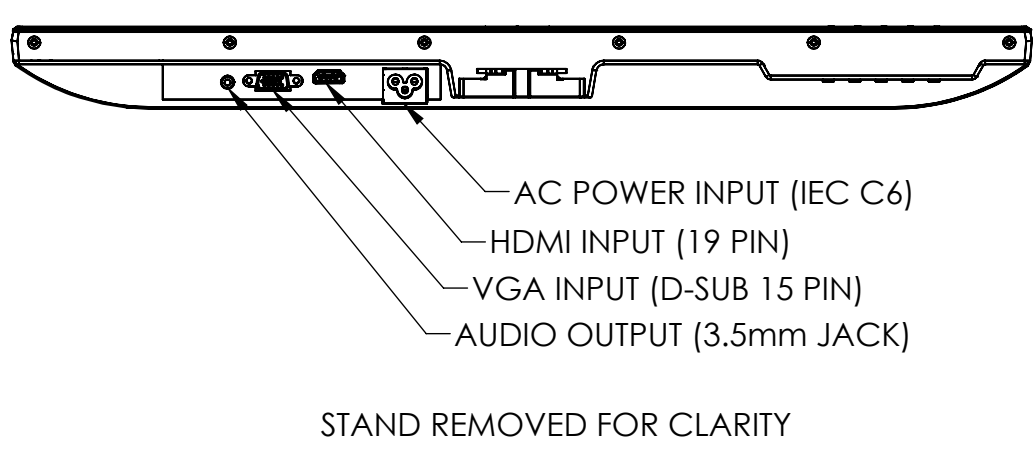
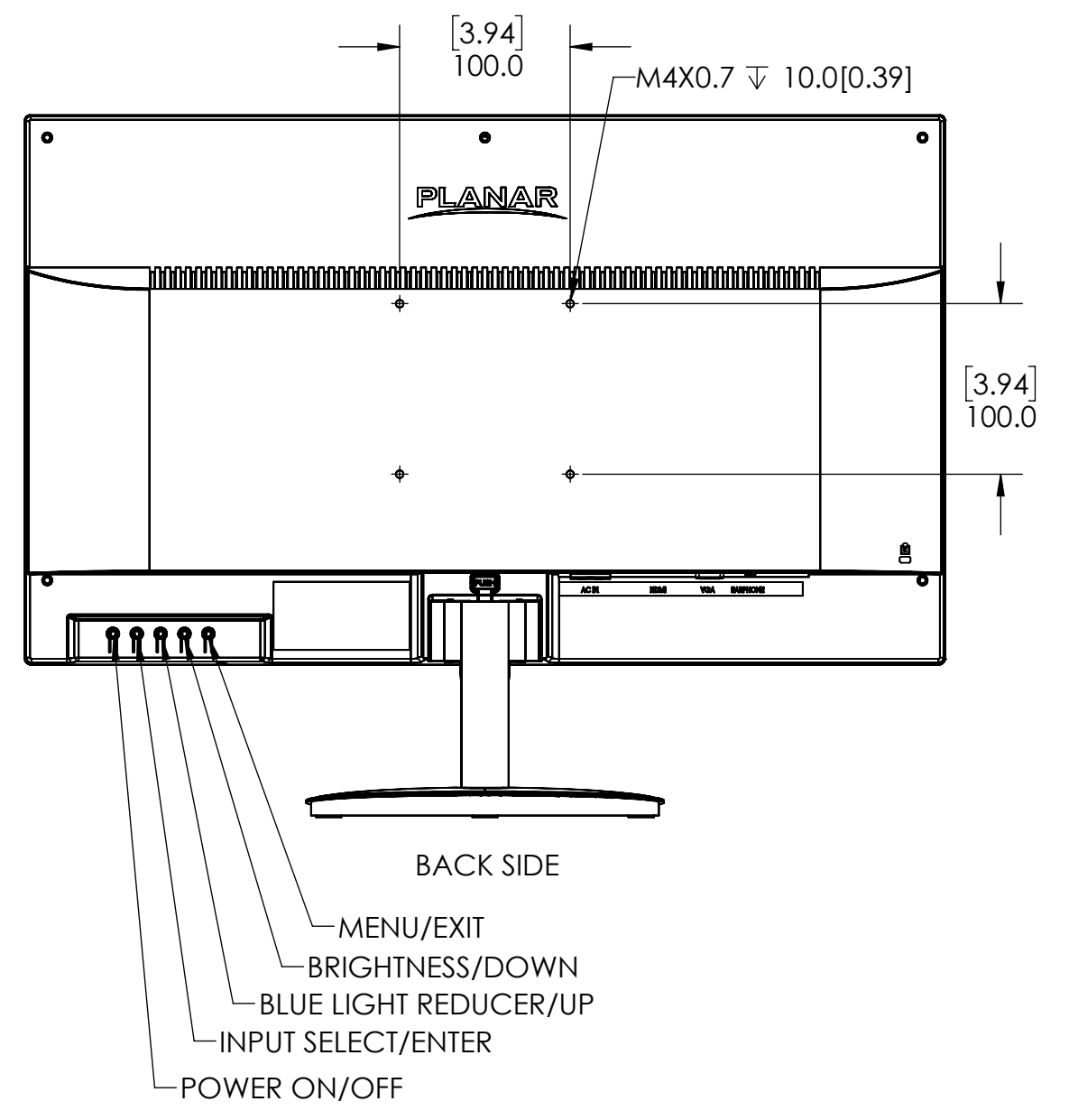
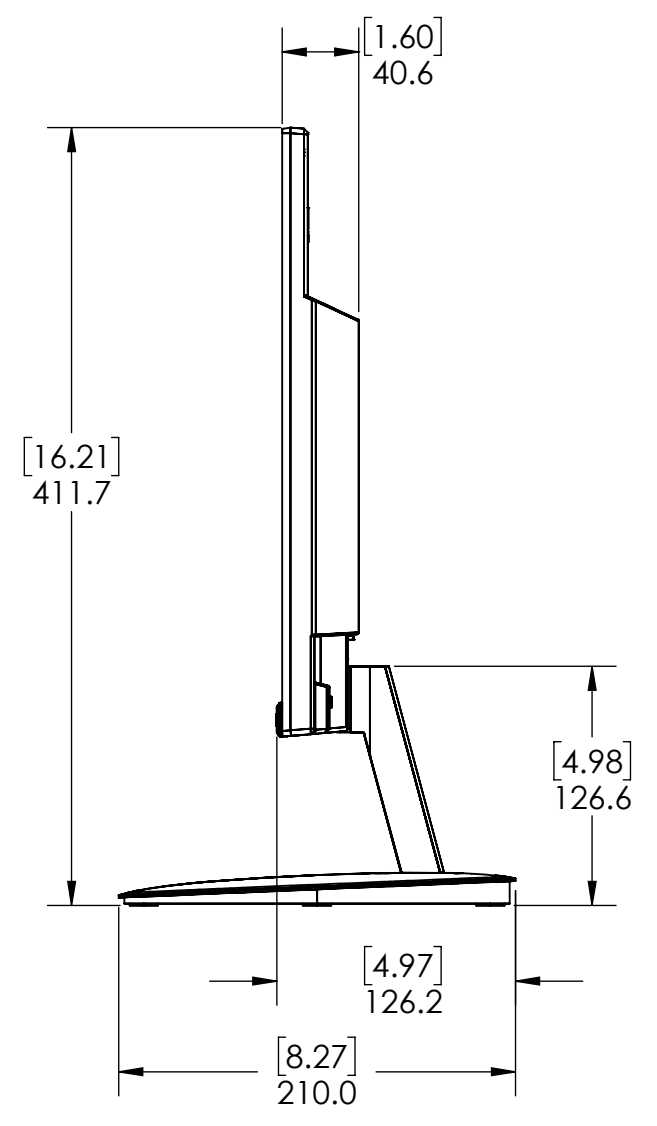
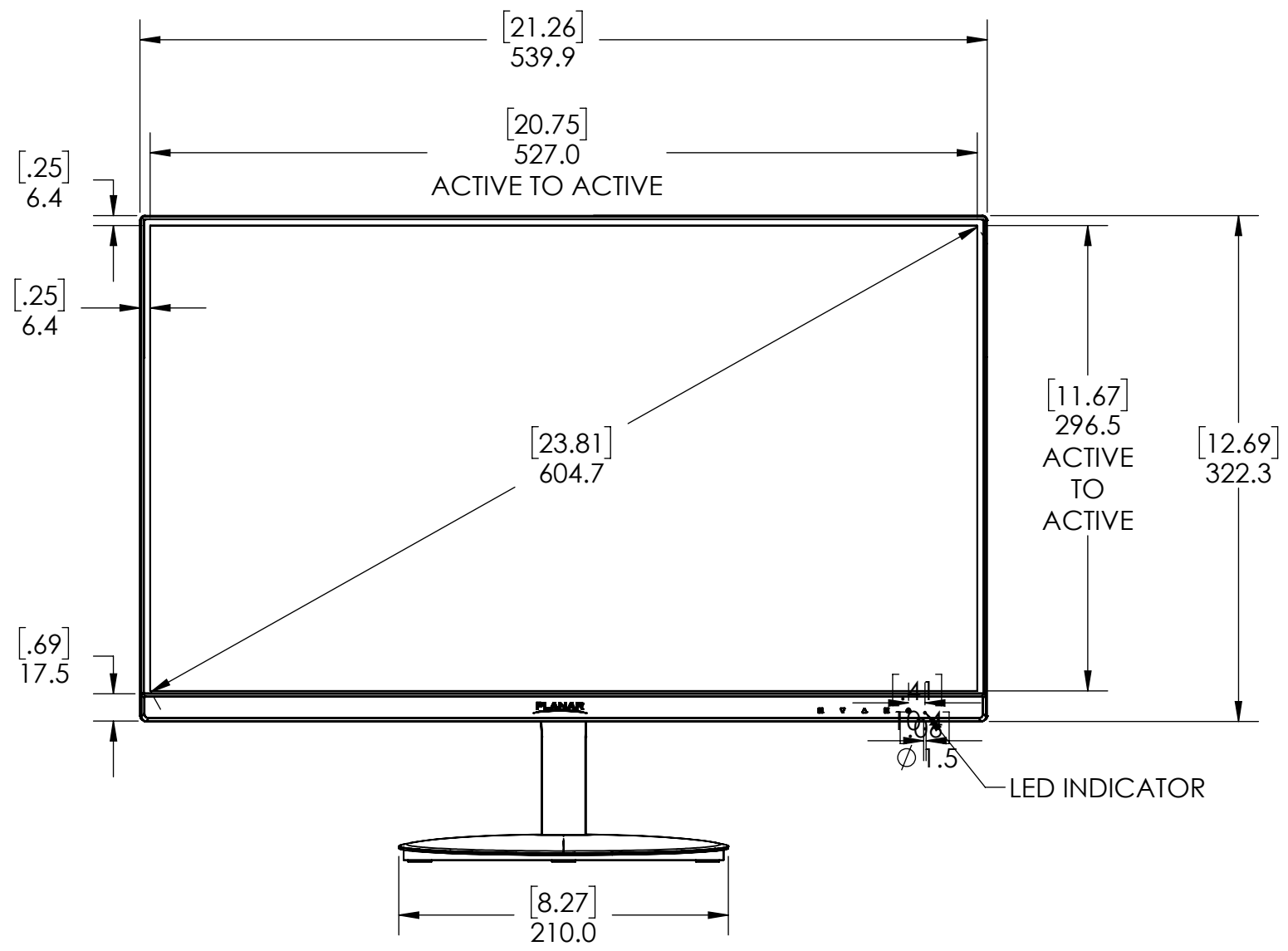


REVISION HISTORY					
ECO	ZONE	REV.	DESCRIPTION	DATE	APPR'D



1. SPECIFICATIONS SUBJECT TO CHAGNE WITHOUT NOTICE.
 NOTES: UNLESS OTHERWISE SPECIFIED.

UNLESS OTHERWISE SPECIFIED DIMENSIONS ARE IN MILLIMETERS [INCHES].		ENGR BY	DRAWN BY		CJM		04 Apr 19			PLANAR SYSTEMS, INC. 1195 NE COMPTON DRIVE BEAVERTON, OR 97006 USA	
TOLERANCES:		CHECKED BY	USED ON		MATERIAL		FINISH			TITLE	
X= ±1	.XX= ±.25	DIMENSIONING AND TOLERANCING PER ASME Y14.5M-1994		THIRD ANGLE PROJECTION		SIZE		PART NO.		DRAWING NO.	
X= ±.5	∠= ±1°	THIRD ANGLE PROJECTION		SCALE		C		998-1330-00		998-1330-00	
SCALE		DO NOT SCALE		SHEET		1 OF 1		REV		A	

THIS DRAWING CONTAINS INFORMATION PROPRIETARY TO PLANAR SYSTEMS, INC.. ANY REPRODUCTION IN PART OR WHOLE WITHOUT THE WRITTEN PERMISSION OF PLANAR SYSTEMS IS PROHIBITED. THIS DRAWING IS SUPPLIED FOR INFORMATION, IDENTIFICATION, ENGINEERING, EVALUATION, AND/OR INSPECTION PURPOSES ONLY AND MAY NOT BE USED AS BASIS FOR THE MANUFACTURING OF PRODUCTS OR THE FURNISHING OF SERVICES TO PLANAR SYSTEMS OR TO ANY THIRD PARTY UNLESS AUTHORIZED IN WRITING BY PLANAR SYSTEMS.