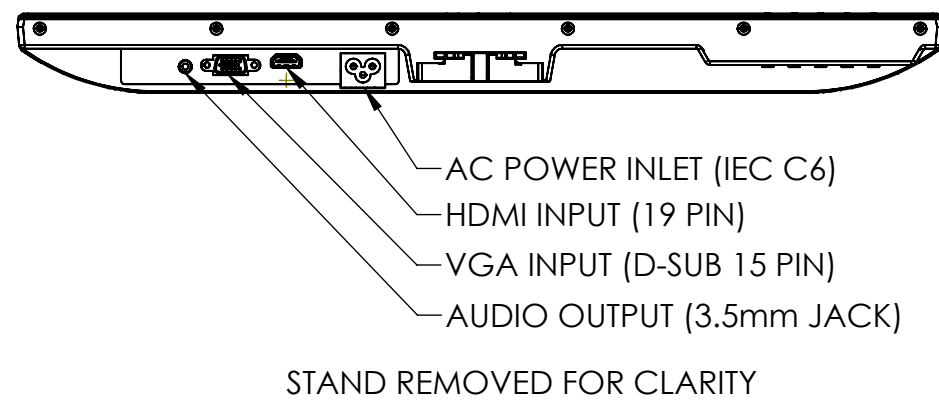
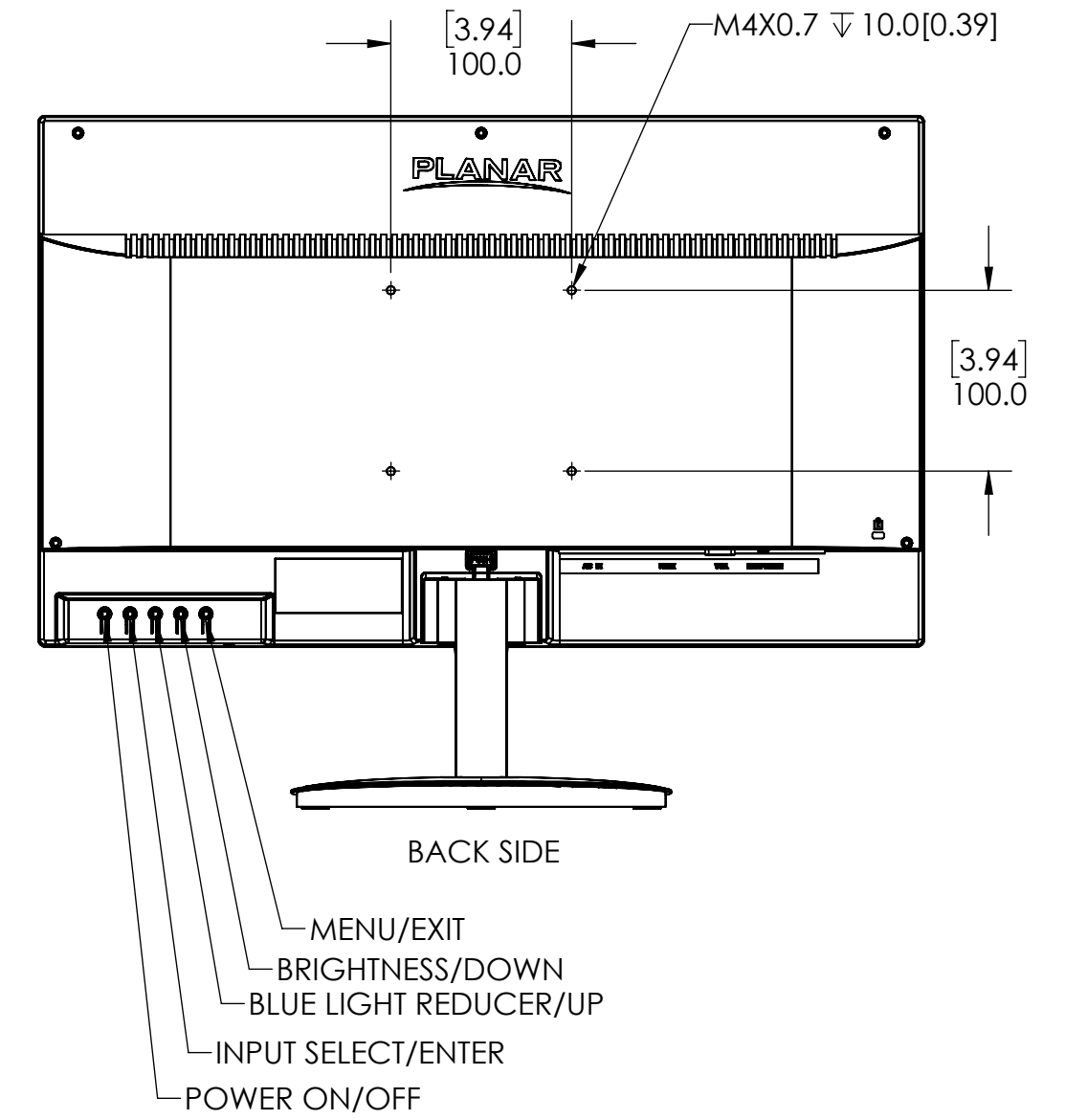
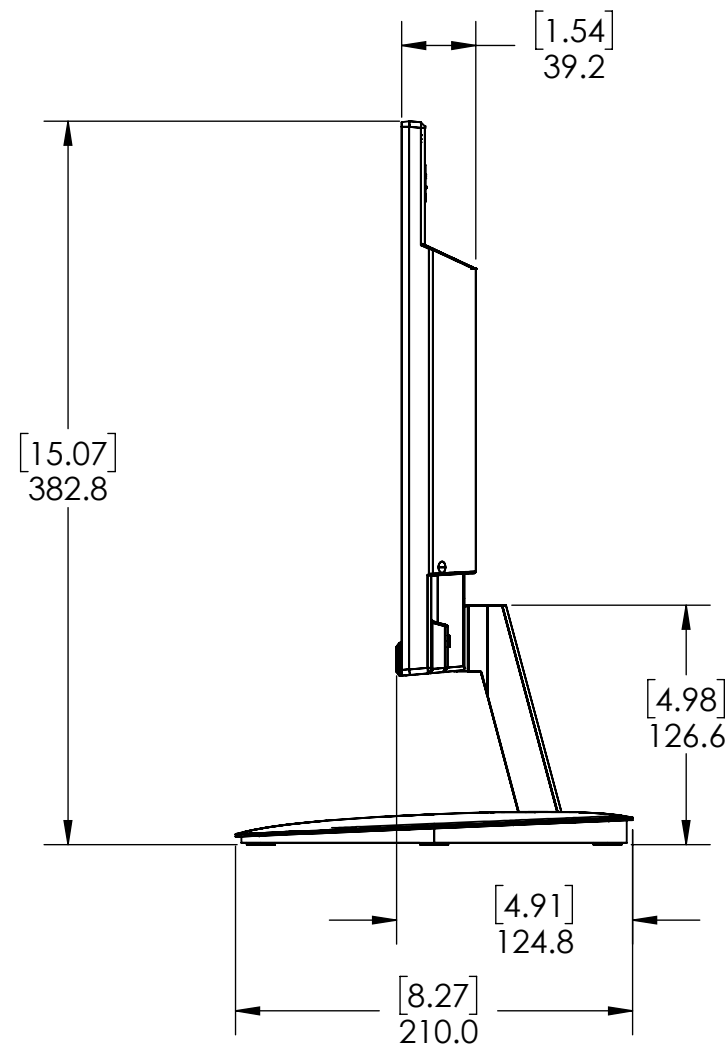
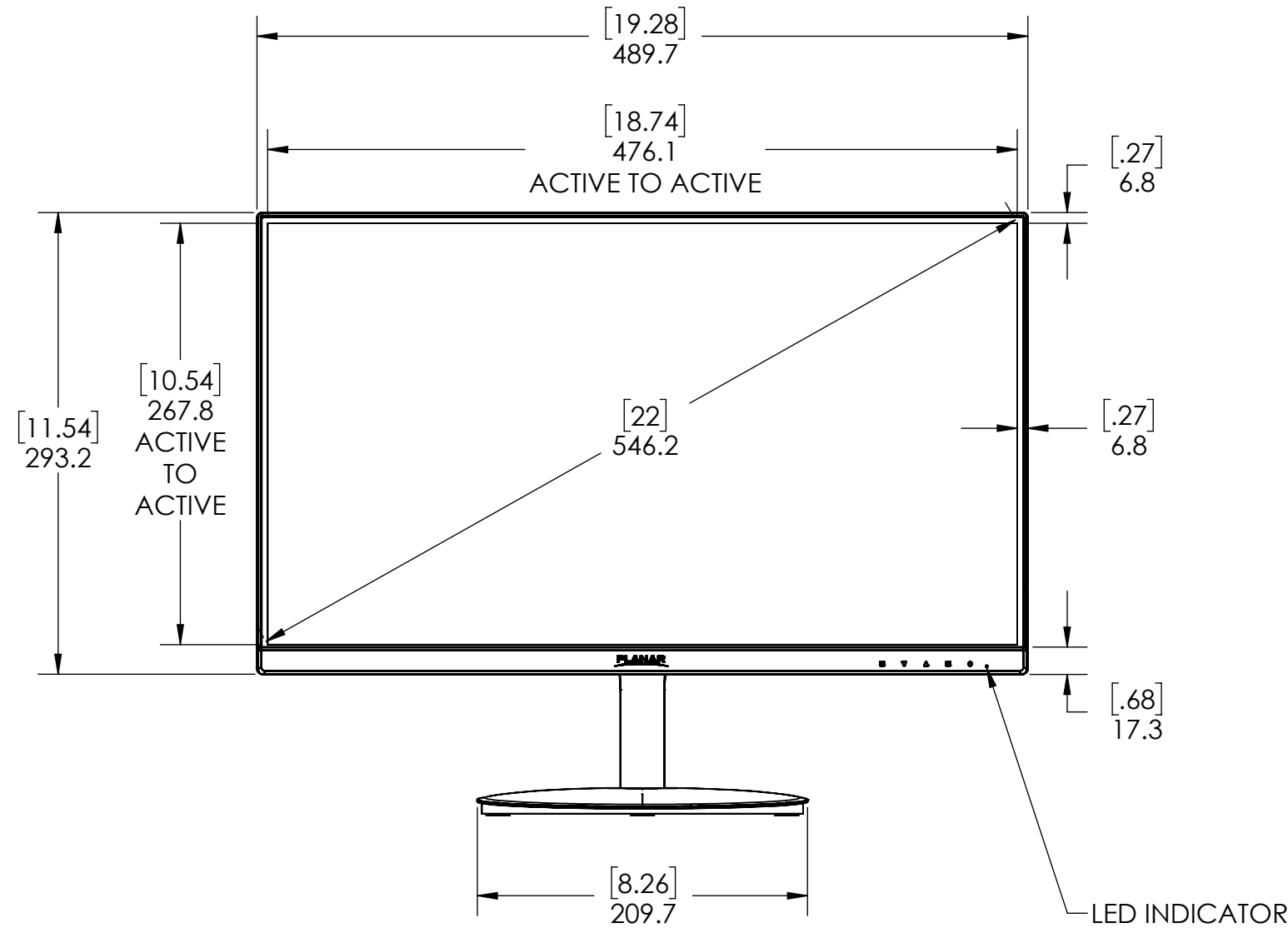


REVISION HISTORY					
ECO	ZONE	REV.	DESCRIPTION	DATE	APPR'D



1. SPECIFICATIONS SUBJECT TO CHANGE WITHOUT NOTICE.
 NOTES: UNLESS OTHERWISE SPECIFIED.

UNLESS OTHERWISE SPECIFIED DIMENSIONS ARE IN MILLIMETERS [INCHES].		ENGR BY				PLANAR SYSTEMS, INC. 1195 NE COMPTON DRIVE HILLSBORO, OR 97006 USA
TOLERANCES:		DRAWN BY	CJM	05 Apr 19		
X = ±1	.XX = ±.25	CHECKED BY			TITLE	
.X = ±.5	∠ = ±1°	USED ON			P, PLN2200	
DIMENSIONING AND TOLERANCING PER ASME Y14.5M-1994		MATERIAL			SIZE	PART NO.
THIRD ANGLE PROJECTION		FINISH			C	998-1329-00
				DRAWING NO.	REV	
				998-1329-00	A	
		SCALE	DO NOT SCALE		SHEET	1 OF 1
		1:4				