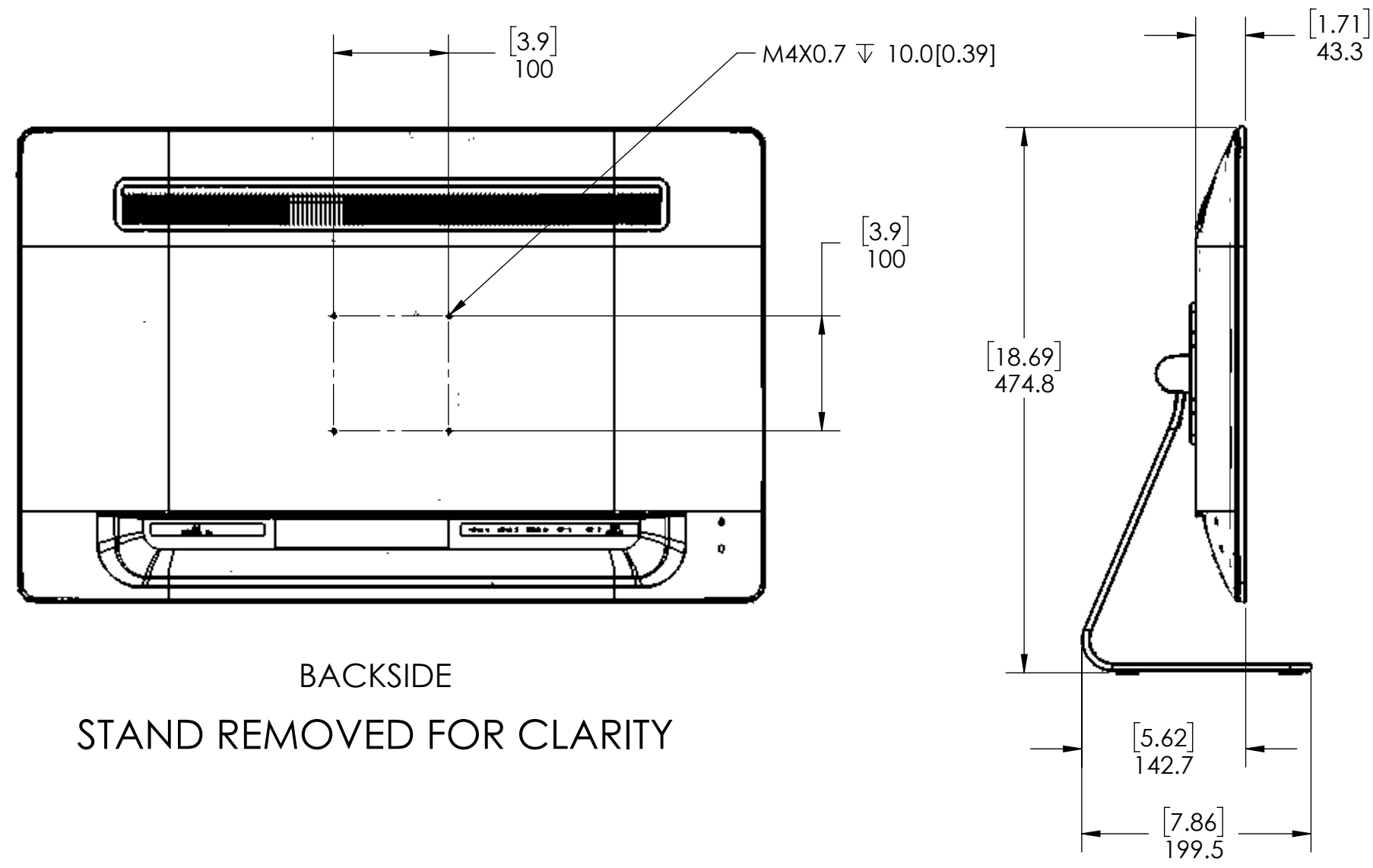
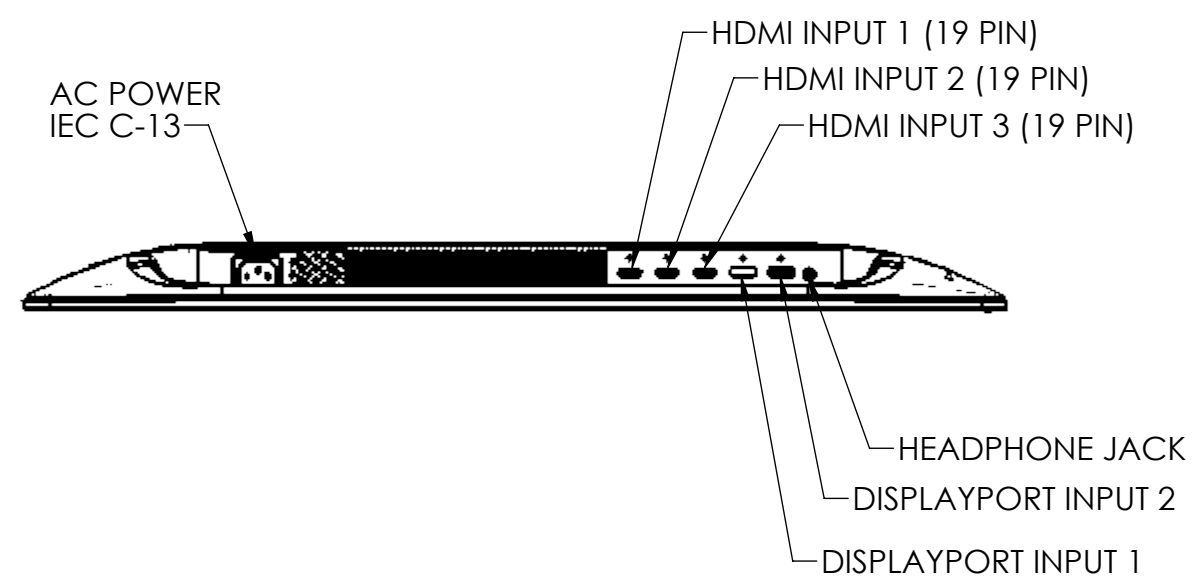
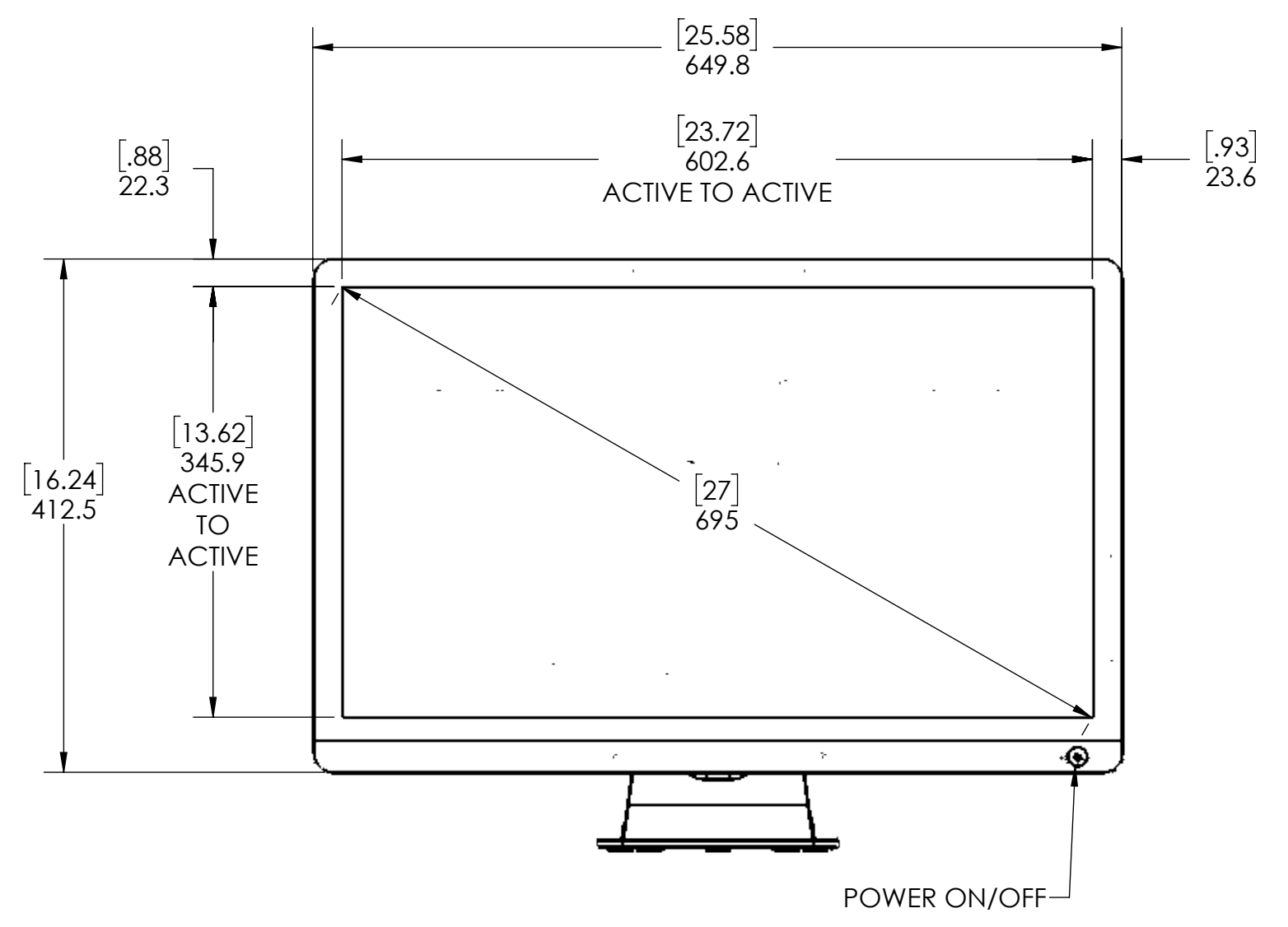


REVISION HISTORY					
ECO	ZONE	REV.	DESCRIPTION	DATE	APPR'D



BACKSIDE
STAND REMOVED FOR CLARITY



STAND REMOVED FOR CLARITY

1. SPECIFICATIONS SUBJECT TO CHANGE WITHOUT NOTICE
NOTES: UNLESS OTHERWISE SPECIFIED.

UNLESS OTHERWISE SPECIFIED DIMENSIONS ARE IN MILLIMETERS [INCHES].		ENGR BY	DRAWN BY MAZ		29 Dec 17		PLANAR SYSTEMS, INC. 1195 NW COMPTON DRIVE BEAVERTON, OR 97006 USA
TOLERANCES:		CHECKED BY	USED ON		MATERIAL		TITLE IX2790
X = ±1	.XX = ±.25	FINISH		DIMENSIONING AND TOLERANCING PER ASME Y14.5M-1994		SIZE C	PART NO. 997-9362-00
X = ±.5	∠ = ±1°	THIRD ANGLE PROJECTION		DRAWING NO. 997-9362-00		REV A	SCALE 1:5
DO NOT SCALE		SHEET 1 OF 1					

THIS DRAWING CONTAINS INFORMATION PROPRIETARY TO PLANAR SYSTEMS, INC.. ANY REPRODUCTION IN PART OR WHOLE WITHOUT THE WRITTEN PERMISSION OF PLANAR SYSTEMS IS PROHIBITED. THIS DRAWING IS SUPPLIED FOR INFORMATION, IDENTIFICATION, ENGINEERING, EVALUATION, AND/OR INSPECTION PURPOSES ONLY AND MAY NOT BE USED AS BASIS FOR THE MANUFACTURING OF PRODUCTS OR THE FURNISHING OF SERVICES TO PLANAR SYSTEMS OR TO ANY THIRD PARTY UNLESS AUTHORIZED IN WRITING BY PLANAR SYSTEMS.