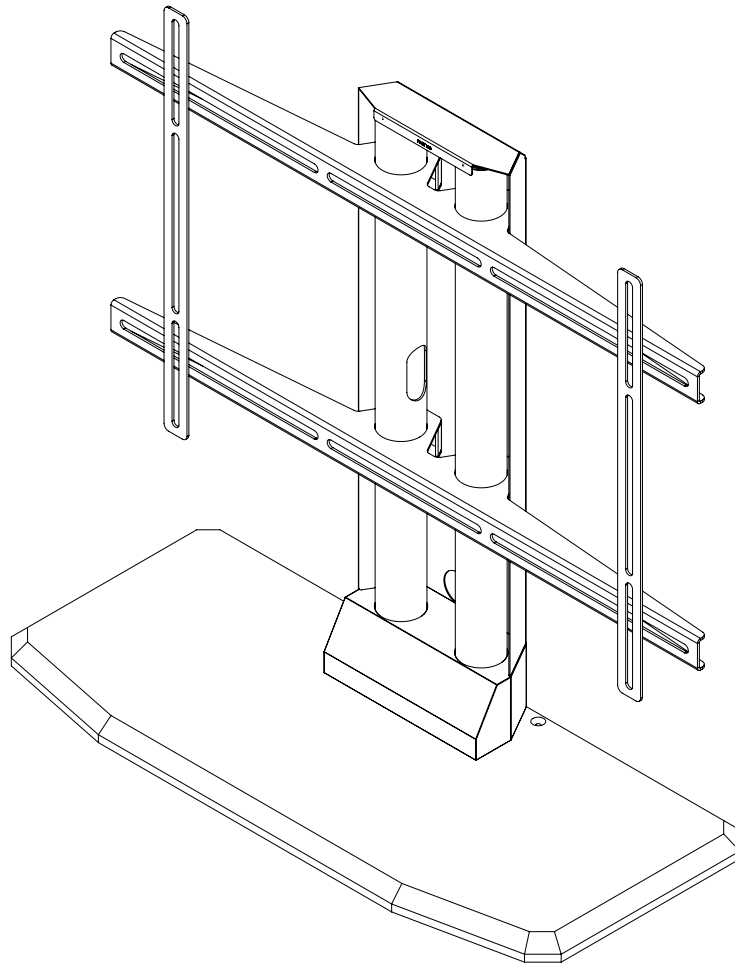




997-4390-00

Table Top Stand



PLANAR
1195 NW Compton Dr.
Beaverton, OR 97006
(866) 475-2627
www.planar.com

Contents

- Safety & precautions
- Stand diagrams
- Parts list (1)
- Flat panel list
- Parts list (2)
- Checking the thread depth on your flat panel
- Building the stand
- Securing the mounting brackets
- Securing the flat panel to the stand
- (Optional) fixed installation

Safety & Precautions

WARNING : Safety precaution measures must be practiced at all times during the installation of this product. Use proper safety gear and tools for the installations procedure to prevent personal injury or damage to the flat panel display mount.

WARNING!

The tabletop should be capable of supporting a max weight of 160 Lbs.(72.5Kg), the weight of the flat panel. More than 160 Lbs (72.5Kg) and the tabletop must be reinforced. Proper installation procedure by qualified personnel as outlined in the installations instructions must be adhered to. Failure to do so could result in serious personal injury.

The entire installation instructions should be fully read and understood, including all of the safety symbols and safety precautions before beginning installation. The installation instructions should be read, understood and followed to prevent personal injury or property damage. Keep these installation instructions in an easily accessible location for future reference.



Indicates that the power plug is to be disconnected from the power outlet.



Safety precautions must be taken at all



Warning and caution in general

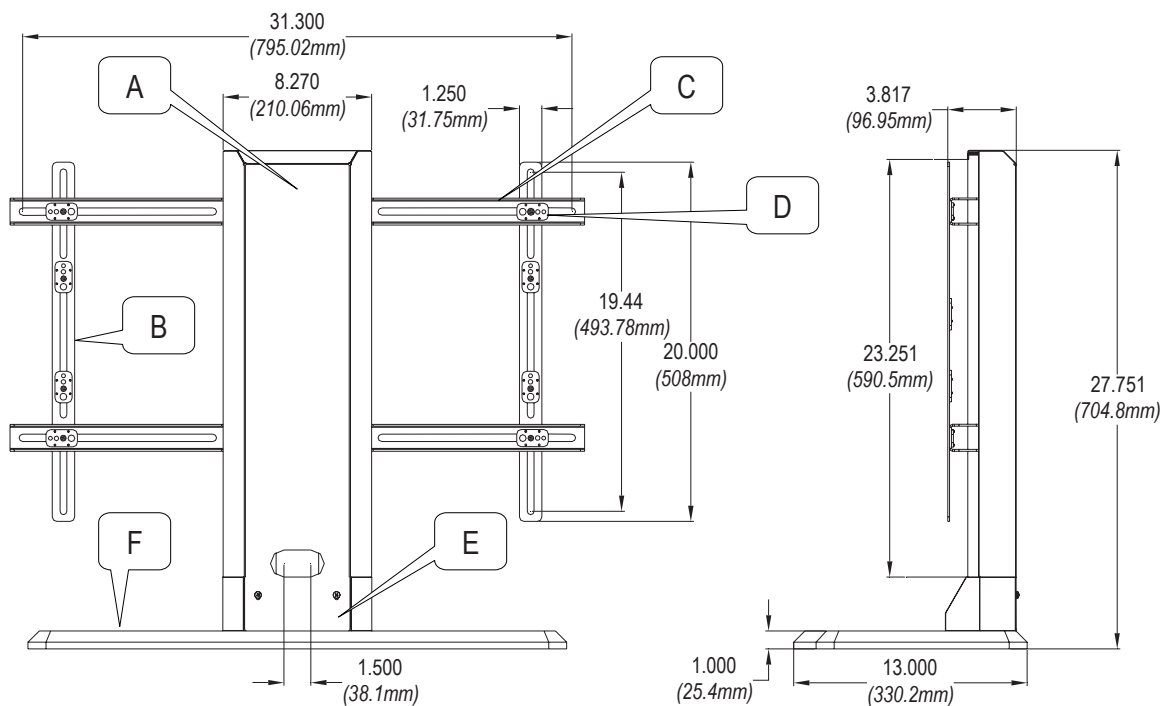
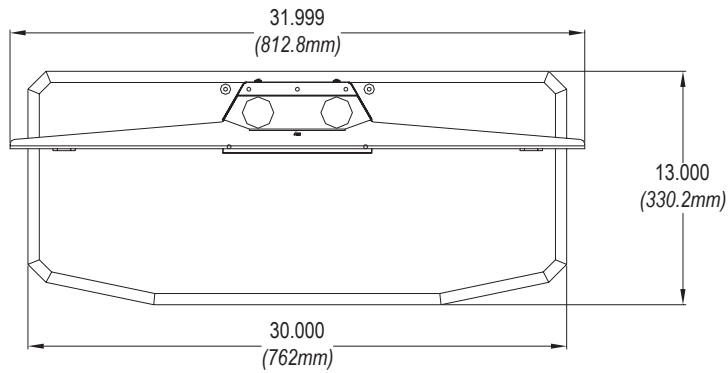


Do not install near heater, fire place, direct sunlight or air conditioning or any other source of direct heat energy. Failure to do so may result in damage to the flat panel display and could cause a risk of fire.



At least two qualified people should always perform the installation work. Injury and damage can result from dropping or mishandling the flat panel display.

Dimensions are in Inches and (mm)



PART#:
997-4390-00

COLOR:
Black

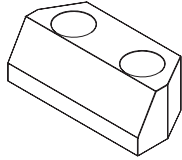
- A. Back cover
- B. Vertical brackets
- C. Mounting brackets
- D. Griplate™ & mounting hardware
- E. Aluminum block
- F. Base

Base dimensions:
1.00"(25.4) Hx 30.00"(762) W x 13.0"(330) D

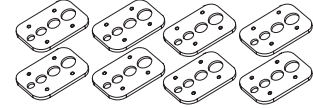
Parts list (1)

All if these parts are used to install the mounting bracket. Make sure that none of these parts are missing before beginning installation.

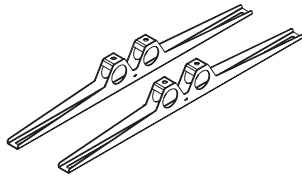
Aluminum Block



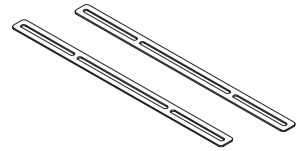
Griplate™ (Qty 8)



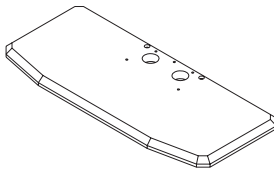
Mounting Brackets (Qty 2)



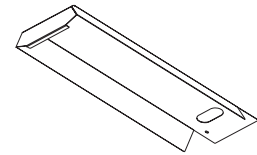
Vertical Brackets (Qty 2)



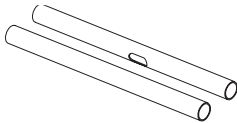
Base (Qty 1)



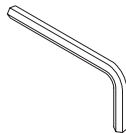
Back cover (Qty 1)



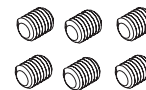
Tubes (Qty 2)



Allen Key (Qty 1)



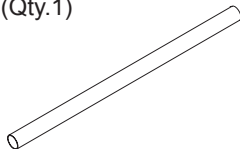
M8 x 10 Socket Head Screws



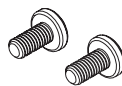
M6 x 16 Truss Screws



Thread Depth Indicator (Qty.1)



M5 x 10 Phillips Screws (Qty 2)



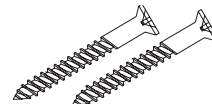
Rubber feet (Qty.4)



M5 x 30 Phillips Flat Head Screws (Qty 5)




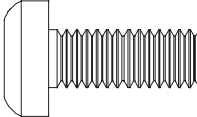
Wood Screws (Qty 2) (Optional Use)



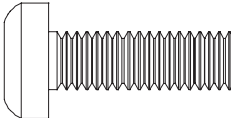
NOTE : This wall mount is shipped with all proper installation hardware and components. Make sure that none of these parts are missing before beginning installation.

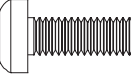
Actual screw size

M4 x 16  (Qty 8)

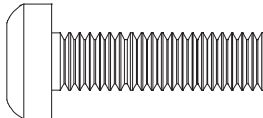
M8 x 20  (Qty 6)


M4 x 25  (Qty 4)

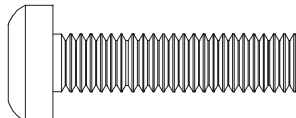
M8 x 25  (Qty 6)

M5 x 16  (Qty 8)

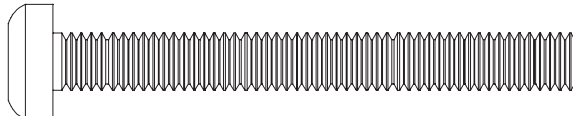
M5 x 20  (Qty 6)

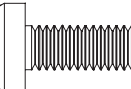
M8 x 30  (Qty 6)


M5 x 25  (Qty 4)

M8 x 35  (Qty 4)

M5 x 50  (Qty 4)

M8 x 70  (Qty 4)

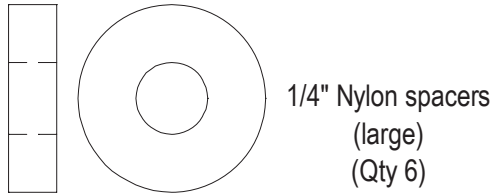
M6 x 16  (Qty 8)

M6 x 20  (Qty 6)

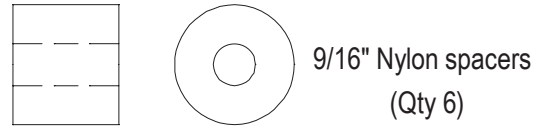
PLANAR

**Nylon spacers and flat washers
actual size**

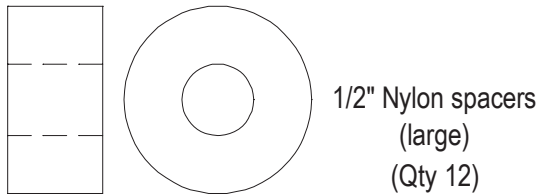
NOTE: The nylon spacers may be stacked to achieve proper spacing.



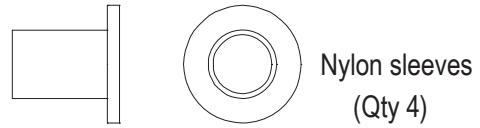
1/4" Nylon spacers
(large)
(Qty 6)



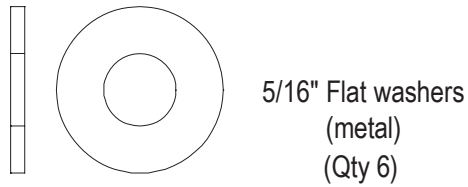
9/16" Nylon spacers
(Qty 6)



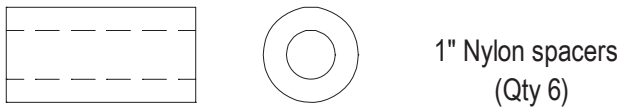
1/2" Nylon spacers
(large)
(Qty 12)



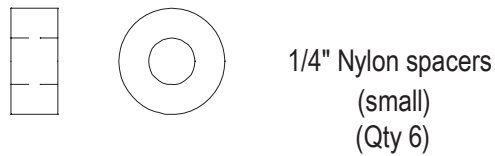
Nylon sleeves
(Qty 4)



5/16" Flat washers
(metal)
(Qty 6)



1" Nylon spacers
(Qty 6)



1/4" Nylon spacers
(small)
(Qty 6)

Checking the thread depth on your flat panel

1. Insert the thread depth indicator (supplied) through the thread inserts found on the back of the flat panel to make sure the inserts measure the same full depth and mark it. (See figure 1)

2. Locate the correct diameter screw for the thread insert. Compare your marking to the screws (supplied). If your selected screw is longer than the marking on the thread depth indicator **DO NOT USE** this screw. The screw length must not bypass the marking. Select another screw size (see figure 2 and 3). Until you find one that comes closest to your mark without going past.

Figure 1

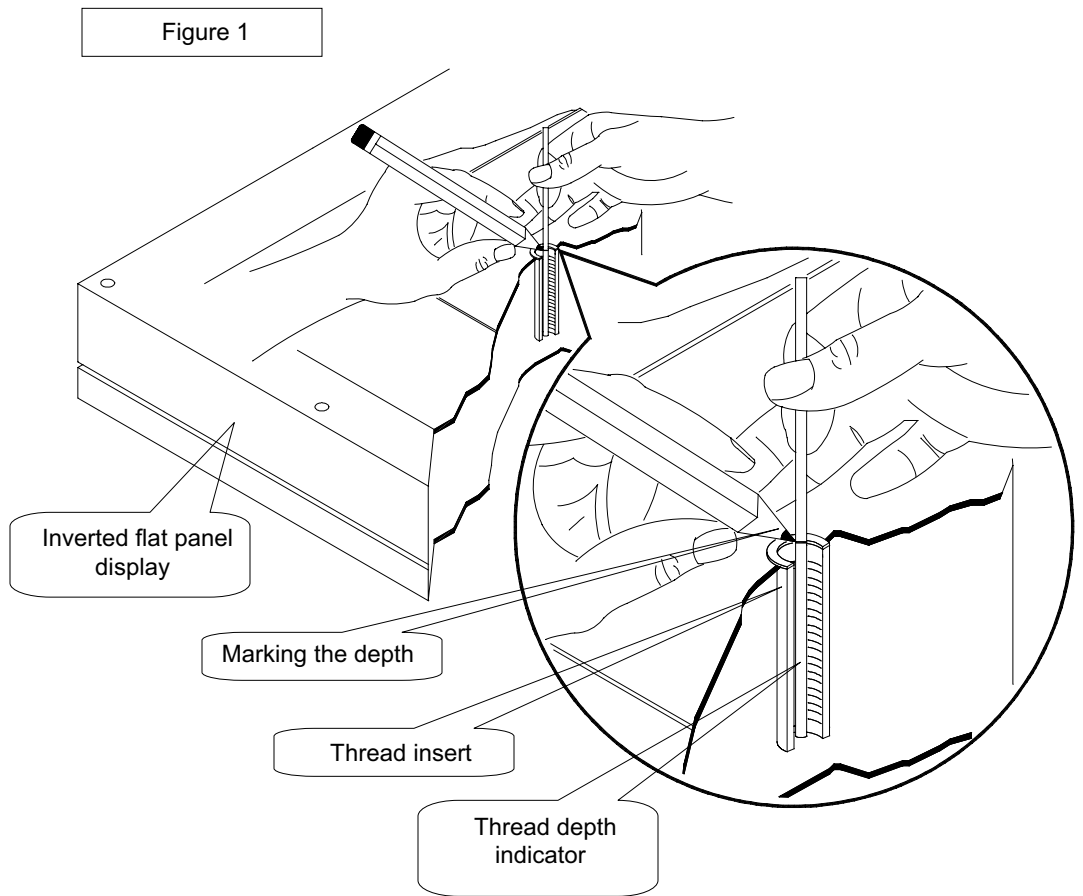


Figure 2

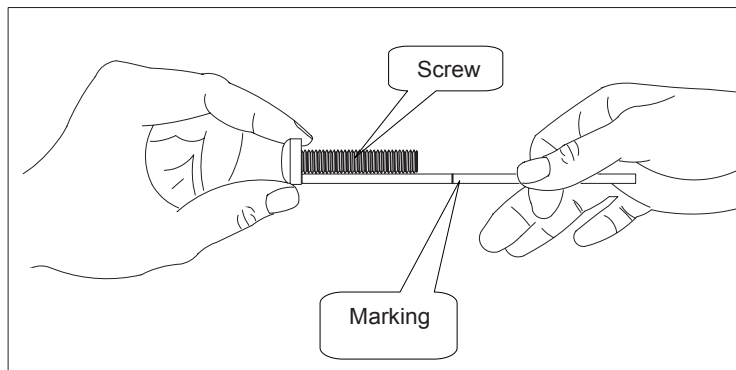
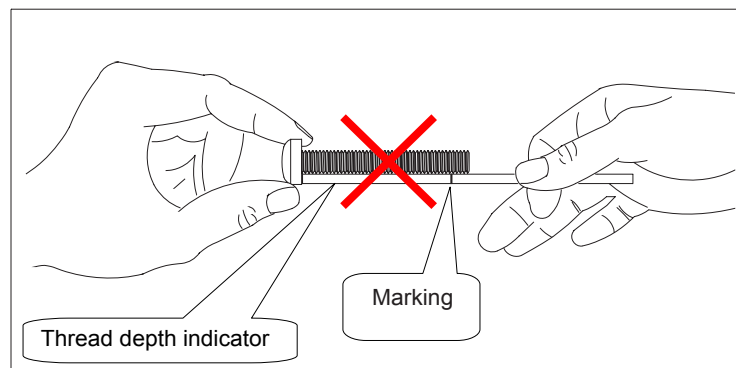


Figure 3



Building the stand

Step 1

Unpack the components from the box and set them on the floor. Invert and secure the rubber feet to the bottom of the base. Secure the aluminum block to the base as shown in (figure 1) to the base by using the five (5) M5 x 30 (mm) Phillips flat head screws (supplied). **CAUTION:** Do not over tighten the screws. Find a suitable location for the stand. See figure 1.

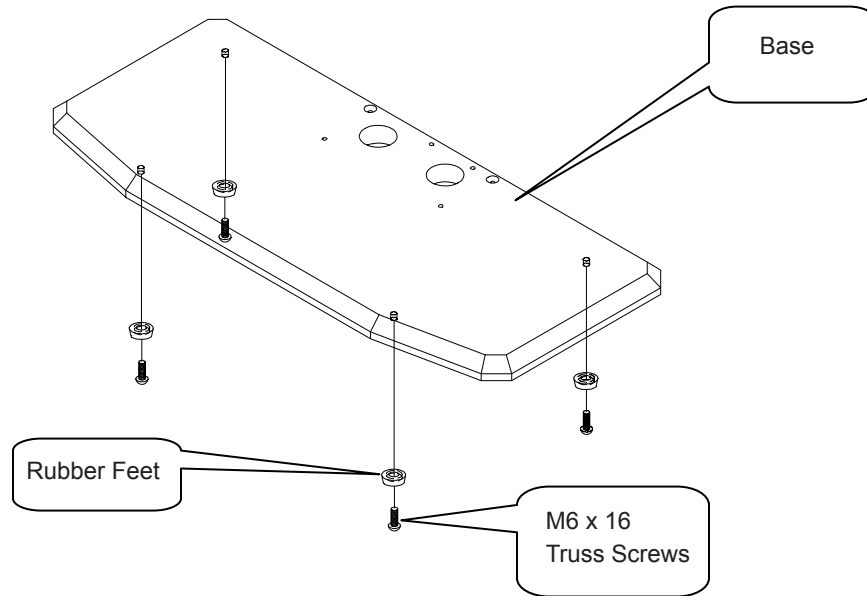
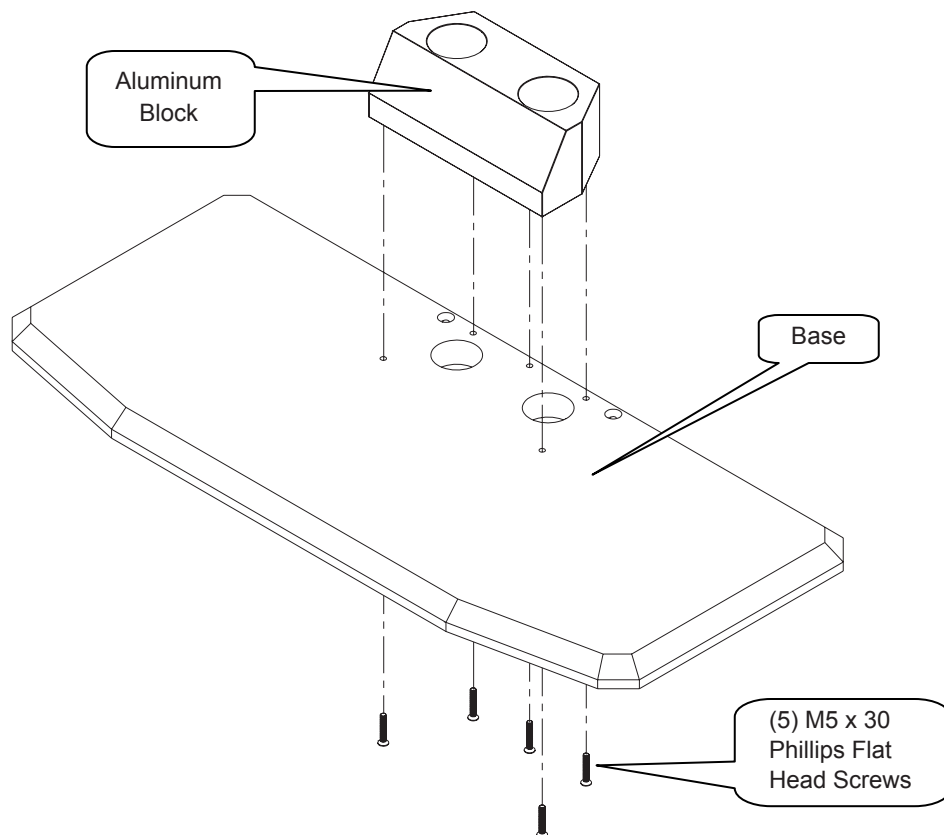


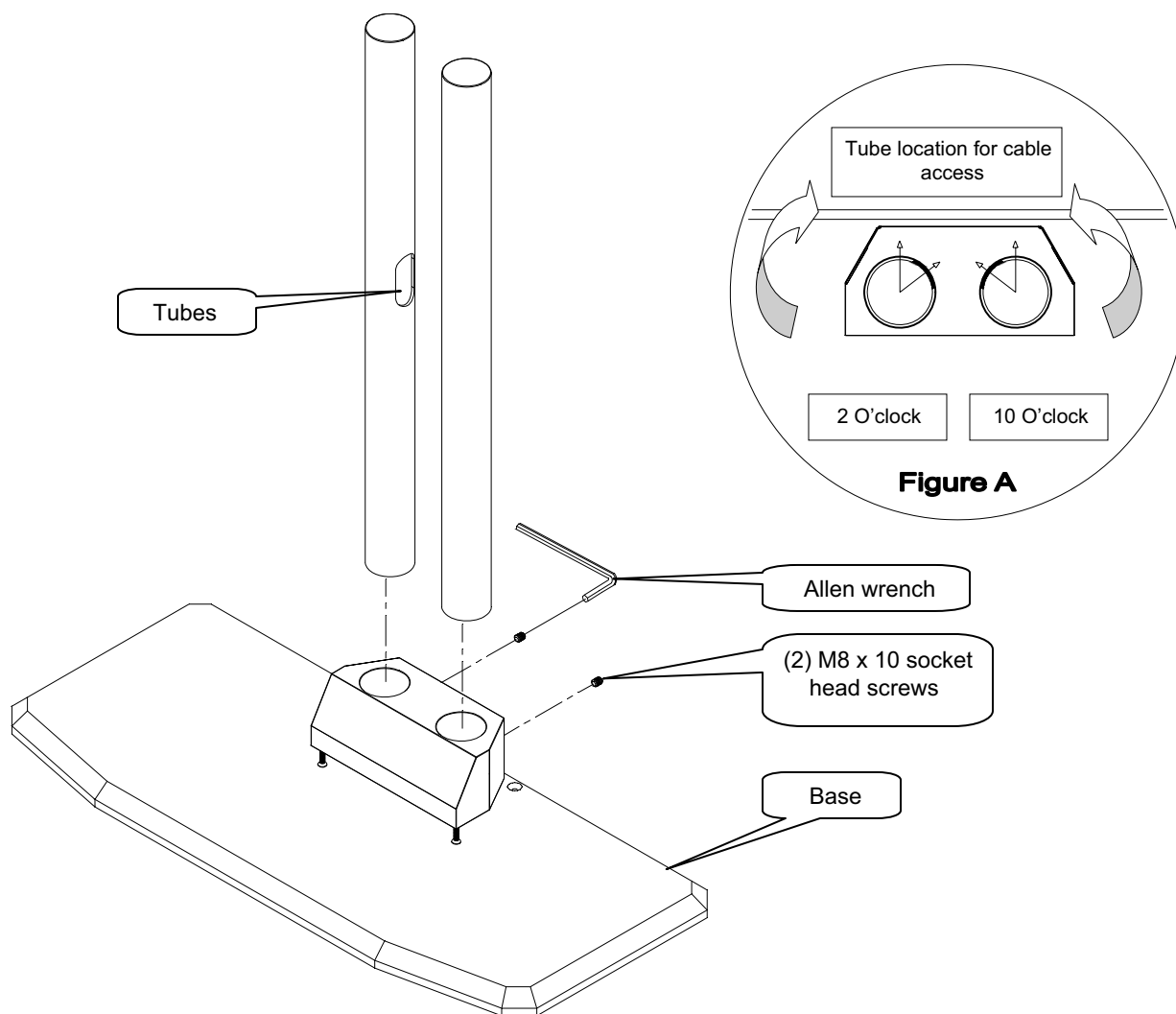
Figure 1



Step 2

Insert the tubes into the secured aluminum block. See diagram to set the cable access openings before tightening the set screws. See figure A. Once the poles are fully inserted into the block and set to their proper positions lock the tubes by tightening the two (2) M8 socket head screws. **Do not over tighten the set screws.** See figure 2.

Figure 2

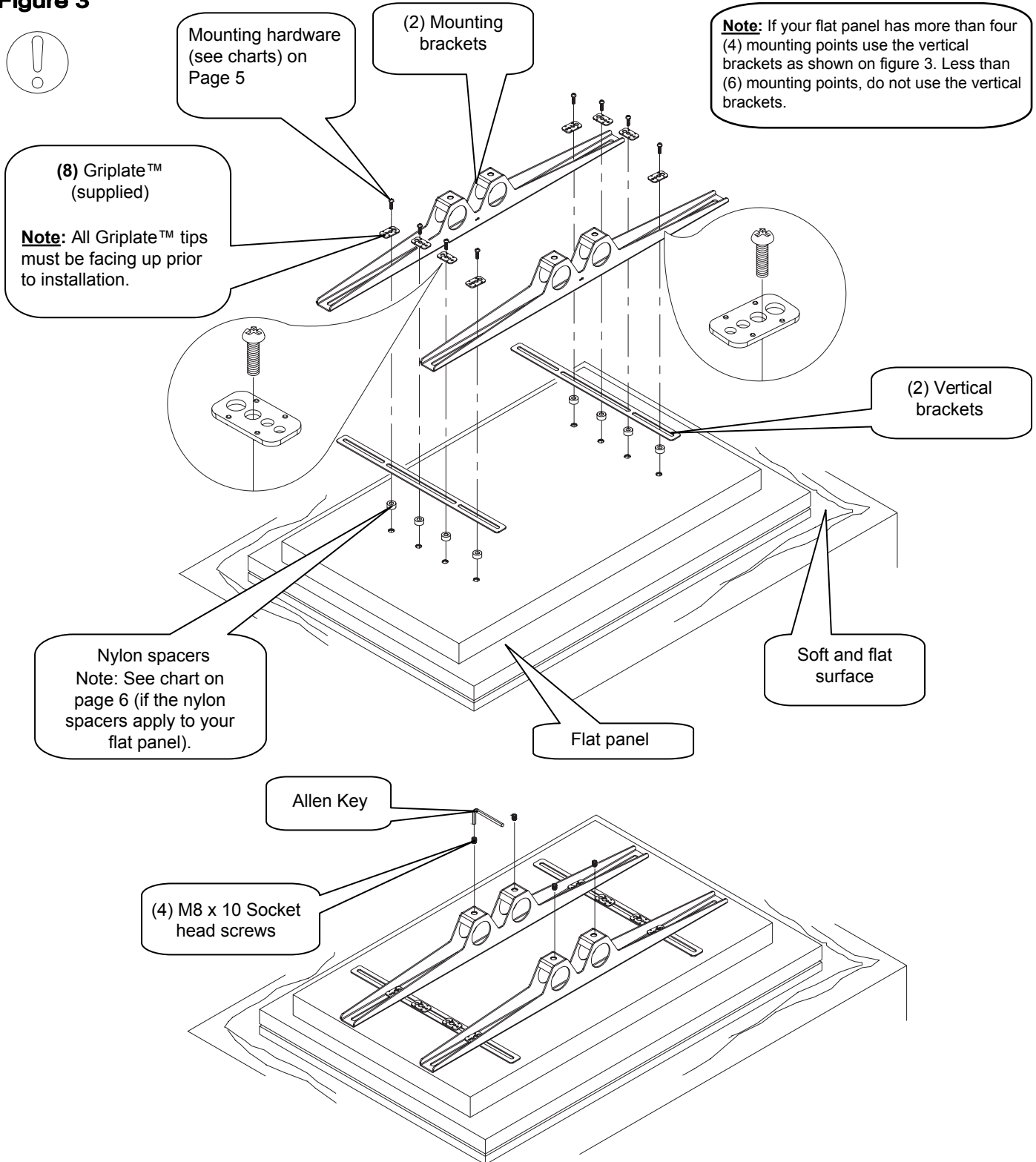


Securing the mounting brackets

Step 3

Invert the flat panel display and lay it on a soft and flat surface. Apply the vertical brackets and center the mounting brackets from left to right on the display. Secure the mounting brackets with the hardware and Griplate™ (supplied). **NOTE** : The Griplate™ come with an M4, M5, M6 and M8 access holes. Find out what your proper hardware for your flat panel will be and use accordingly. Do not over tighten the hardware. See figure 3.

Figure 3



Securing the flat panel to the stand

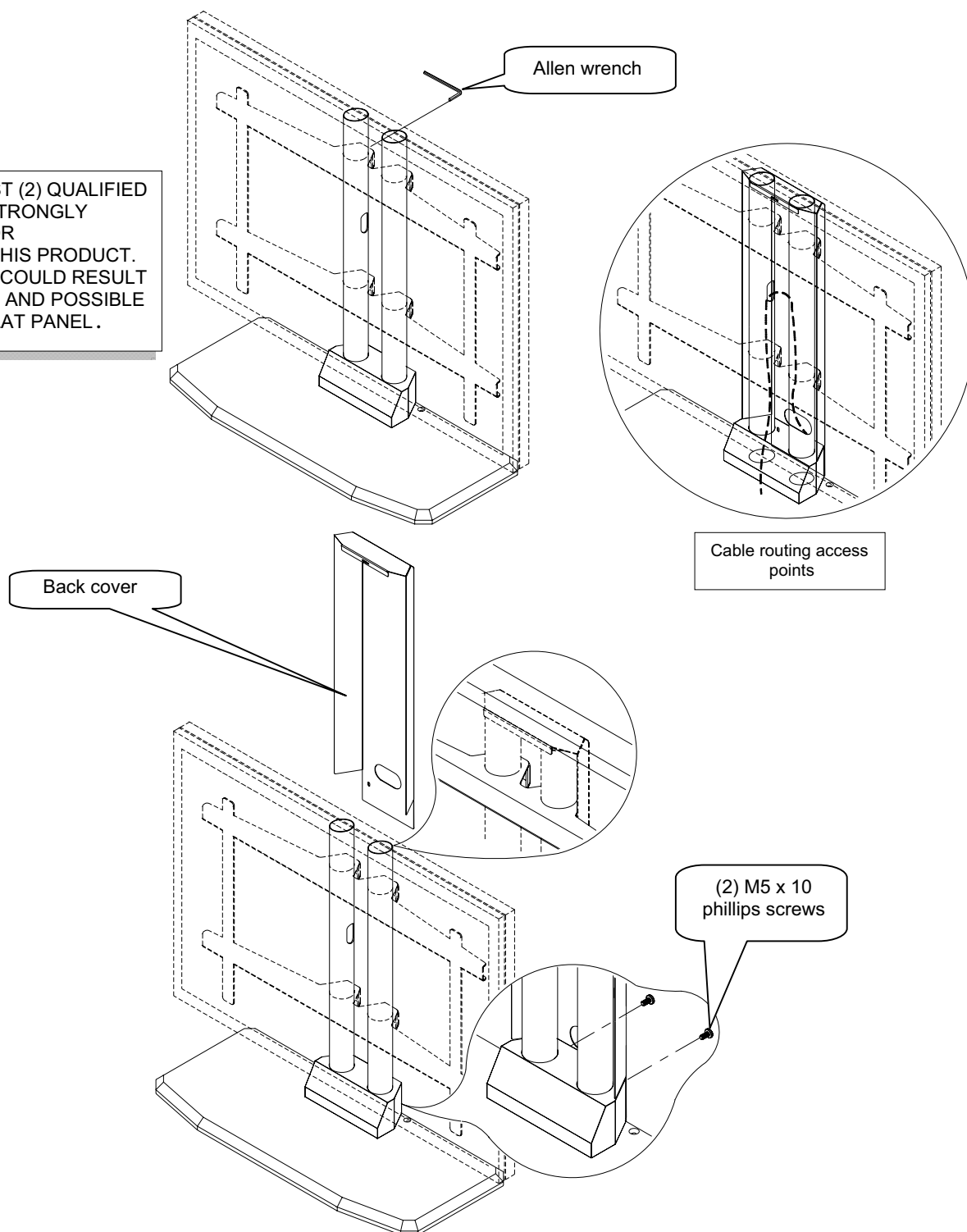
Step 4

Raise the display (**see warning on this page**) and slide the mounting brackets over the tubes, set the height required and using the Allen wrench secure the height by tightening the four (4) M8 socket head screws. Do not over tighten the screws. Make all proper connections at this time. Install the back cover plate and secure it using two (2) M5 x 10 phillips screws (supplied).

Figure 4



WARNING: AT LEAST (2) QUALIFIED PERSONNEL ARE STRONGLY RECOMMENDED FOR INSTALLATION OF THIS PRODUCT. FAILURE TO DO SO COULD RESULT IN SERIOUS INJURY AND POSSIBLE DAMAGE TO THE FLAT PANEL.



(Optional) fixed installation

Step 5

If securing to a wood table, secure the stand with the two (2) #10 x 1-3/4" wood screws (supplied). **NOTE:** Longer or shorter wood screws and or mounting hardware depending on your installation environment are (commercially available).

Figure 5

