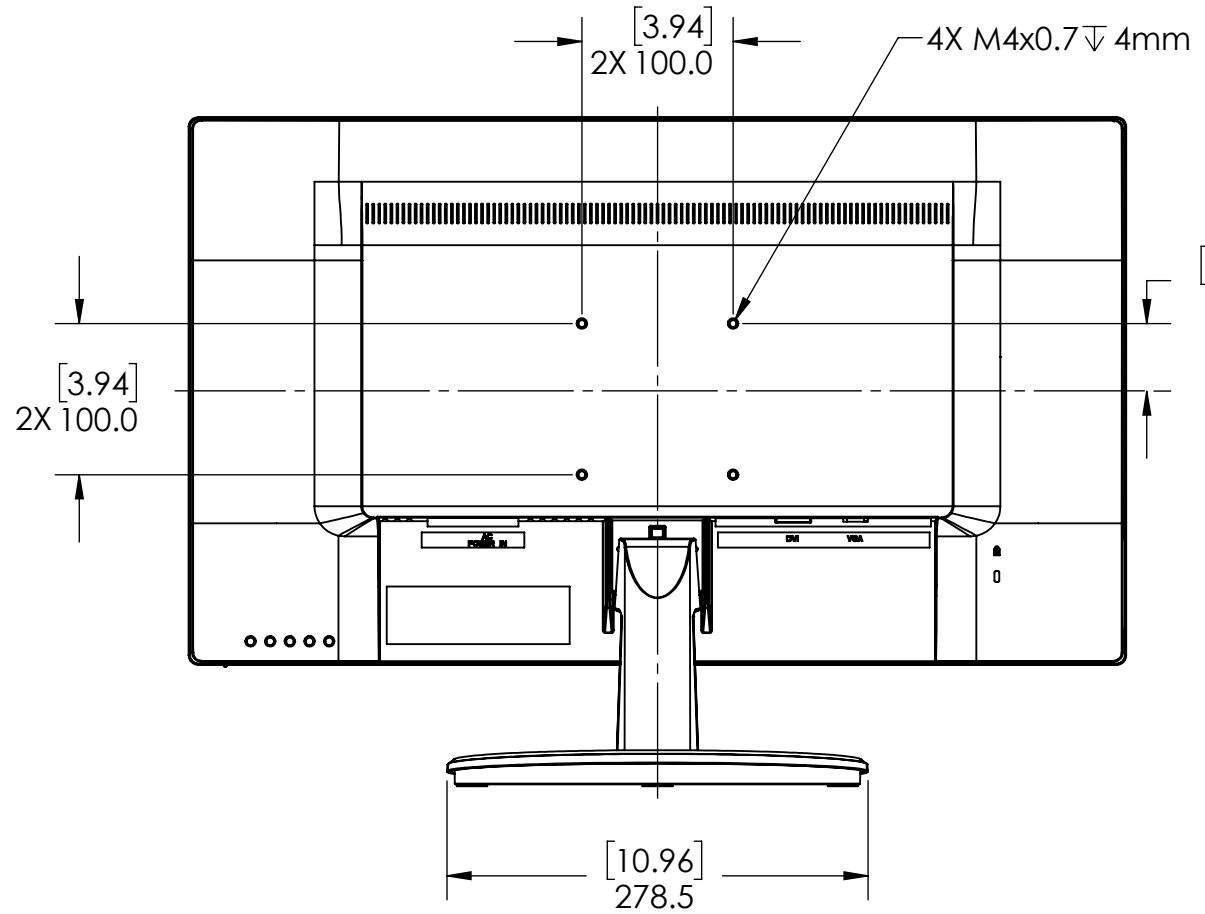
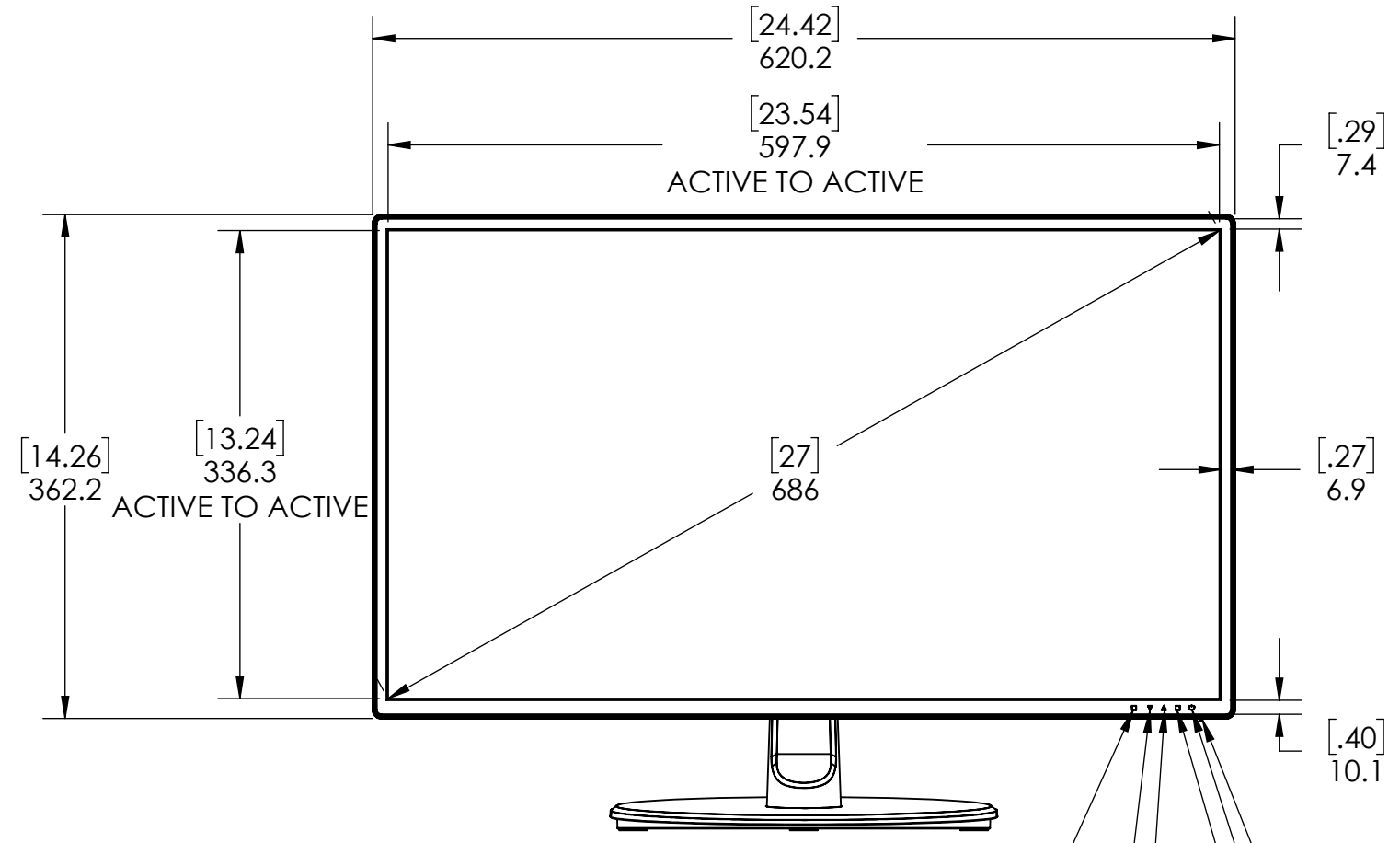


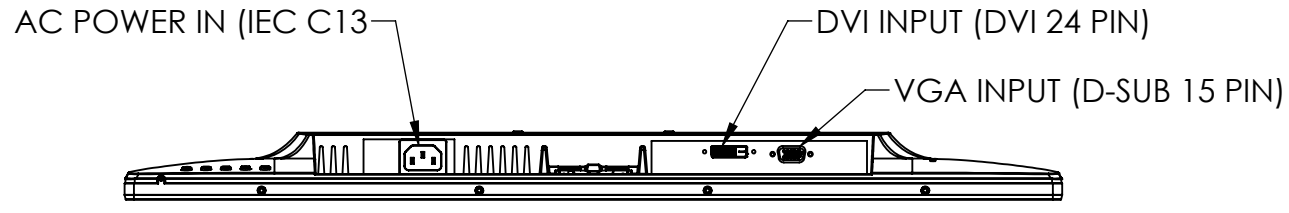
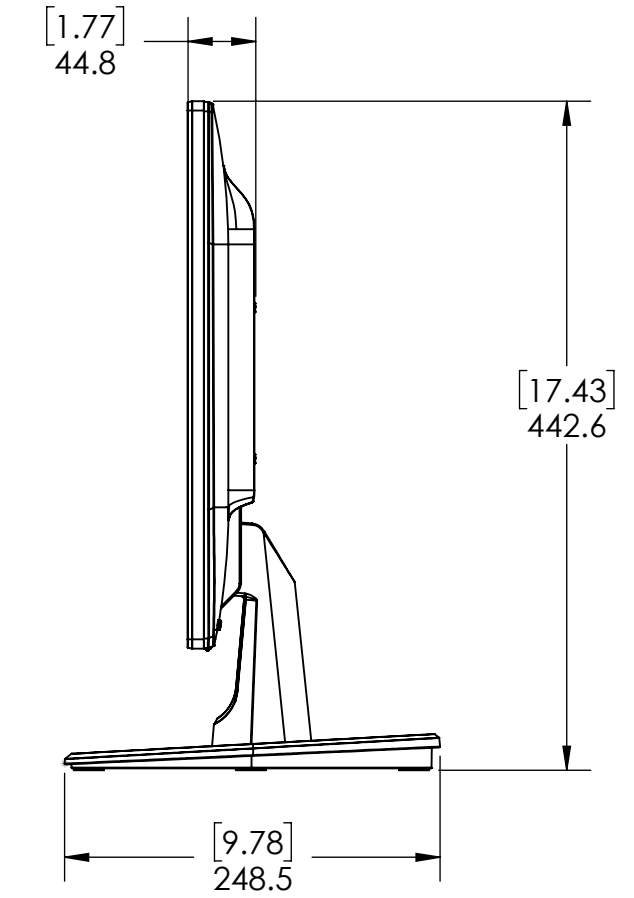
REVISION HISTORY					
ECO	ZONE	REV.	DESCRIPTION	DATE	APPR'D
7468		A	DRAWING UPDATE	6/24/2016	EPB



BACK SIDE



- MENU ON/OFF
- LED POWER INDICATOR
- POWER ON/ OFF
- INPUT SELECTION/ CONFIRM SELECTION
- SCROLL UP/ ADJUST INCREASE/ BLUE LIGHT REDUCER
- SCROLL DOWN/ ADJUST DECREASE/ AUDIO ADJUST/ AUTO



STAND REMOVED FOR CLARITY

1. SPECIFICATIONS SUBJECT TO CHANGE WITHOUT NOTICE  
 NOTES: UNLESS OTHERWISE SPECIFIED

THIS DRAWING CONTAINS INFORMATION PROPRIETARY TO PLANAR SYSTEMS, INC.. ANY REPRODUCTION IN PART OR WHOLE WITHOUT THE WRITTEN PERMISSION OF PLANAR SYSTEMS IS PROHIBITED. THIS DRAWING IS SUPPLIED FOR INFORMATION, IDENTIFICATION, ENGINEERING, EVALUATION, AND/OR INSPECTION PURPOSES ONLY AND MAY NOT BE USED AS BASIS FOR THE MANUFACTURING OF PRODUCTS OR THE FURNISHING OF SERVICES TO PLANAR SYSTEMS OR TO ANY THIRD PARTY UNLESS AUTHORIZED IN WRITING BY PLANAR SYSTEMS.

UNLESS OTHERWISE SPECIFIED DIMENSIONS ARE IN MILLIMETERS (INCHES).		ENGR BY			PLANAR SYSTEMS, INC. 1195 NW COMPTON DRIVE BEAVERTON, OR 97006 USA
TOLERANCES:		DRAWN BY	EPB		
X = ±1	.XX = ±.25	CHECKED BY		TITLE	
X = ±.5	∠ = ±1°	USED ON		PLN2770W	
DIMENSIONING AND TOLERANCING PER ASME Y14.5M-1994		MATERIAL		SIZE	PART NO.
THIRD ANGLE PROJECTION		FINISH		C	997-8371-00
				DRAWING NO.	REV
				997-8371-00	A
				SCALE	SHEET
				1:5	1 OF 1
				DO NOT SCALE	