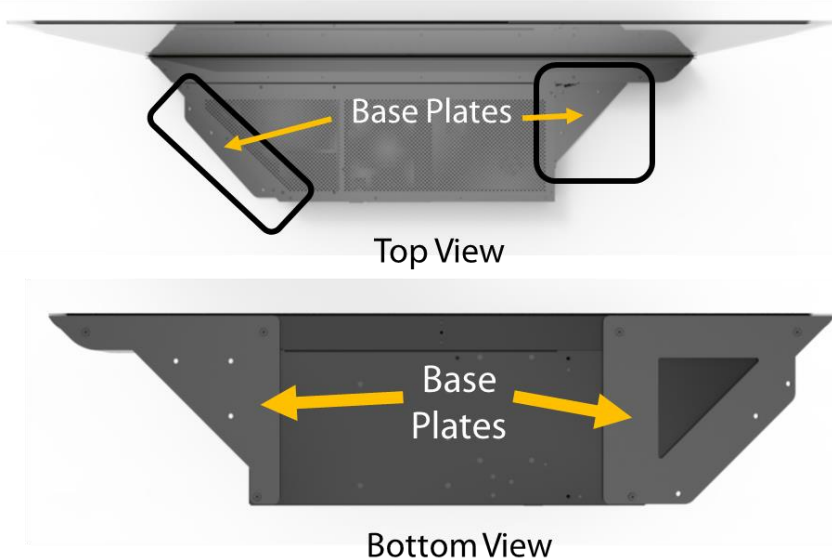


# LO55 Base Plates for Planar® LookThru™ OLED Transparent Display

## LO55 Base Plates, (Total Pcs = 2)

- LO55 Base Plates (Planar PN 935-0425-XX) are used for ceiling, wall, or tabletop mounting of the Planar LookThru OLED Transparent Display LO55 and LO55-Touch (Standard Models only, not Straightmount).
- LO55 Base Plates support either landscape or portrait orientation.
- See the Figure A for the location of LO55 Base Plates (top and bottom views)

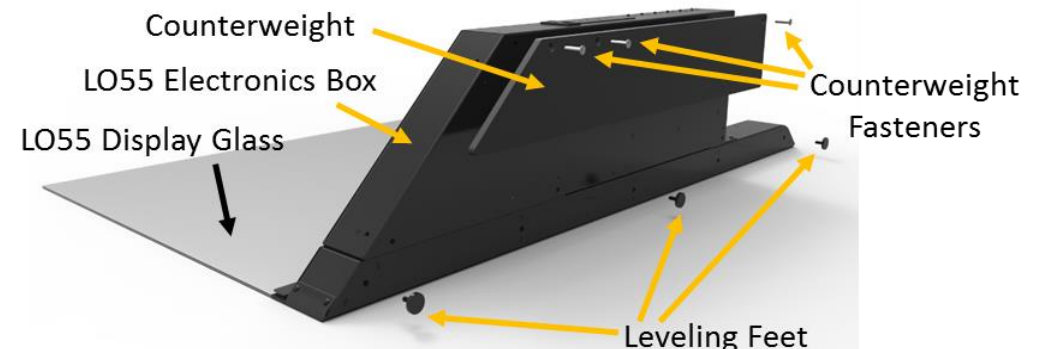
Figure A



## Removing the Counterweight

- Before installing the LO55 Base Plates, the LO55 Counterweight must be removed.
- To access the LO55 Counterweight, Planar recommends using two people. Handle the Planar LO55 using the Electronics Box and the lower portion of the Display Glass. Do not support the LO55 using only the display glass.
- Carefully lay the Display Glass on a suitable countertop with a soft surface to prevent scratching the Display Glass. This will position the Electronics Box perpendicular to the countertop to access the leveling feet and counterweight fasteners. See Figure B.
- Use a Phillips screwdriver to remove the Counterweight Fasteners. Then remove the LO55 Counterweight and Leveling Feet.
- **CAUTION:** Once the LO55 Counterweight has been removed, the Electronics Box must be clamped to a countertop to prevent possible tipping when upright.

Figure B

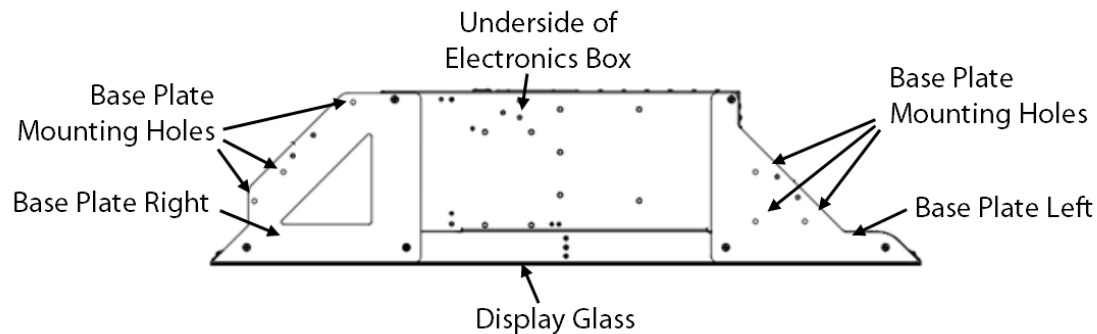


# LO55 Base Plates for Planar® LookThru™ OLED Transparent Display

## LO55 Base Plates Mounting Holes

- There are three 7.94 mm (0.31") mounting holes on each LO55 Base Plate.
  - The mounting holes are for attachment to the Planar LookThru OLED transparent display structure.
  - Refer to the Figure C for location of the three mounting holes in each LO55 Base Plate.
- We strongly recommend all three holes in both LO55 Base Plates be used to mount to your structure.
- The mounting holes are positioned to accommodate standard 16" stud centers.
- Figure D shows top view dimensions to define the location of the mounting holes.
- We strongly recommend using the six included M6 fasteners to attach the LO55 Base Plates to the Planar LookThru OLED transparent display.

**Figure C**  
**Bottom View of LO55 Display**  
**(Counterweight removed and Base Plates Installed)**



**Figure D**  
**Top View Dimensions of an LO55**  
**with Installed LO55 Base Plates**

