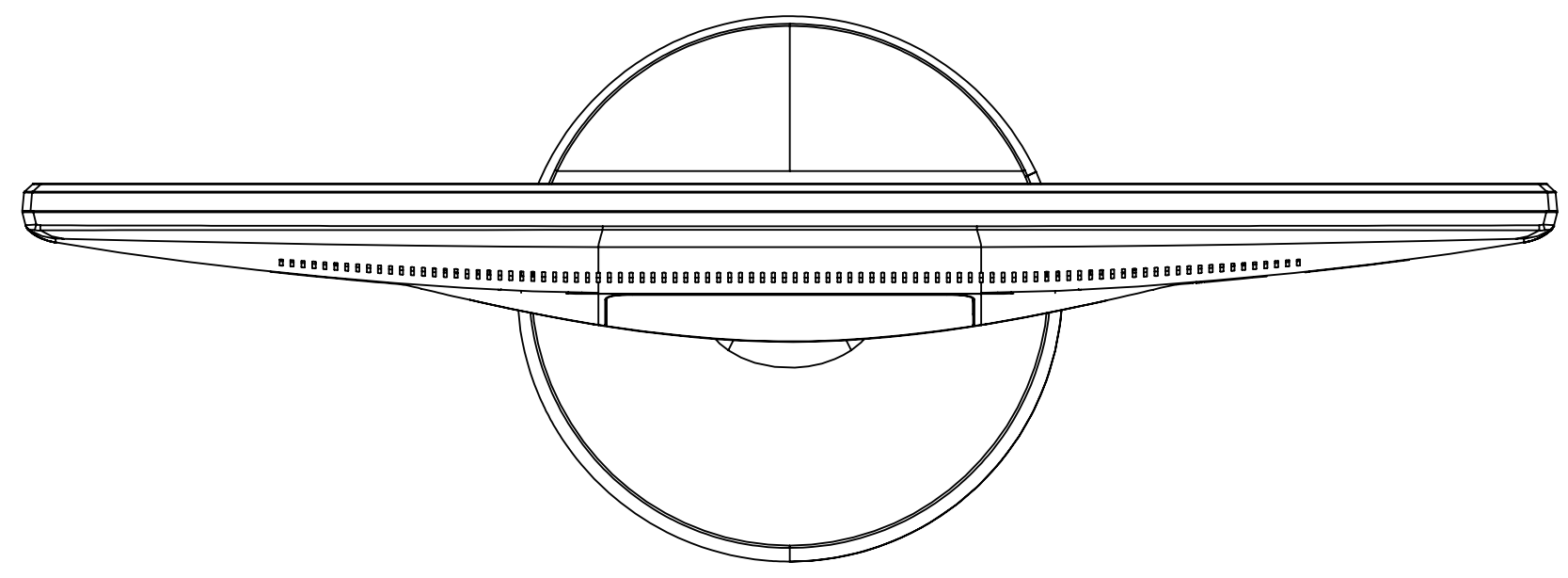
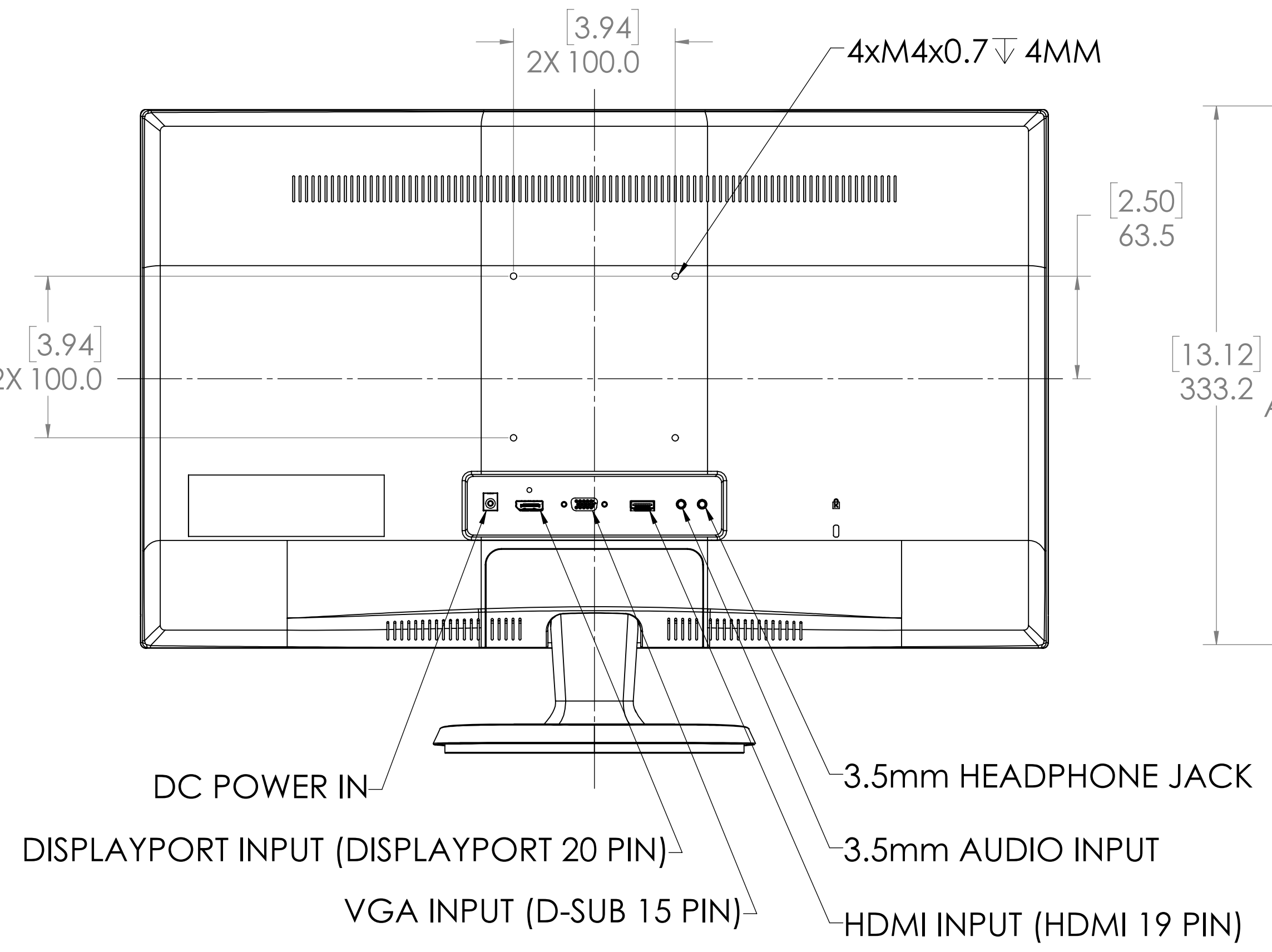


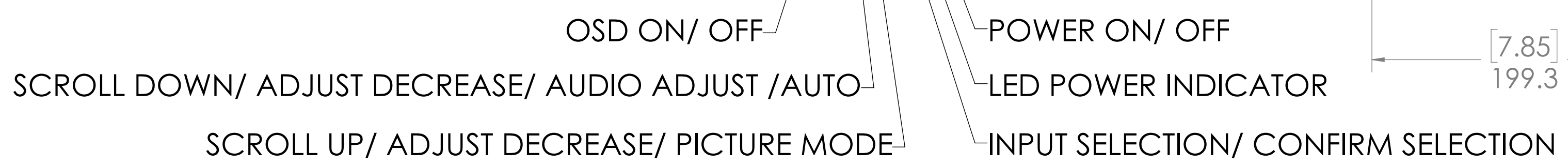
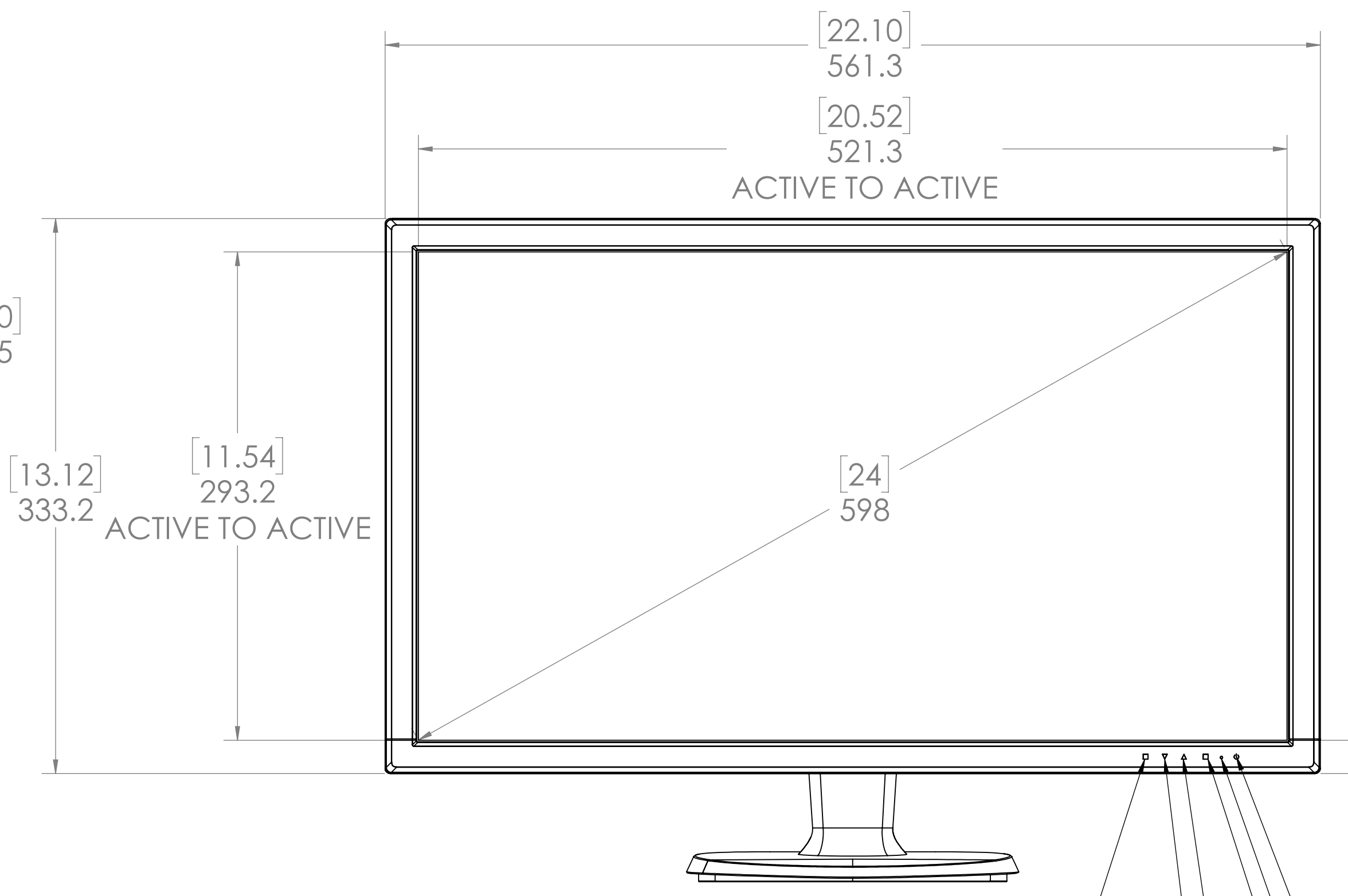
REVISION HISTORY					
ECO	ZONE	REV.	DESCRIPTION	DATE	APPR'D



TOP VIEW



BACK SIDE



- SPECIFICATIONS ARE SUBJECT TO CHANGE WITHOUT NOTICE
 - AC 100~240V INPUT, DC 12V OUTPUT (AC/ DC ADAPTER INCLUDED)
- NOTES: UNLESS OTHERWISE SPECIFIED

UNLESS OTHERWISE SPECIFIED: DIMENSIONS ARE IN MILLIMETERS [INCHES]		ENGR BY			PLANAR SYSTEMS, INC. 1195 NW COMPTON DRIVE BEAVERTON, OR 97006 USA
TOLERANCES:		DRAWN BY	EPB		
X= ±1	XX= ±.25	CHECKED BY		TITLE	PXL2470MW
.X= ±.5	∠= ±1°	USED ON		SIZE	D
DIMENSIONING AND TOLERANCING PER ASME Y14.5M-1994		MATERIAL		PART NO	997-7346-00
THIRD ANGLE PROJECTION		FINISH		DRAWING NO	997-7346-00
				REV	A
SCALE	1:2.6	DO NOT SCALE	SHEET	1 OF 1	

THIS DRAWING CONTAINS INFORMATION PROPRIETARY TO PLANAR SYSTEMS, INC. ANY REPRODUCTION IN PART OR WHOLE WITHOUT THE WRITTEN PERMISSION OF PLANAR SYSTEMS IS PROHIBITED. THIS DRAWING IS SUPPLIED FOR INFORMATION, IDENTIFICATION, ENGINEERING, EVALUATION, AND/OR INSPECTION PURPOSES ONLY AND MAY NOT BE USED AS BASIS FOR THE MANUFACTURING OF PRODUCTS OR THE FURNISHING OF SERVICES TO PLANAR SYSTEMS OR TO ANY THIRD PARTY UNLESS AUTHORIZED IN WRITING BY PLANAR SYSTEMS.