



**PT1745R / PT1745P**  
**Touch Screen Monitor**

**USER'S GUIDE**

[www.planar.com](http://www.planar.com)

The information contained in this document is subject to change without notice. This document contains proprietary information that is protected by copyright. All rights are reserved. No part of this document may be reproduced, translated to another language or stored in a retrieval system, or transmitted by any means, electronic, mechanical, photocopying, recording, or otherwise, without prior written permission. Windows is a registered trademark of Microsoft, Inc. Other brand or product names are trademarks of their respective holders.

The test results show that this device meets the FCC rules. Those limits are set to protect residential areas from the devices with harmful emission. This device will produce, use and radiate radio frequency energy. In addition, failure to follow the user's manual to install or use this device might produce harmful interference with radio communication. Notwithstanding the foregoing, it does not guarantee that this type of harmful interference does not occur in some special installations. The interference caused by this device to the reception of radio or television signals may be verified by turning it on and off. Any changes or modifications to this TFT LCD would void the user's authority to operate this device.

For more information on how to recycle your product, please visit [WWW.PLANAR.COM/GREEN](http://WWW.PLANAR.COM/GREEN).

# Table of Contents

## Usage Notice

Precautions ..... 1

## Introduction

About PT1745R/PT1745P ..... 2  
Touch Screen for PT1745R ..... 3  
Touch Screen for PT1745P ..... 3  
Package Overview ..... 4

## Installation

Product Overview ..... 5  
    Front View ..... 5  
    PT1745R Bottom View (Without Stand) ..... 5  
    PT1745P Bottom View (Without Stand) ..... 5  
Start Your Installation ..... 6  
Connecting the Display (Figure 8.1) ..... 7  
    (Figure 8.1) ..... 8  
Kensington Security Slot ..... 9  
VESA Mount Your Monitor ..... 10  
    Remove the Deskstand ..... 11

## User Controls

Side Panel Controls ..... 12  
How to Use the OSD Menus ..... 13  
On-Screen Display Menus ..... 14

## Appendix

Troubleshooting ..... 15  
Warning Signal ..... 16  
    No Signal ..... 16  
    Going to Sleep ..... 16  
    Out of Range ..... 16  
Product Dimensions ..... 17  
    PT1745R ..... 17  
    PT1745P ..... 18  
Compatibility Modes ..... 19  
Touch Screen Driver Installation ..... 20  
    PT1745R Optional Calibration Tool Install ..... 20  
    PT1745P Optional Calibration Tool Install ..... 21  
    PT1745R Driver Install Instructions ..... 23  
    PT1745P Driver Install Instructions ..... 25  
Technical Support ..... 26

# Usage Notice



**Warning** - To prevent the risk of fire or shock hazards, do not expose this product to rain or moisture.



**Warning** - Please do not open or disassemble the product as this may cause electric shock.

## Precautions

Follow all warnings, precautions and maintenance as recommended in this user's manual to maximize the life of your unit.

### **Do:**

- Turn off the product before cleaning.
- Touch screen surface may be cleaned using a soft clean cloth moistened with mild window glass commercial cleaners or 50/50 mixture of water and isopropyl alcohol.
- Use a soft cloth moistened with mild detergent to clean the display housing.
- Use only high quality and safety approved AC/DC adapter.
- Disconnect the power plug from AC outlet if the product is not going to be used for an extended period of time.

### **Don't:**

- Do not touch the LCD Display screen surface with sharp or hard objects.
- Do not use abrasive cleaners, waxes or solvents for your cleaning.
- Do not operate the product under the following conditions:
  - Extremely hot, cold or humid environment.
  - Areas susceptible to excessive dust and dirt.
  - Near any appliance generating a strong magnetic field.
  - In direct sunlight.

# Introduction

## About PT1745R/PT1745P

The PT1745R/PT1745P is a 17" flat panel screen with an active matrix, thin-film transistor (TFT) liquid crystal display (LCD).

This unit is to be used as commercial and light industrial equipment only.

### Features include:

- Direct Analog signal input
- Active matrix TFT LCD technology
- 1280 x 1024 SXGA resolution
- 17" viewable display area
- 31.47 ~ 80 KHz horizontal scan
- 56 ~ 75 Hz high refresh rate
- 0.264mm x 0.264mm pixel pitch
- Auto adjustment function
- Multilingual OSD user control
- Kensington security slot
- 100 mm VESA mount
- Removable base for flexible mounting solutions.
- PT1745R - 5-wire resistive touch screen with dual RS-232 Serial/USB controller.
- PT1745P - Projected Capacitive touch screen with USB controller
- Build-in audio-1W x 2

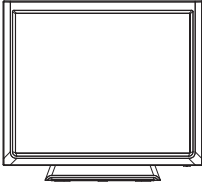
## Touch Screen for PT1745R

- Analog 5-wire resistive touch screen for finger and stylus input
- Surface: Anti-glare treatment
- Interface: Dual RS-232 Serial/USB controller
- PT1745R Transmittance: 82%±5%
- Driver: Windows® 7/8, VISTA, XP, 2000, ME, 98, NT 4.0, CE, XP Embedded, Linux kernel 2.6.x(32 bit & 64 bit), Apple® Mac OS

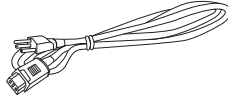
## Touch Screen for PT1745P

- Projected Capacitive touch screen for finger input only
- Surface: Glare treatment
- Interface: USB controller
- Transmittance: 90±5%
- HID: Windows® 7/8
- Driver: Windows® 7/8, VISTA, XP, 2000, CE, XP Embedded, Linux kernel 2.6.x (32 bit & 64 bit), Apple® Mac OS

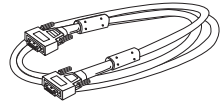
# Package Overview



Display



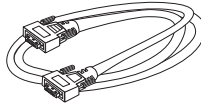
Power Cord



VGA Signal Cable



USB Cable ( A to B)



RS-232 Cable  
(PT1745R only)



Audio-in Cable



Cable Cover Screw



Landing Strip

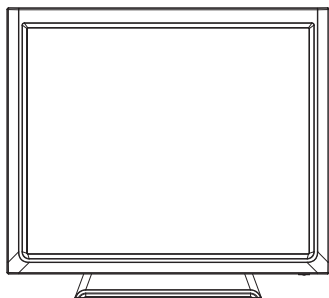


User's Guide

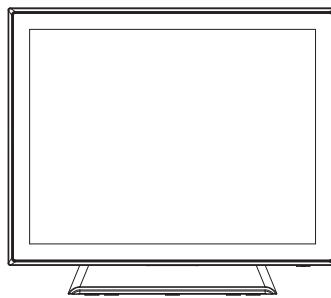
# Installation

## Product Overview

- Front View

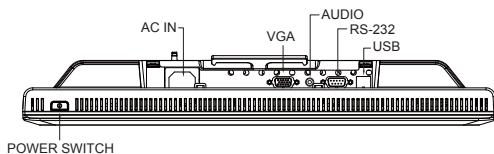


PT1745R

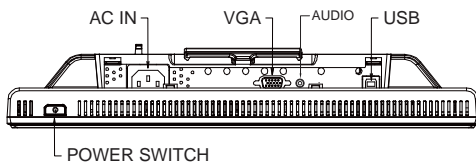


PT1745P

- PT1745R Bottom View (Without Stand)



- PT1745P Bottom View (Without Stand)

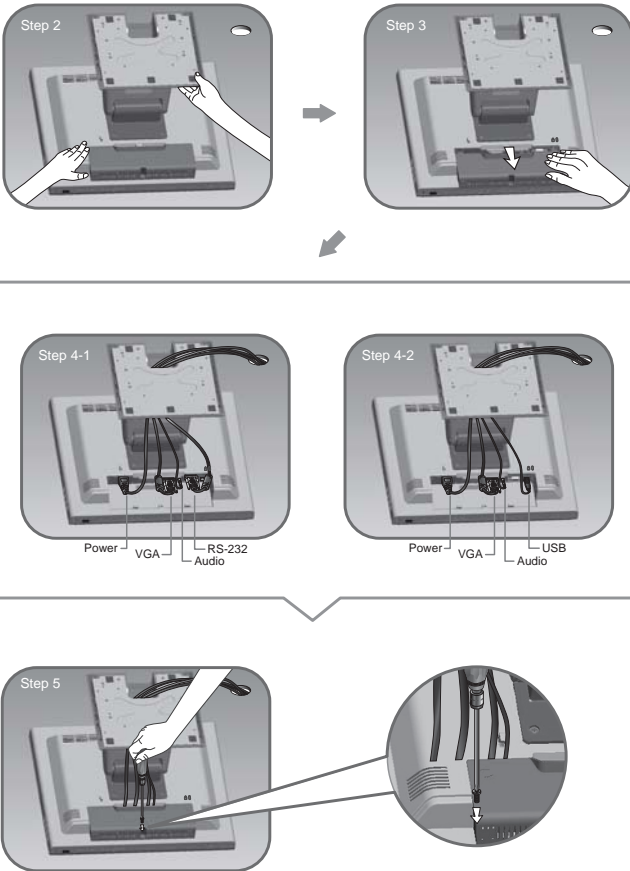




# Start Your Installation

Please follow these instructions so that you can hookup the cables to associated connector.

1. Lay the display flat on an even surface.
2. Move the stand into position as seen in the step 2 diagram.
3. Remove the cable cover as seen in the step 3 diagram.
4. Connect the cables to the appropriate connectors as seen in the step 4 diagram. Use step 4-1 diagram if using the RS-232 serial connector. Use the step 4-2 diagram if using the USB connector.
5. Position all cables under the cover lip as seen in the step 5 diagram.
6. Re-attach the cable cover . Remove the screw (CBM M3x6) from the accessory box, and insert the screw into the cable cover and monitor as seen in the step 5 diagram.



## Connecting the Display (Figure 8.1)

To setup this display, please refer to the following figure and procedures.

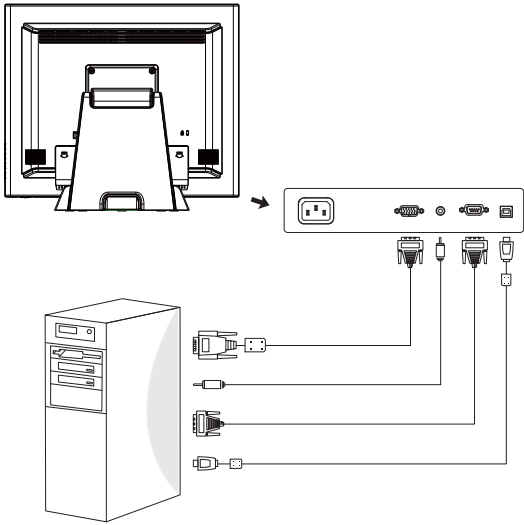
1. Be sure all equipment is turned off.
2. Connect the AC power cord to the power connector on the monitor and the other end into an electrical outlet (8.1).
3. Connect the D-SUB cable from the display's VGA input connector to the D-SUB connector of your host computer and tighten the screws (8.1).
4. Connector the audio-in cable from the audio input port of your display to the audio out port of your computer (8.1).
5. Connect the RS-232 or USB cable from the RS-232 or USB port of your display to the RS-232 port or USB port (8.1) of your computer.
6. Configure the touch screen. Refer to the "Touch Screen Driver Installation" section on page 20.
7. Once the touch screen is configured, the monitor is ready for use.

### **Notice!**

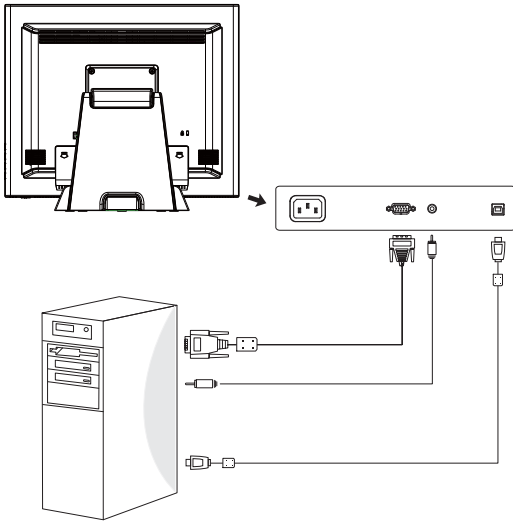
***To ensure the display works well with your computer, please configure the display mode of your graphics card to make it less than or equal to 1280 x 1024 resolution and make sure the timing of the display mode is compatible with the LCD display. We have listed the compatible "Video Modes" of your display in the appendix (on page 19) for your reference.***

**(Figure 8.1)**

**PT1745R**

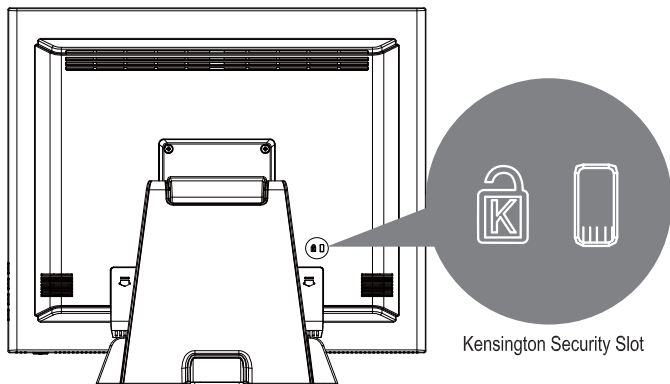


**PT1745P**



## Kensington Security Slot

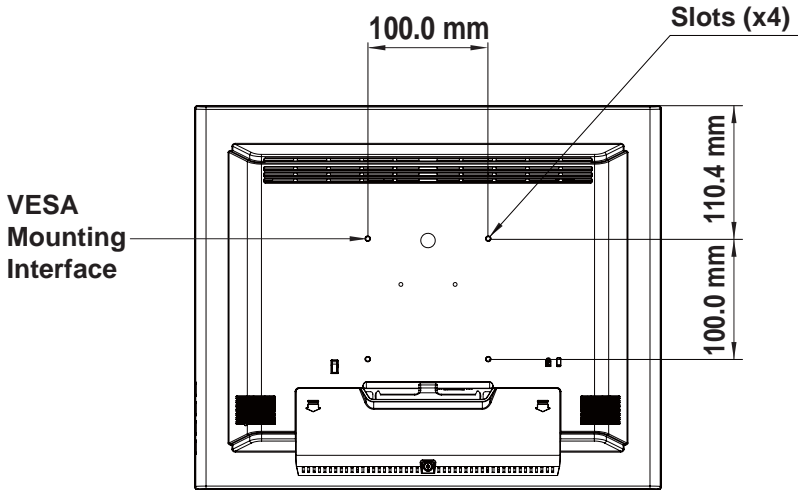
The monitor can be secured to your desk or any other fixed object with Kensington lock security products. The Kensington lock is not included.



# VESA Mount Your Monitor

This monitor conforms to the VESA Flat Panel Mounting Physical Mounting Interface standard which defines a physical mounting interface for flat panel monitors, and corresponding with the standards of flat panel monitor mounting devices, such as wall and table arms. The VESA mounting interface is located on the back of your monitor.

To mount the monitor on an UL-listed certified swing arm or other mounting fixture, follow the instructions included with the mounting fixture to be used.



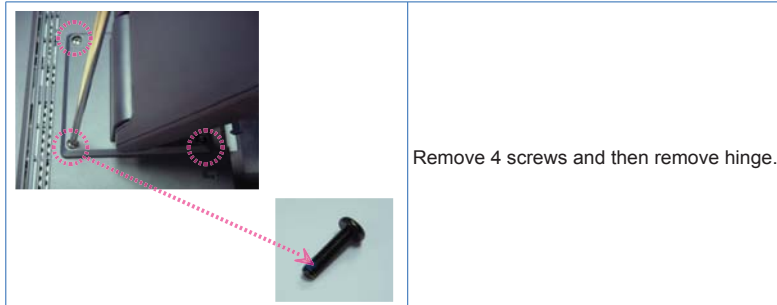
## **Warning!**

*Please select the proper screws!*

*The distance between the back cover surface and the bottom of the screw hole is 11 mm. Please use four M4 screws diameter with proper length to mount your monitor.*

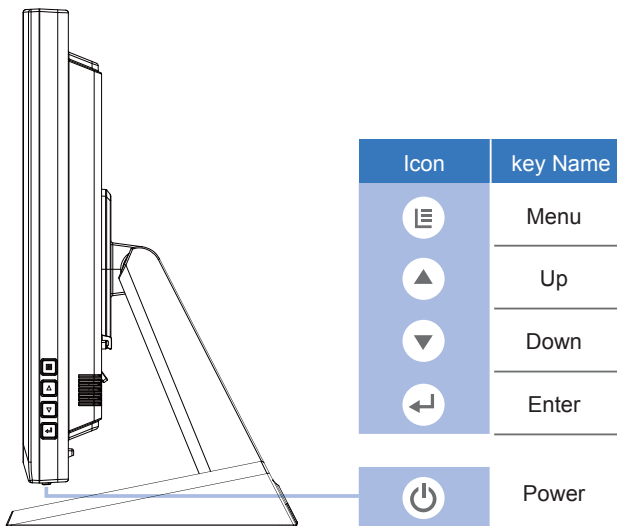
*Please note: the mounting stand must be able to support at least 11 lbs ( 5Kg).*

## Remove the Deskstand



# User Controls

## Side Panel Controls



OSD Key	Menu off status	Menu on status
	Menu appear	Menu disappear/ return to main item
	Brightness	Main item select up/ Adjust up
	Mute	Main item select down/ Adjust down
	Enter/Select sub-item function	
	Power On/Off	

# How to Use the OSD Menus

Icon	Key Name
	Menu
	Up
	Down
	Enter
	Power

1. Press the “MENU” button to pop up the “on-screen menu” and press “Up” or “Down” button to select among the six functions in the main menu.
2. Choose the adjustment items by pressing the “Enter ” button.
3. Adjust the value of the adjustment items by pressing the “Up” or “Down” button.
4. With the OSD menu on screen, press “ Menu” button to return main menu or exit OSD.
5. The OSD menu will automatically close, if you have left it idle for a pre-set time.
6. To Lock the OSD / Power menu buttons, please follow the instructions below.  
(Please note: the monitor has to be turned ON with a valid signal pre-set)
  - (a.) Press “Menu” key , the OSD menu will pops upon display.
  - (b.) Press and hold the “Menu” key again with the OSD menu on the screen, the OSD menu will disappear. Then press the “Power” key 1 time while the menu key is still being pressed. The “Lock/Unlock” menu will appear for 3 seconds.
  - (c.) Use the “Enter” key to select OSD or Power setting then set at “Lock” by pushing the “UP” or “Down” button.
  - (d.) When the “UP” or “Down” button is released, the previous setting will be saved and exit the “Lock/Unlock” menu automatically.
7. To Unlock the OSD / Power menu buttons, please follow the instructions below.  
(Please note: the monitor has to be turned ON with a valid signal pre-set)
  - (a.) Press and hold the “Menu” key then press the “Power” key simultaneously, the “Lock/ Unlock” menu will appear for 3 seconds.
  - (b.) Use the “Enter” key to select OSD or Power setting then set at “Unlock” by pushing the “UP” or “Down” button.
  - (c.) When the “UP” or “Down” button is released, the previous setting will be saved and exit the “Lock/Unlock” menu automatically.

**Please note:**

- a. When the OSD Lock function is selected, this indicates that all the buttons except “power” button are now disabled.
- b. When the Power Lock function is selected, this indicates that the power key is disabled; user can not to turn off the monitor by “Power” key.



# On-Screen Display Menu

## Main OSD Menu:

ITEM	CONTENT
<b>Contrast</b>	The monitor luminance level control.
<b>Brightness</b>	The monitor backlight level control.
<b>Auto Adjust</b>	Fine-tune the image to full screen automatically.
<b>Left/Right</b>	Moving screen image horizontal position to left or right.
<b>Up/Down</b>	Moving screen image vertical position to up or down.
<b>Horizontal size</b>	The screen image horizontal dot clock adjustment.
<b>Fine</b>	The screen image pixel phase adjustment.
<b>OSD Left/Right</b>	Moving OSD menu horizontal position to left or right.
<b>OSD Up/Down</b>	Moving OSD menu vertical position to up or down.
<b>OSD Time out</b>	OSD auto-disappear time selection.
<b>OSD Language</b>	OSD menu language selection. ( English, French, Japanese, Deutsch, Spanish, Italian, Traditional Chinese and Simplified Chinese)
<b>Factory Reset</b>	Factory default value restored.
<b>RGB</b>	Color temperature selection. (9300K, 6500K, 5500K, 7500K, User)
<b>Volume</b>	Audio volume adjustment.
<b>Mute</b>	Audio On/Off control.

# Appendix

## Troubleshooting

If you are experiencing trouble with the display, refer to the following. If the problem persists, please contact your local dealer or our service center.

***Problem: No image appears on screen.***

- ▶ Check that all the I/O and power connectors are correctly and well connected described in the "Installation" section.
- ▶ Make sure the pins of the connectors are not crooked or broken.

***Problem: Partial Image or incorrectly displayed image.***

- ▶ Check to see if the resolution of your computer is higher than that of the display.
- ▶ Reconfigure the resolution of your computer to make it less than or equal to 1280 x 1024.

***Problem: Image has vertical flickering line bars.***

- ▶ Use "Fine" to make an adjustment.
- ▶ Check and reconfigure the display mode of the vertical refresh rate of your graphic card to make it compatible with the display.

***Problem: Image is unstable and flickering***

- ▶ Use "Horizontal size" to make an adjustment.

***Problem: Image is scrolling***

- ▶ Check and make sure the VGA signal cable (or adapter) is securely connected.
- ▶ Check and reconfigure the display mode of the vertical refresh rate of your graphics card to make it compatible with the display.

***Problem: Vague image (characters and graphics)***

- ▶ Use "Fine" to make an adjustment. If this problem still exists, use "Horizontal size" to make an adjustment.

## Warning Signal

If you see warning messages on your screen, this means that the display cannot receive a clean signal from the computer graphics card.

Below are the three kinds of Warning Signal. Please check the cable connections or contact your local dealer or Planar for more information.

### No Signal

This message means that the display has been powered on but it cannot receive any signal from the computer graphics card. Check all the power switches, power cables, and VGA signal cable.

### Going to Sleep

The display is under the power saving mode. In addition, the display will enter power saving mode when experiencing a sudden signal disconnecting problem.

The monitor can be activated by pressing any key on the keyboard, triggering the mouse or touching the screen.

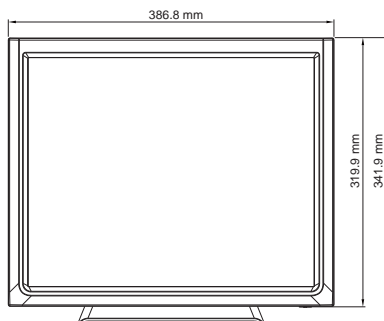
### Out of Range

This message means that the signal of the computer graphic card is not compatible with the display. When the signal is not included in the "Video Modes" list we have listed in the Appendices of this manual, the monitor will display this message.

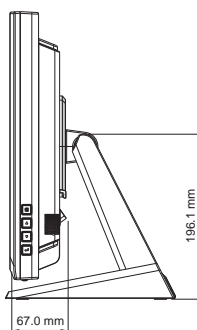
## Product Dimensions

### PT1745R

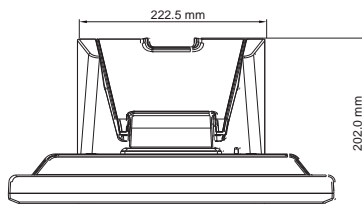
#### ► Front View



#### ► Side View

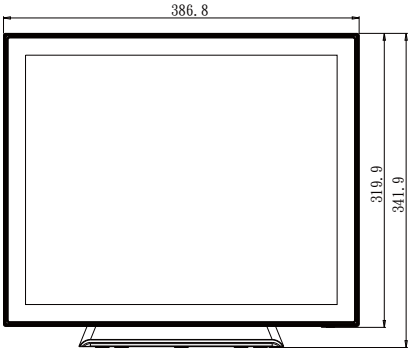


#### ► Top View

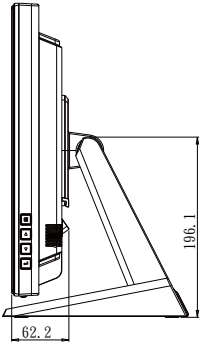


PT1745P

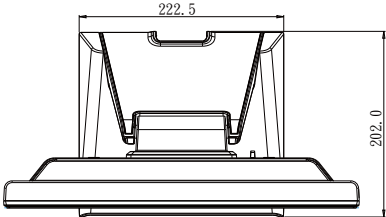
► Front View



► Side View



► Top View



# Compatibility Modes

<b>Mode</b>	<b>Resolution</b>	<b>H-Frequency (KHz)</b>	<b>V-Frequency (Hz)</b>
IBM VGA	720 x 400	31.47	70
IBM VGA	640 x 480	31.47	60
VESA VGA	640 x 480	37.86	72
VESA VGA	640 x 480	37.50	75
VESA SVGA	800 x 600	35.16	56
VESA SVGA	800 x 600	37.88	60
VESA SVGA	800 x 600	48.08	72
VESA SVGA	800 x 600	46.88	75
VESA XGA	1024 x 768	48.36	60
VESA XGA	1024 x 768	56.48	70
VESA XGA	1024 x 768	60.02	75
VESA SXGA	1280 x 1024	64.00	60
VESA SXGA	1280 x 1024	80.00	75
VESA SXGA	1280 x 960	60.00	60
VESA SXGA	1152 x 864	67.50	75
Apple Mac II	640 x 480	35.00	66
Apple Mac	832 x 624	49.72	75

## Touch Screen Driver Installation

The PT1745R is available with both RS232 and USB connections. The touch driver is located at [www.planar.com/support](http://www.planar.com/support) for these operating systems: Windows® 7/8, VISTA, XP, 2000, ME, 98, NT 4.0, CE, XP Embedded, Linux 2.6.x (32 bit & 64 bit), Apple® Mac OS.

The PT1745P is available with USB connection. The touch driver is available at [www.planar.com/support](http://www.planar.com/support) for these operating systems: Windows® 7/8, VISTA, XP, 2000, CE, XP Embedded, Linux kernel 2.6.x (32 bit & 64 bit), Apple® Mac OS. (Windows 7/8 Multi touch without driver)

### **Please Note:**

1. The PT1745R/PT1745P is Microsoft® Windows® HID (Human Interface Device) compatible if you use the USB touch screen interface. No additional software driver is required for general operation of the touch screen. A calibration tool can be installed for improved touch position accuracy. See “Optional Calibration Tool Install” section for more information.
2. For PT1745P, the system requires 15 seconds for Windows 7 to install/uninstall the touch drivers while turning power on/off or plugging/unplugging USB cable.

### **PT1745R Optional Calibration Tool Install:**

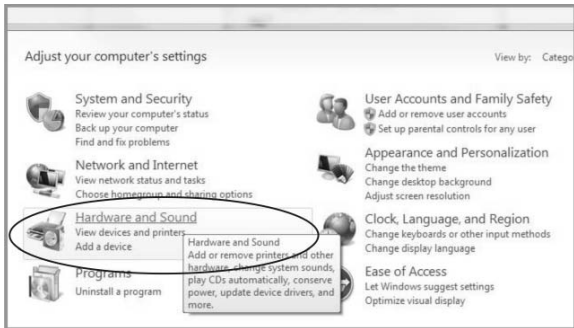
If you would like to use the Optional Calibration Tool, follow the instructions below. Please note: the calibration tool supports Windows® 7/8, VISTA, XP and XP Embedded systems via USB only.

1. Visit [www.planar.com/support](http://www.planar.com/support).
2. Select the monitor size and then model name.
3. Click on the “Load Utility” button that appears to the right of the model name.
4. The HID calibration tool will automatically open. From here the user can choose to do the following:
  - a. 4 Points Calibration
  - b. 9 Points Linearization
  - c. 25 Points Linearization
  - d. Clear
  - e. Draw Test
  - f. Advanced. In the Advanced settings area the user may do the following:
    - i. Adjust the Double Click Area.
    - ii. Enable auto right click and adjust the auto right click time.
    - iii. Choose to be either in the HID Mouse Mode or HID Digitizer Mode (Windows® Vista only).
    - iv. Simply click the “Apply” button once the settings are finalized.

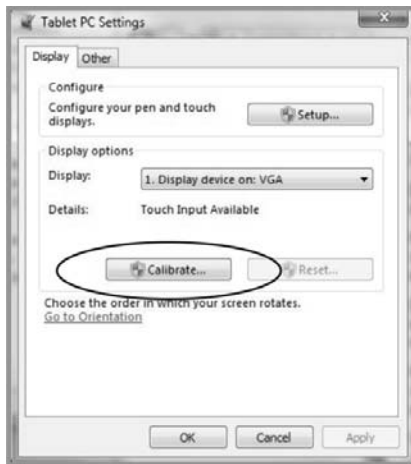
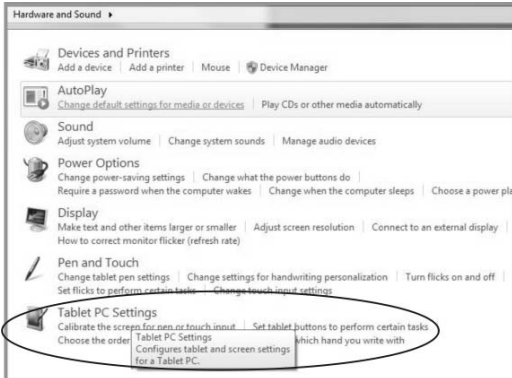
# PT1745P Optional Calibration Tool Install:

Calibrating the touch screen in Windows 7/8:

1. Tap the Start button, Control Panel and then Hardware and Sound.
2. Under Tablet PC Settings, tap Calibrate the screen for pen or touch input.
3. On the Display tab, under Display options, tap Calibrate and then Yes to allow the program to make changes.
4. Follow the on-screen instructions to calibrate the touch screen.







## **PT1745R Install Instructions:**

**If you are using a PC running Windows® 7/8, VISTA, XP, 2000, ME, 98, NT4.0, follow the instructions below:**

1. Power on the PC.
2. Be sure the USB or the RS-232 Serial cable is connected from the PC to the display.
3. Visit [www.planar.com/support](http://www.planar.com/support).
4. Follow the step-by-step instructions as shown on the pop-up windows.

**If you are using a PC running driver Linux kernel 2.6.x (32 bit & 64 bit), follow the instructions below:**

1. Power on the PC.
2. Be sure the USB cable is connected from the PC to the display.
3. Visit [www.planar.com/support](http://www.planar.com/support).
4. Follow the step-by-step instructions as shown on the pop-up windows.

**If you are using a PC running Windows® XP Embedded, follow the instructions below:**

### **Express:**

1. Power on the computer.
2. Make sure that the RS232 or USB cable is connected to the computer.
3. Be sure that your EWF is disabled. If your EWF is enabled, please disable the EWF by using the EWF Manager command.
4. Once the EWF is disabled click on the XP driver at [www.planar.com/support](http://www.planar.com/support). and follow the step-by-step instructions as shown on the pop-up windows.

### **Custom:**

1. Power on the computer.
2. Make sure that the RS232 or USB cable is connected to the computer.
3. Follow the step-by-step instructions found in the zipped file at [www.planar.com/support](http://www.planar.com/support).

**If you are using a PC running Windows® CE, follow the instructions below:**

1. Power on the computer.
2. Make sure that the RS232 or USB cable is connected to the computer.
3. Using Platform Builder, build an image file by following the step-by-step instructions found in the zipped file at [www.planar.com/support](http://www.planar.com/support).

**If you are using a PC running Linux or Apple® Mac OS, follow the instructions below:**

1. Power on the computer.
2. Make sure that the RS232 or USB cable is connected to the computer.
3. Follow the step-by-step instructions found in the zipped file at [www.planar.com/support](http://www.planar.com/support).

**When changing the Touch Interface (RS-232 or USB), please follow instructions below.**

1. Uninstall the touch driver.
2. Re-start the computer.
3. Remove the original Touch Interface (RS-232 or USB).
4. Connect the computer to the Touch Interface (RS-232 or USB) that you would like to use.
5. Install the Touch driver, then follow the step-by-step instructions as show on monitor.

***PLEASE NOTE!***

***Don't plug in both the RS-232 and USB cables!***

***Doing so may cause a driver conflict, making your touch screen inoperable.***

## **PT1745P Install Instructions:**

**If you are using a PC running, Windows® 7/8, VISTA, XP, 2000, follow the instructions below:**

1. Power on the PC.
2. Make sure that the USB cable is connected to the computer.
3. Visit [www.planar.com/support](http://www.planar.com/support).
4. Follow the step-by-step instructions as shown on the pop-up windows.

**If you are using a PC running driver Linux kernel 2.6.x (32 bit & 64 bit), follow the instructions below:**

1. Power on the PC.
2. Make sure that the USB cable is connected to the computer.
3. Visit [www.planar.com/support](http://www.planar.com/support).
4. Follow the step-by-step instructions as shown on the pop-up windows.

**If you are using a PC running Windows® XP Embedded, follow the instructions below:**

### **Express:**

1. Power on the computer.
2. Make sure that the USB cable is connected to the computer.
3. Be sure that your EWF is disabled. If your EWF is enabled, please disable the EWF by using the EWF Manager command.
4. Once the EWF is disabled click on the XP driver at [www.planar.com/support](http://www.planar.com/support). and follow the step-by-step instructions as shown on the pop-up windows.

### **Custom:**

1. Power on the computer.
2. Make sure that the USB cable is connected to the computer.
3. Follow the step-by-step instructions found in the zipped file at [www.planar.com/support](http://www.planar.com/support).

**If you are using a PC running Windows® CE, follow the instructions below:**

1. Power on the computer.
2. Make sure that the USB cable is connected to the computer.
3. Using Platform Builder, build an image file by following the step-by-step instructions found in the zipped file at [www.planar.com/support](http://www.planar.com/support).

**If you are using a PC running Linux or Apple® Mac OS, follow the instructions below:**

1. Power on the computer.
2. Make sure that the USB cable is connected to the computer.
3. Follow the step-by-step instructions found in the zipped file at [www.planar.com/support](http://www.planar.com/support).

## Technical Support

### Cables and Accessories

To find cables and accessories for your Planar monitor, touch screen or other Planar products visit our online store at [www.PlanarOnline.com](http://www.PlanarOnline.com).

### Technical Support

Visit Planar at <http://www.planar.com/support> for operations manuals, touch screen drivers, warranty information and access to Planar's Technical Library for online troubleshooting.

To speak with Planar Customer Support please have you model and serial number available and dial:

#### **Planar Support**

Tel: 1-866-PLANAR1 (866-752-6271) or +1 503-748-5799 outside the US.

Hours: 24 hours a day, 7 days a week.

**Toll or long distance charges may apply.**

**Planar Systems, Inc.**

Customer Service

24x7 Online Technical Support: <http://www.planar.com/support>

1195 NW Compton Drive

Beaverton, OR 97006-1992

**Tel:** 1-866-PLANAR1 (866-752-6271) or +1 503-748-5799 outside the United States.

**Hours:** 24 hours a day, 7 days a week

© 2014 **Planar Systems, Inc. 04/22** Planar is a registered trademark of Planar Systems, Inc.

Other brands and names are the property of their respective owners.

Technical information in this document is subject to change without notice.

020-1021-00G

820470035107