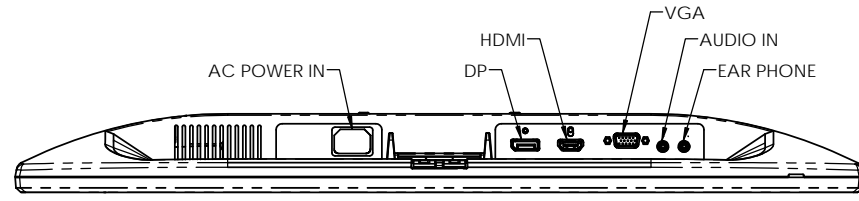
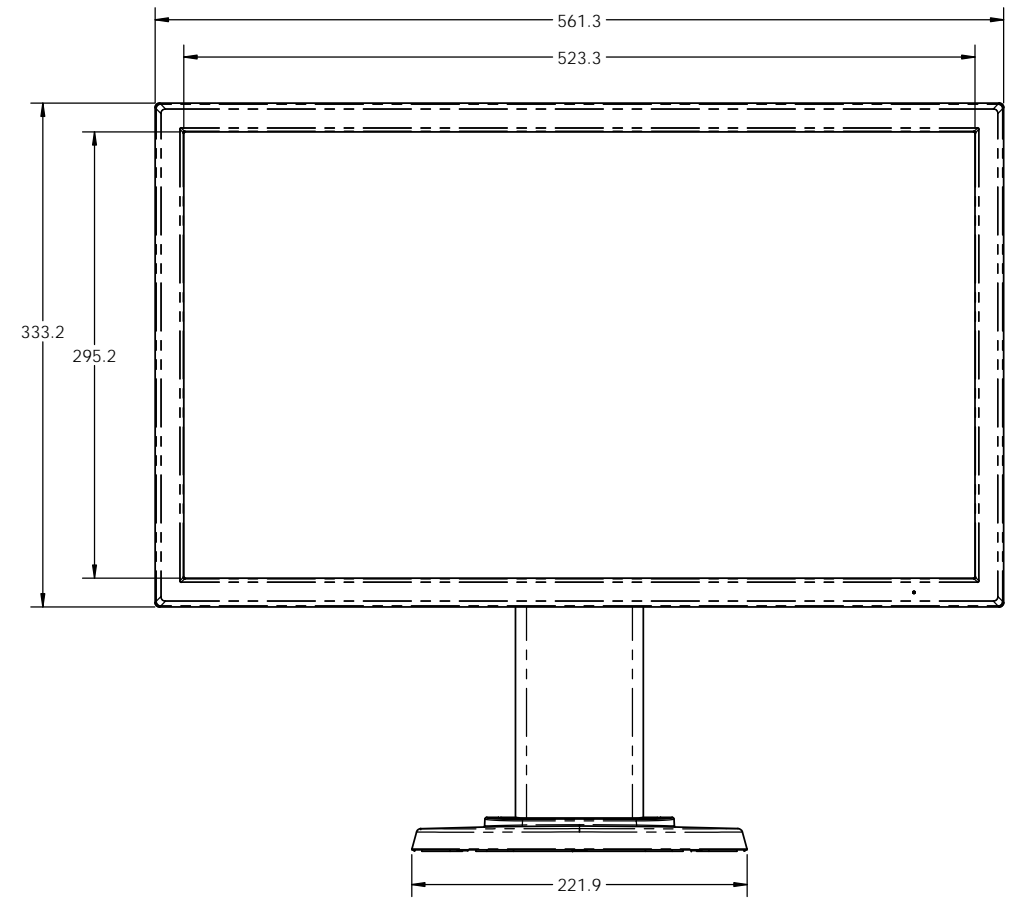
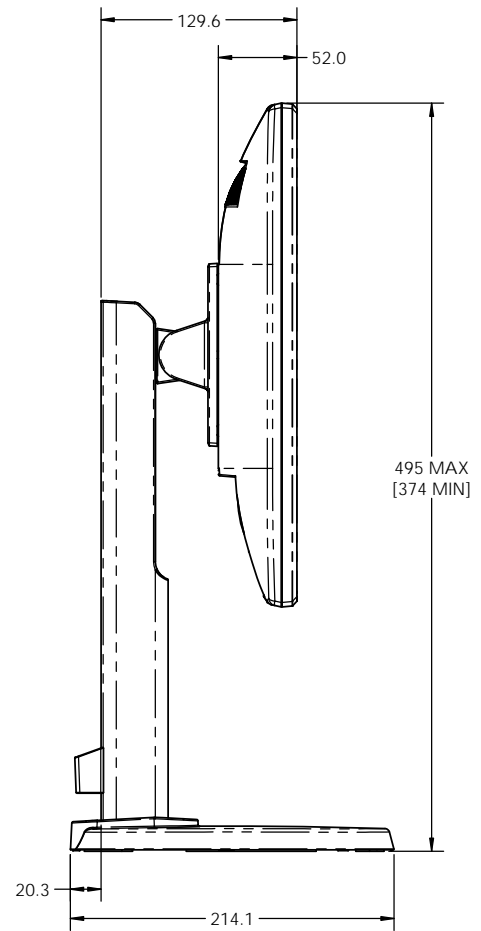
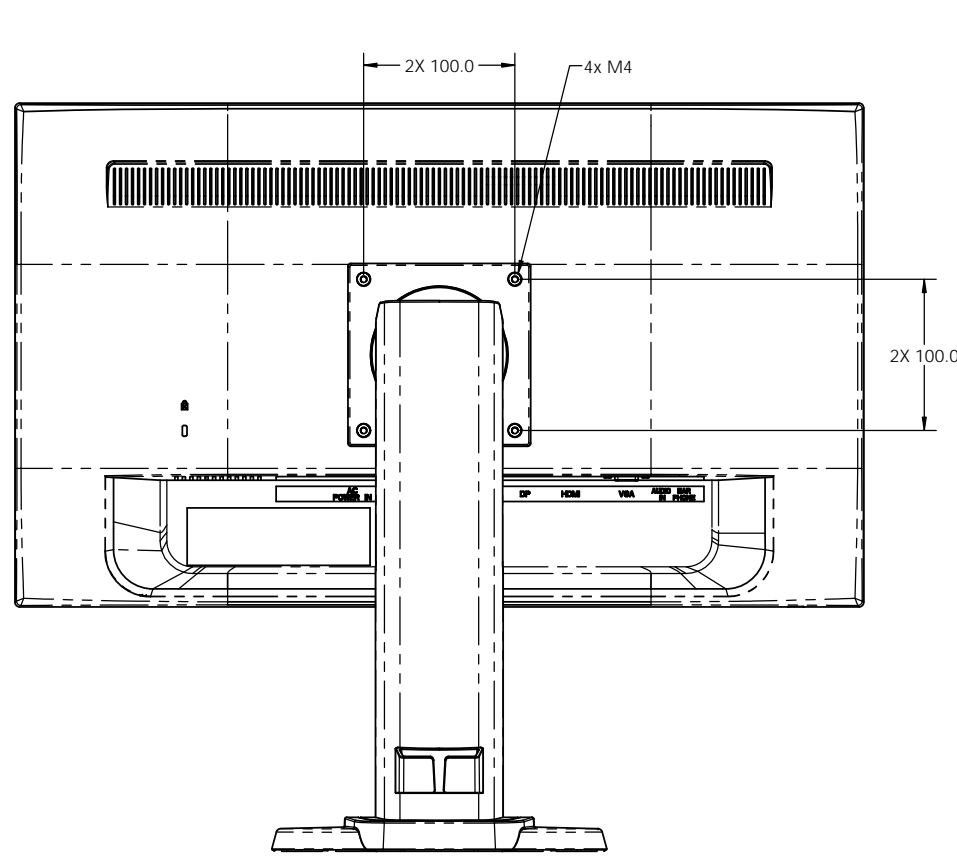


8 7 6 5 4 3 2 1

REVISIONS					
ECO	ZONE	REV.	DESCRIPTION	DATE	APPROVED
1006393		A	PRODUCTION RELEASE.	01/15/2015	RD

- NOTES:
- PARTS SHALL BE PACKAGED FOR DELIVERY IN ANY MANNER THAT PROTECTS THE PART FROM SHIPPING AND STORAGE DAMAGE. ANY DAMAGE DUE TO STANDARD OR ESTABLISHED TRANSPORTATION PRACTICES ARE THE RESPONSIBILITY OF THE SUPPLIER.
 - THIS DRAWING CAN BE USED WITH 3D MODEL FOR COMPLETE PRODUCT DEFINITION. USE CAD FILE OF SAME P/N AND REVISION FOR DETAILS.
 - FINISHED PART MUST BE RoHS II COMPLIANT, DIRECTIVE 2011/65/EU ON THE RESTRICTION OF THE USE OF CERTAIN HAZARDOUS SUBSTANCES IN EEE.



STAND REMOVED FOR CLARITY

8 7 6 5 4 3 2 1

UNLESS OTHERWISE SPECIFIED DIMENSIONS ARE IN MILLIMETERS		DRAWN BY: R.DAVENPORT		DATE: 01/12/2015	
TOLERANCES - UNLESS OTHERWISE SPECIFIED		CHECKED BY:		USED ON: PXL2471MW	
X= ±1	XX= ±.25			MATERIAL:	
X= ±.5	ANGLES= ±1°			FINISH:	
DIMENSIONING AND TOLERANCING PER ASME Y14.5M-1994		THIRD ANGLE PROJECTION		TITLE: P, PXL2471MW	
DRAWING NUMBER: 997-7848-00		PART NUMBER: 997-7848-00		REV: A	
SCALE: 2:5		DO NOT SCALE		SHEET: 1 OF 1	

THIS DRAWING CONTAINS INFORMATION PROPRIETARY TO PLANAR SYSTEMS, INC. ANY REPRODUCTION IN PART OR WHOLE WITHOUT THE WRITTEN PERMISSION OF PLANAR SYSTEMS IS PROHIBITED. THIS DRAWING IS SUPPLIED FOR INFORMATION, IDENTIFICATION, ENGINEERING, EVALUATION, AND/OR INSPECTION PURPOSES ONLY AND MAY NOT BE USED AS BASIS FOR THE MANUFACTURE OF PRODUCTS OR THE FURNISHING OF SERVICES TO PLANAR SYSTEMS OR TO ANY THIRD PARTY UNLESS AUTHORIZED IN WRITING BY PLANAR SYSTEMS.

PLANAR PLANAR SYSTEMS, INC.
1195 NW COMPTON DRIVE
BEAVERTON, OR 97006 USA