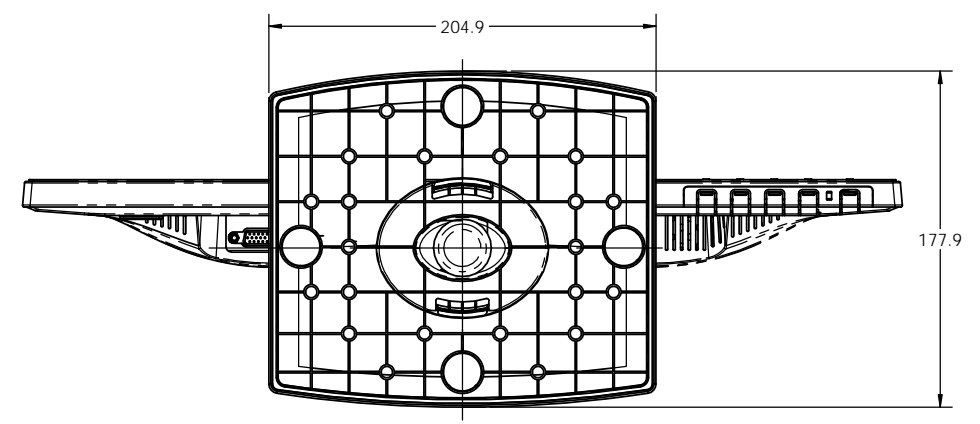
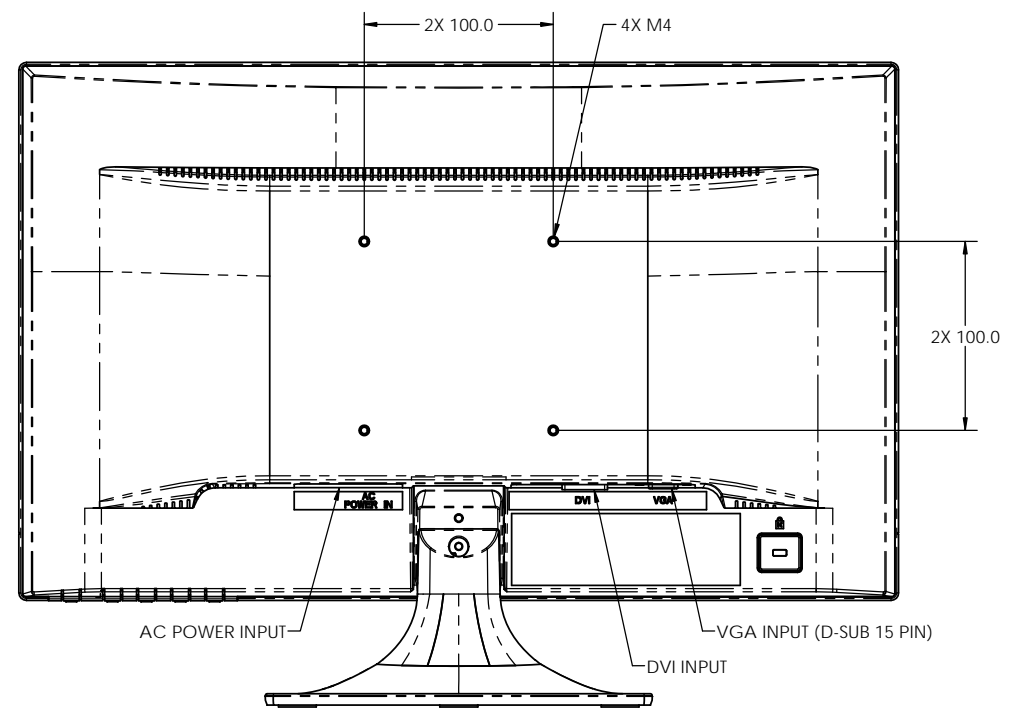
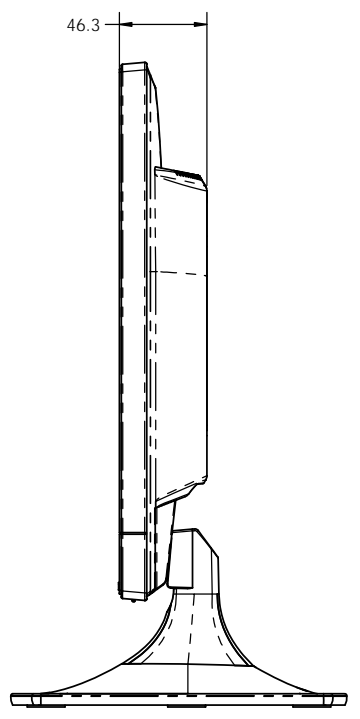
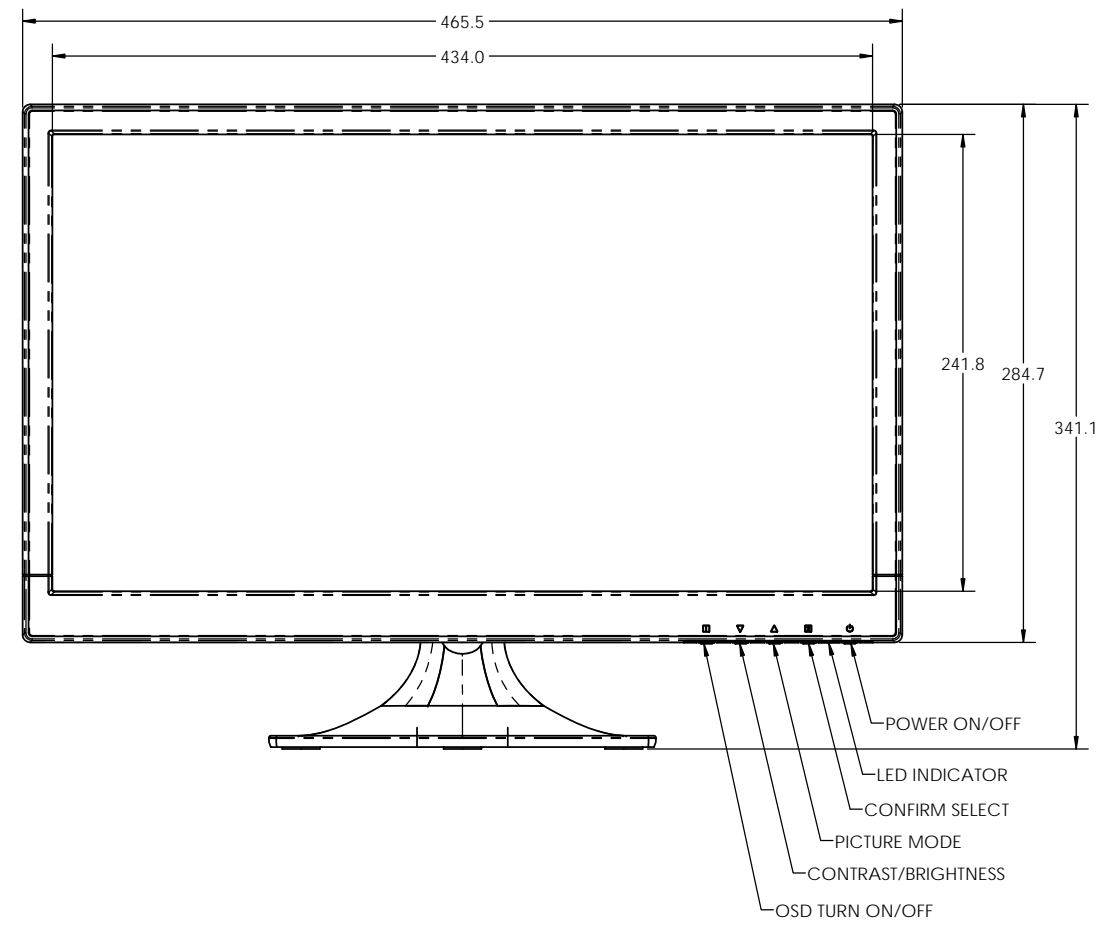
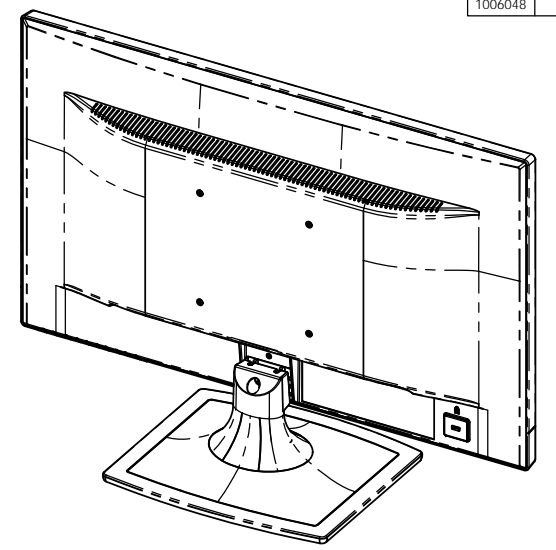
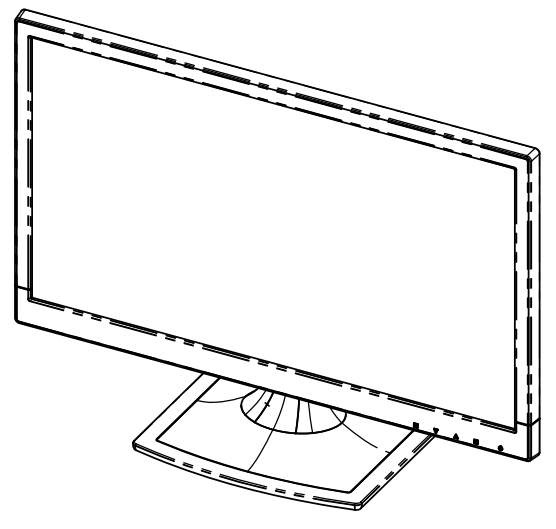


8 7 6 5 4 3 2 1

| REVISIONS | | | | | |
|-----------|------|------|-----------------|------------|----------|
| ECO | ZONE | REV. | DESCRIPTION | DATE | APPROVED |
| 1006048 | | A | INITIAL RELEASE | 09/05/2014 | RD |

NOTES:

- PARTS SHALL BE PACKAGED FOR DELIVERY IN ANY MANNER THAT PROTECTS THE PART FROM SHIPPING AND STORAGE DAMAGE. ANY DAMAGE DUE TO STANDARD OR ESTABLISHED TRANSPORTATION PRACTICES ARE THE RESPONSIBILITY OF THE SUPPLIER.
- THIS DRAWING CAN BE USED WITH 3D MODEL FOR COMPLETE PRODUCT DEFINITION. USE CAD FILE OF SAME P/N AND REVISION FOR DETAILS.
- FINISHED PART MUST BE RoHS II COMPLIANT, DIRECTIVE 2011/65/EU ON THE RESTRICTION OF THE USE OF CERTAIN HAZARDOUS SUBSTANCES IN EEE.



THIS DRAWING CONTAINS INFORMATION PROPRIETARY TO PLANAR SYSTEMS, INC. ANY REPRODUCTION IN PART OR WHOLE WITHOUT THE WRITTEN PERMISSION OF PLANAR SYSTEMS IS PROHIBITED. THIS DRAWING IS SUPPLIED FOR INFORMATION, IDENTIFICATION, ENGINEERING, EVALUATION, AND/OR INSPECTION PURPOSES ONLY AND MAY NOT BE USED AS BASIS FOR THE MANUFACTURE OF PRODUCTS OR THE FURNISHING OF SERVICES TO PLANAR SYSTEMS OR TO ANY THIRD PARTY UNLESS AUTHORIZED IN WRITING BY PLANAR SYSTEMS.

| | | | | | |
|--|-------------|---|--|--------------------------|--|
| UNLESS OTHERWISE SPECIFIED, DIMENSIONS ARE IN MILLIMETERS. | | DRAWN BY: R.DAVENPORT | | DATE: 09/05/2014 | |
| TOLERANCES - UNLESS OTHERWISE SPECIFIED | | CHECKED BY: | | USED ON: PLL2010W | |
| X= ±1 | XX= ±.25 | | | TITLE: PRODUCT, PLL2010W | |
| X= ±.5 | ANGLES= ±1° | DIMENSIONING AND TOLERANCING PER ASME Y14.5M-1994 | | MATERIAL: | |
| THIRD ANGLE PROJECTION | | FINISH: | | PART NUMBER: 997-7687-00 | |
| DRAWING NUMBER: 997-7687-00 | | REV: A | | SHEET: 1 OF 1 | |

8 7 6 5 4 3 2 1