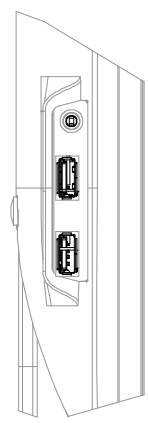
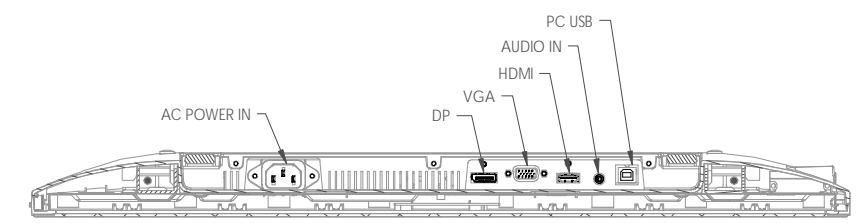
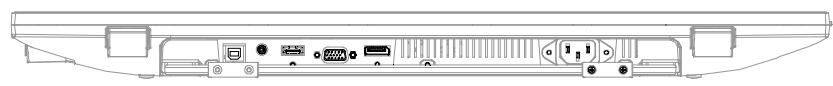
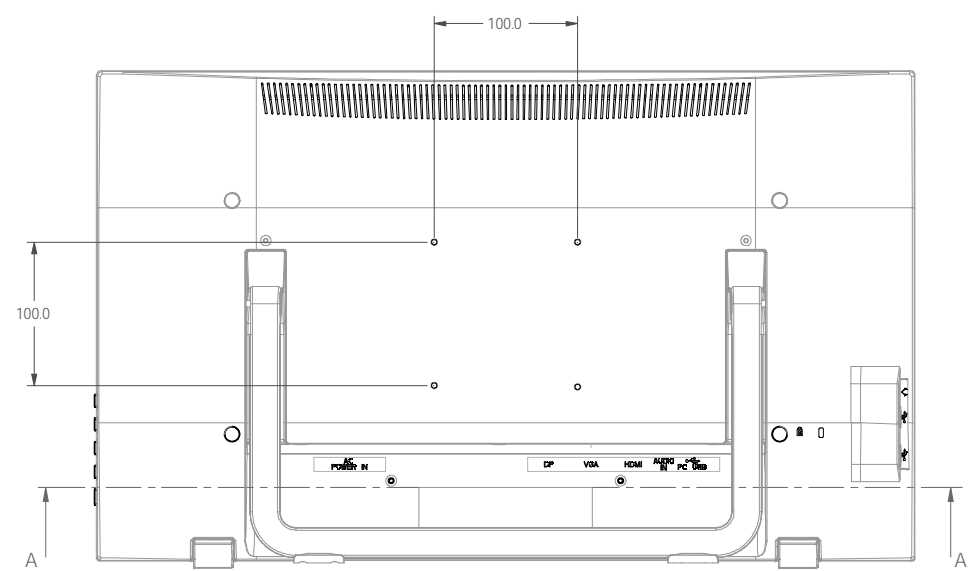
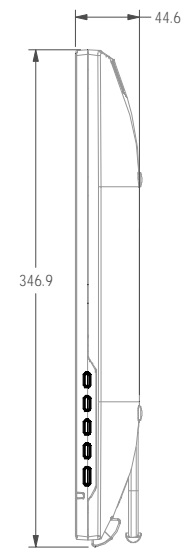
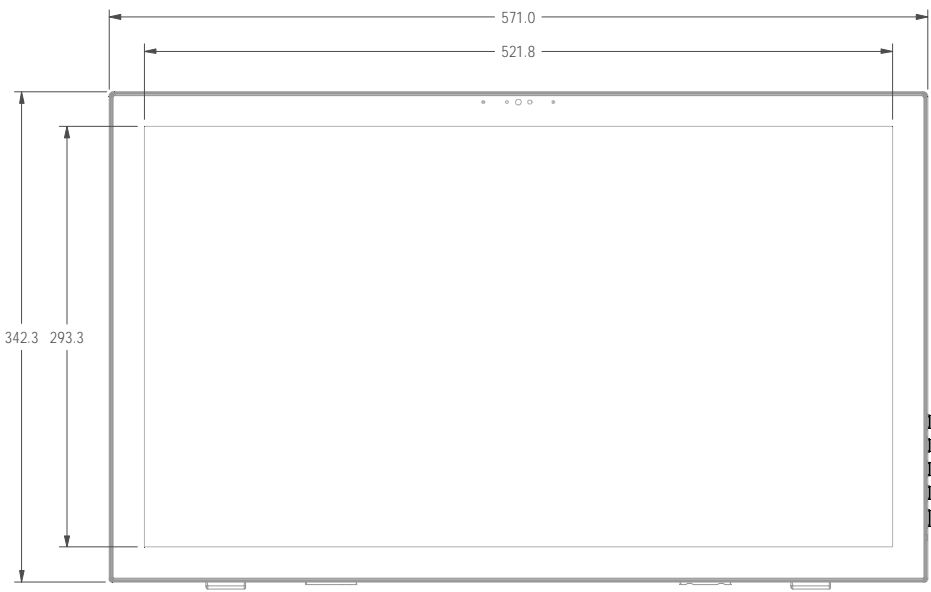
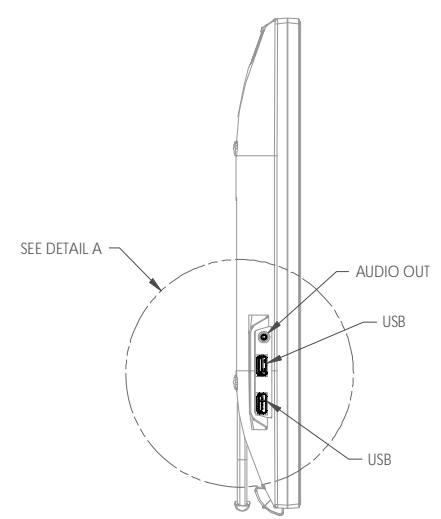
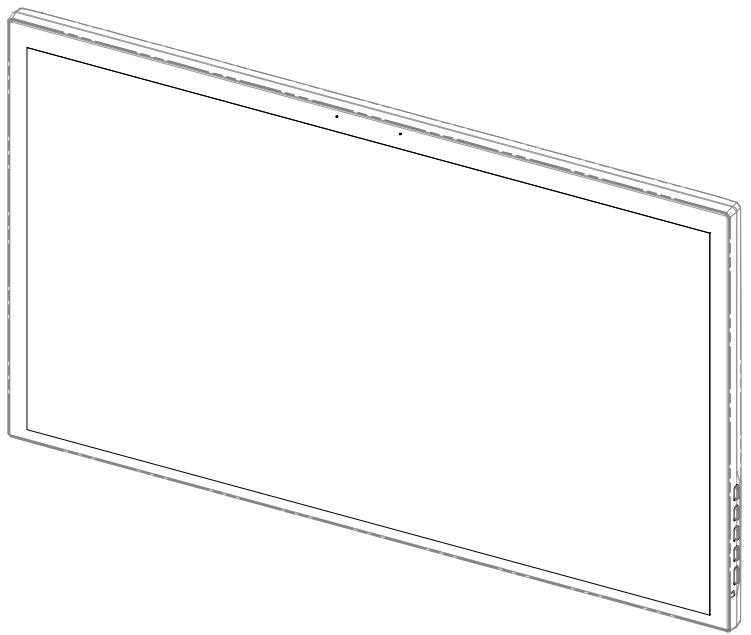
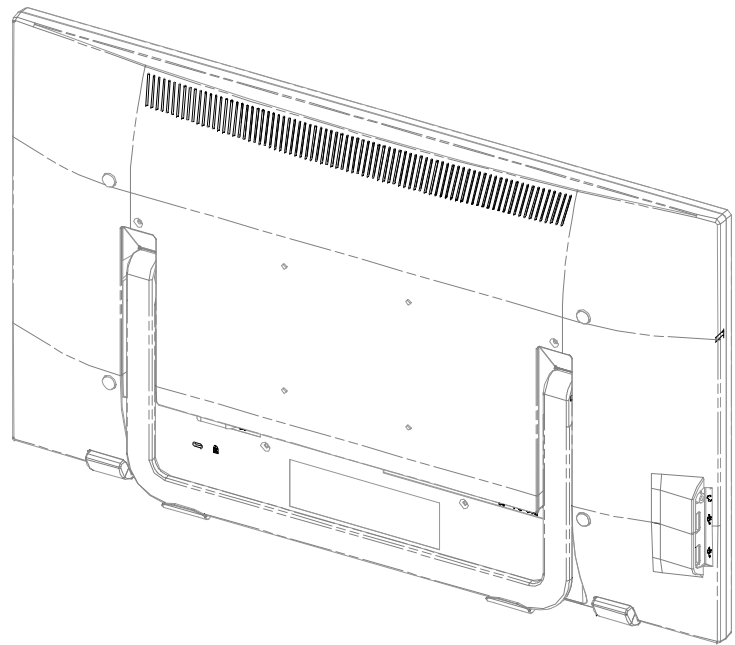


REVISIONS					
ECO	ZONE	REV	DESCRIPTION	DATE	APPROVED
1005228		A	INITIAL RELEASE	12/04/13	RD



DETAIL A  
SCALE 2.000



SECTION A-A

UNLESS OTHERWISE SPECIFIED DIMENSIONS ARE IN MILLIMETERS		ENGR BY	-	-		<b>PLANAR SYSTEMS</b> 1195 NW COMPTON DRIVE BEAVERTON, OR 97006 USA
TOLERANCES - UNLESS OTHERWISE SPECIFIED		DRAWN BY	R.DAVENPORT	11/25/13		
X = ±1	.XX = ±15	CHECKED BY	-	-	TITLE	
.X = ±.5	ANGLES = ±1°	USED ON	PCT2485		DWG.SPEC,MECH OUTLINE,PCT2485	
DIMENS ONING AND TOLERANCING PER ASME Y14.5M 1994		MATERIAL	-		-	
THIRD ANGLE PROJECTION		FINISH	-		-	
SIZE	PART NO.	DRAWING NO.	REV			
D	997-7052-00	076-0764-00	A			
SCALE	NONE	DO NOT SCALE	SHEET	1 OF 1		

THIS DRAWING CONTAINS INFORMATION PROPRIETARY TO PLANAR SYSTEMS, INC. ANY REPRODUCTION IN PART OR WHOLE WITHOUT THE WRITTEN PERMISSION OF PLANAR SYSTEMS IS PROHIBITED. THIS DRAWING IS SUPPLIED FOR INFORMATION, IDENTIFICATION, ENGINEERING, EVALUATION, AND/OR INSPECTION PURPOSES ONLY AND MAY NOT BE USED AS BASIS FOR THE MANUFACTURING OF PRODUCTS OR THE FURNISHING OF SERVICES TO PLANAR SYSTEMS OR TO ANY THIRD PARTY UNLESS AUTHORIZED IN WRITING BY PLANAR SYSTEMS.