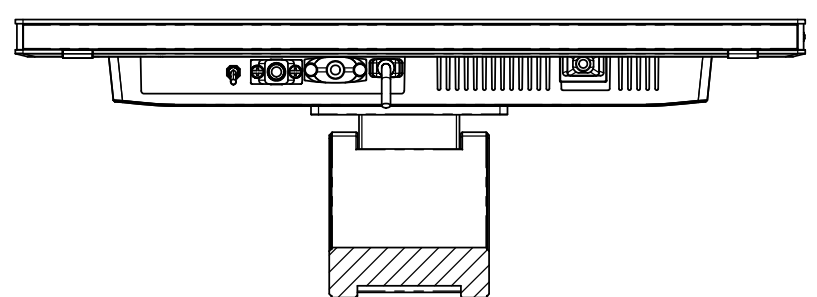
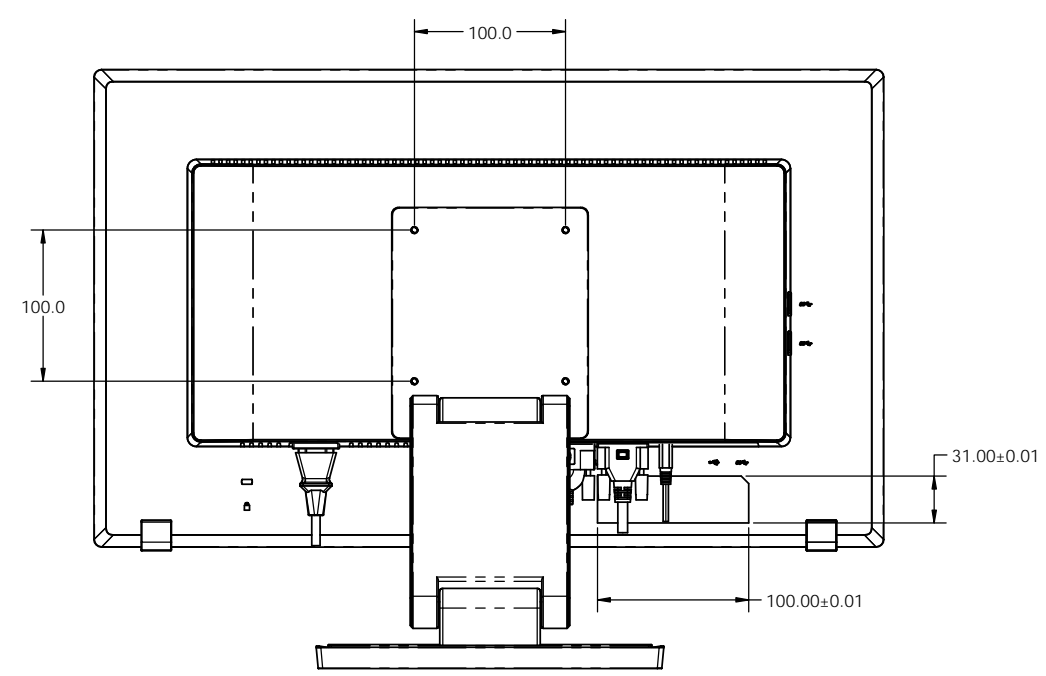
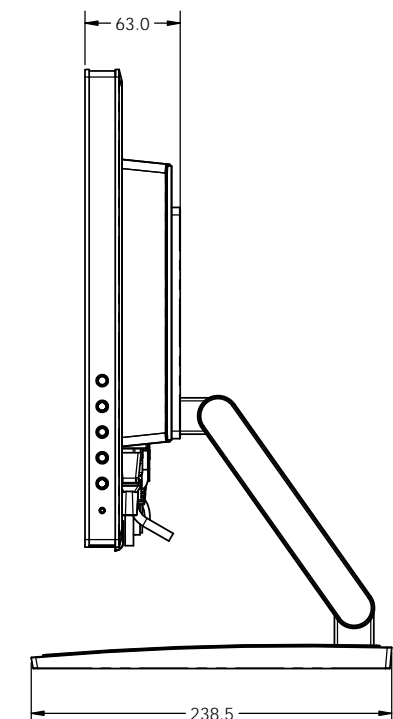
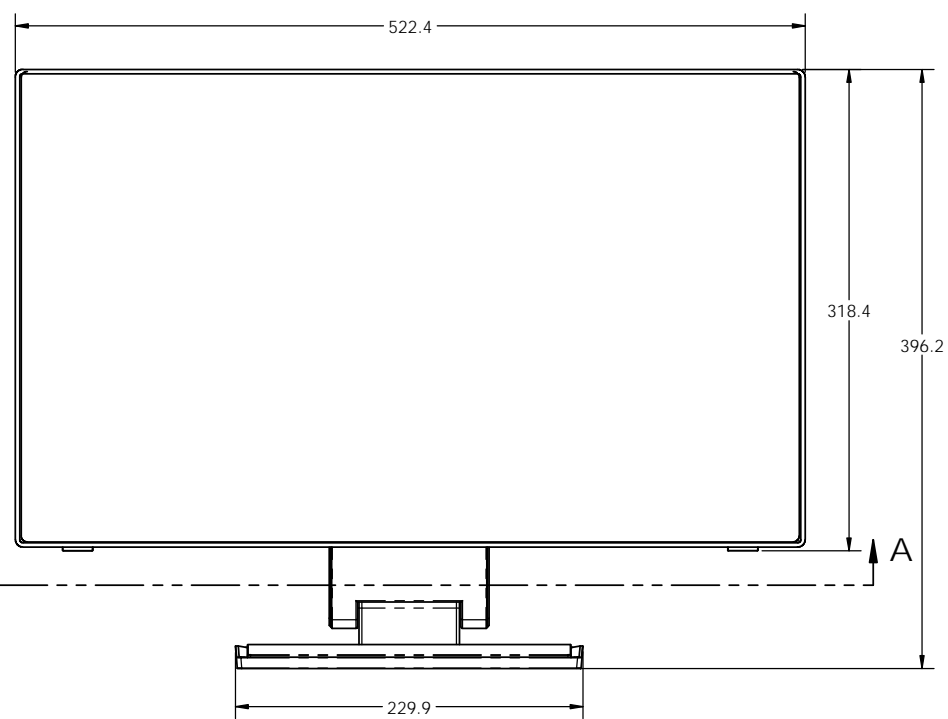
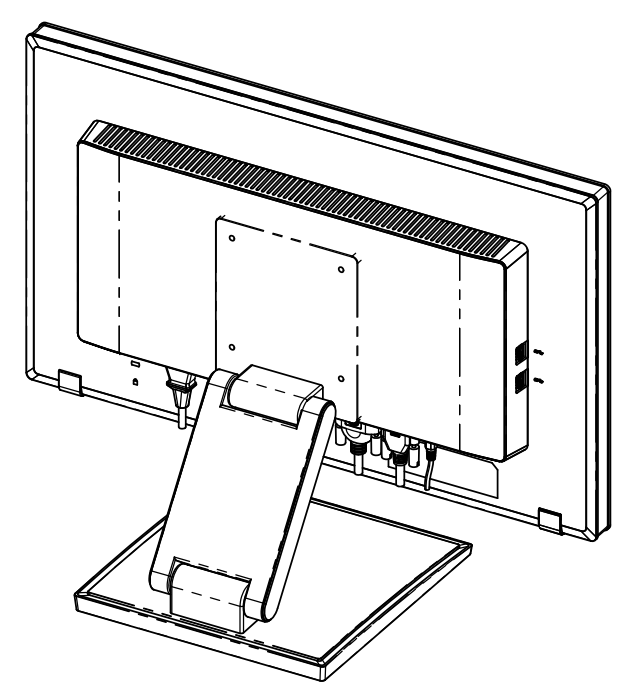
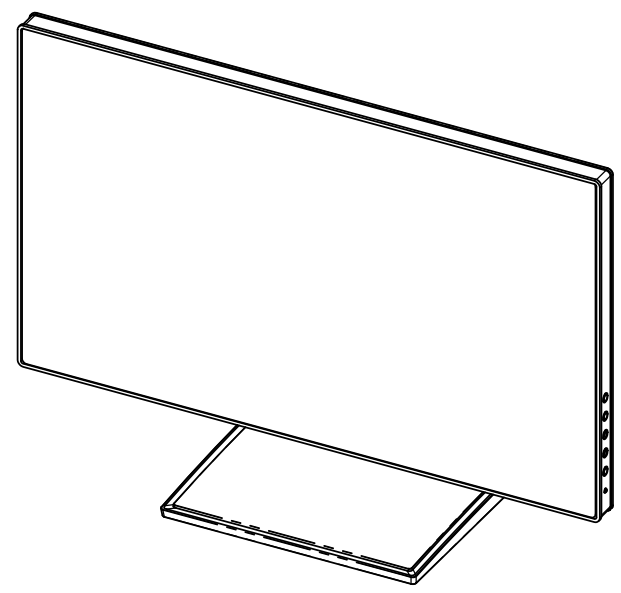
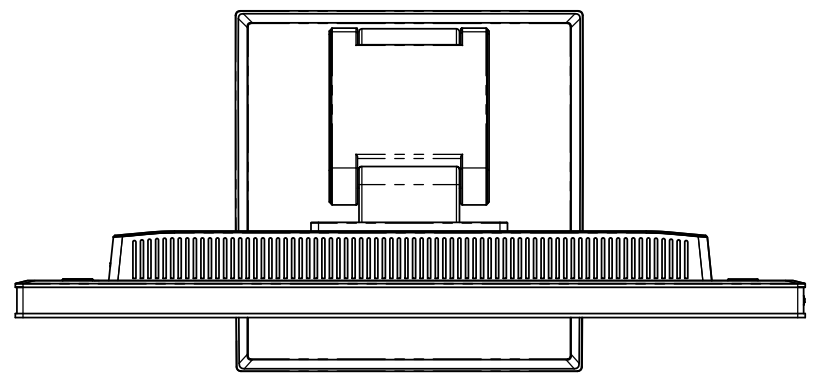


REVISIONS					
ECO	ZONE	REV.	DESCRIPTION	DATE	APPROVED
1005228		A	INITIAL RELEASE.	12/04/13	RD



SECTION A-A

UNLESS OTHERWISE SPECIFIED, DIMENSIONS ARE IN MILLIMETERS.		DRAWN BY: R.DAVENPORT		DATE: 11/25/13	
TOLERANCES - UNLESS OTHERWISE SPECIFIED		CHECKED BY:		USED ON: PCT2265	
X= ±1	XX= ±25			MATERIAL:	
X= ±5	ANGLES= ±1°			FINISH:	
DIMENSIONING AND TOLERANCING PER ASME Y14.5M-1994					
THIRD ANGLE PROJECTION					
<small>THIS DRAWING CONTAINS INFORMATION PROPRIETARY TO PLANAR SYSTEMS, INC. ANY REPRODUCTION IN PART OR WHOLE WITHOUT THE WRITTEN PERMISSION OF PLANAR SYSTEMS IS PROHIBITED. THIS DRAWING IS SUPPLIED FOR INFORMATION, IDENTIFICATION, ENGINEERING, EVALUATION, AND/OR INSPECTION PURPOSES ONLY AND MAY NOT BE USED AS BASIS FOR THE MANUFACTURE OF PRODUCTS OR THE FURNISHING OF SERVICES TO PLANAR SYSTEMS OR TO ANY THIRD PARTY UNLESS AUTHORIZED IN WRITING BY PLANAR SYSTEMS.</small>		PLANAR PLANAR SYSTEMS, INC. 1195 NW COMPTON DRIVE BEAVERTON, OR 97006 USA		TITLE: DWG. SPEC, MECH OUTLINE, PCT2265 PART NUMBER: 997-7251-00 DRAWING NUMBER: 076-0766-00 REV: A SCALE: 2:5 DO NOT SCALE SHEET: 1 OF 1	