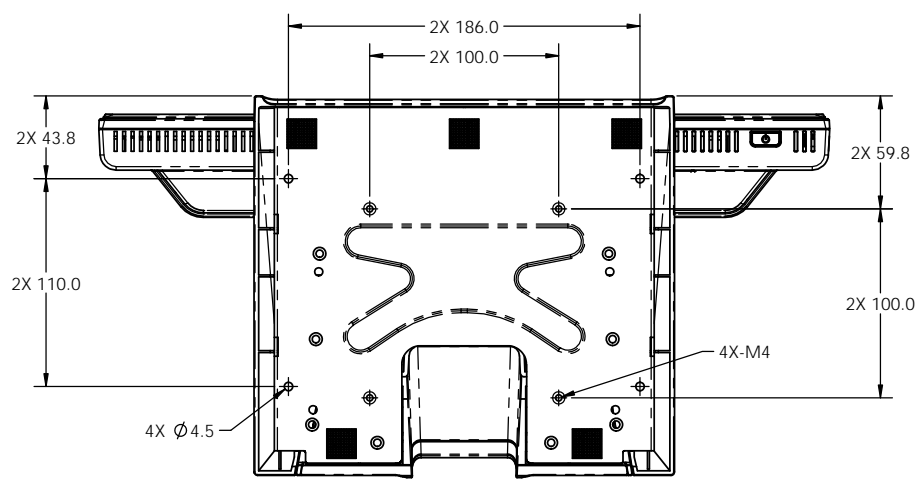
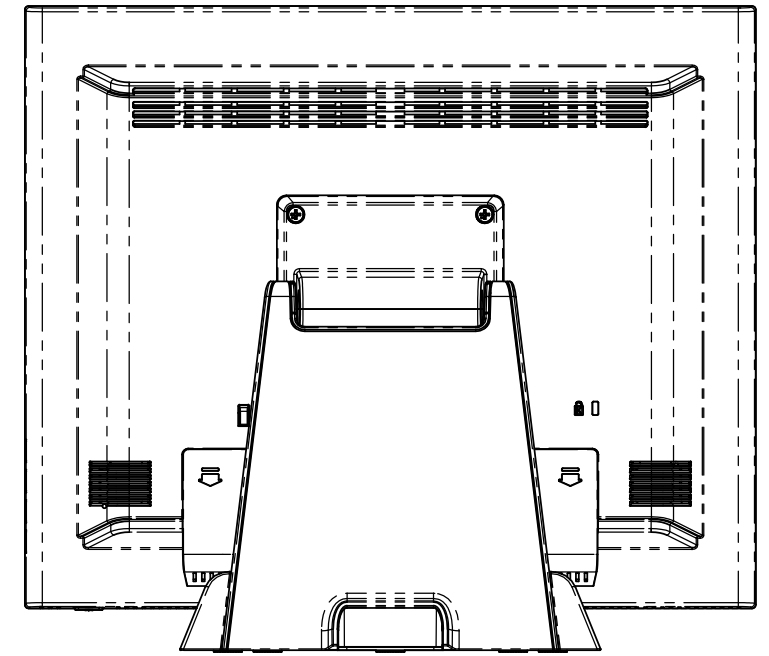
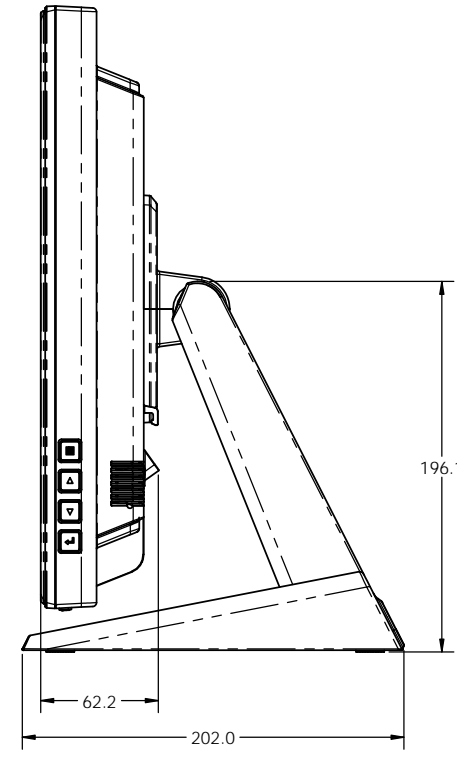
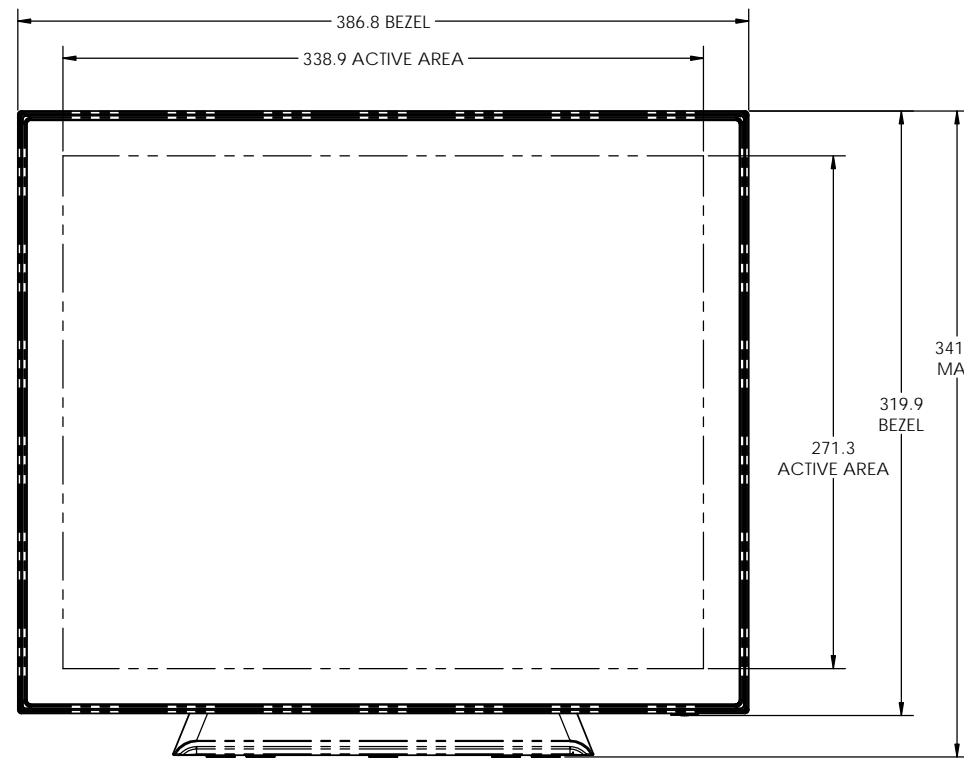
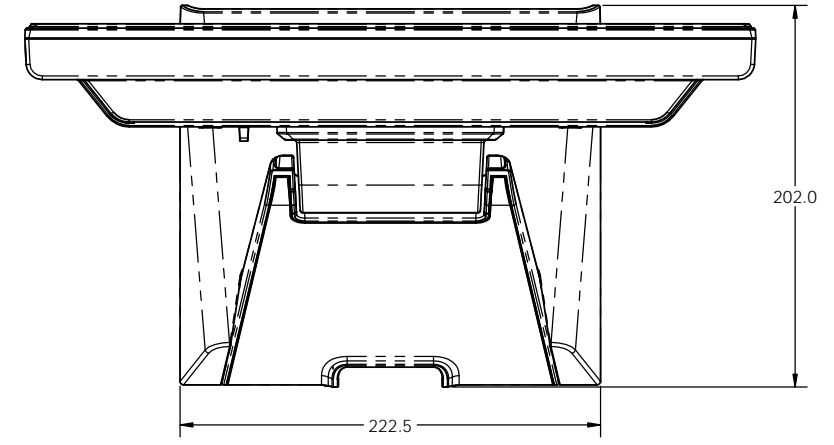
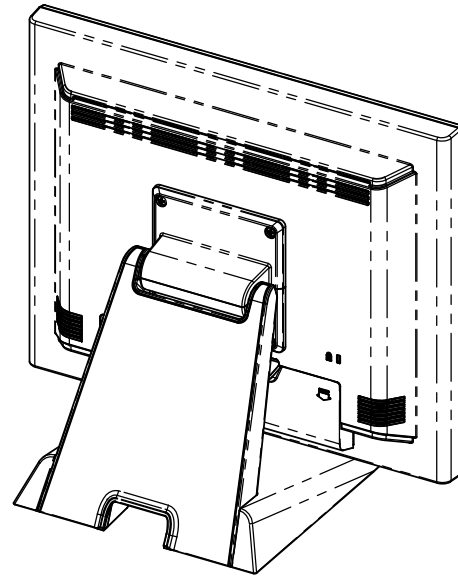
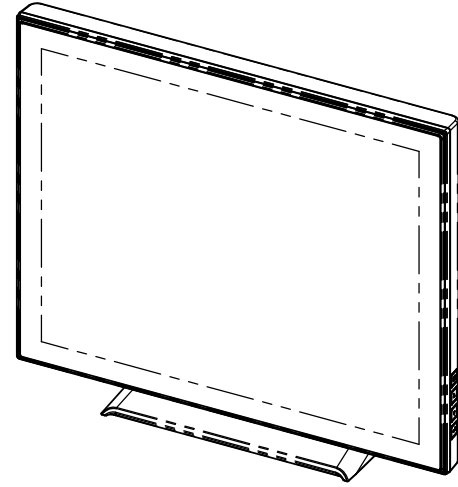


REVISIONS					
ECO	ZONE	REV.	DESCRIPTION	DATE	APPROVED
1005237		A	INITIAL RELEASE.	12/05/13	RD



<small>UNLESS OTHERWISE SPECIFIED, DIMENSIONS ARE IN MILLIMETERS.</small> <small>TOLERANCES - UNLESS OTHERWISE SPECIFIED</small>		<small>DATE</small> <small>11/23/13</small>		<small>PLANAR SYSTEMS, INC.</small> <small>1195 NW COMPTON DRIVE</small> <small>BEAVERTON, OR 97006 USA</small>
<small>X= ±1</small> <small>XX= ±25</small>	<small>Y= ±1</small> <small>YY= ±25</small>	<small>DRAWN BY</small> <small>R.DAVENPORT</small>		
<small>X= ±.5</small> <small>ANGLES= ±1°</small>	<small>DATE</small> <small>PT1745</small>	<small>CHECKED BY</small> <small></small>	<small>TITLE</small> DWG. SPEC, MECH OUTLINE, PT1745X	
<small>DIMENSIONING AND TOLERANCING PER ASME Y14.5M-1994</small>	<small>MATERIAL</small> <small>PT1745</small>	<small>USED ON</small> <small>PT1745</small>	<small>DATE</small> <small>D</small>	<small>REV</small> <small>A</small>
<small>THIRD ANGLE PROJECTION</small>	<small>FINISH</small> <small></small>	<small>SCALE</small> <small>1:2</small>	<small>PART NUMBER</small> <small>997-5969-00 997-7414-00</small> <small>997-6397-00 997-7454-00</small>	<small>DRAWING NUMBER</small> <small>076-0768-00</small>
<small>THIS DRAWING CONTAINS INFORMATION PROPRIETARY TO PLANAR SYSTEMS, INC. ANY REPRODUCTION IN PART OR WHOLE WITHOUT THE WRITTEN PERMISSION OF PLANAR SYSTEMS IS PROHIBITED. THIS DRAWING IS SUPPLIED FOR INFORMATION, IDENTIFICATION, ENGINEERING, EVALUATION, AND/OR INSPECTION PURPOSES ONLY AND MAY NOT BE USED AS BASIS FOR THE MANUFACTURE OF PRODUCTS OR THE FURNISHING OF SERVICES TO PLANAR SYSTEMS OR TO ANY THIRD PARTY UNLESS AUTHORIZED IN WRITING BY PLANAR SYSTEMS.</small>		<small>DO NOT SCALE</small>	<small>SHEET</small> <small>1 OF 1</small>	