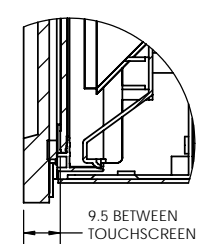
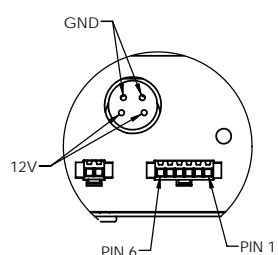
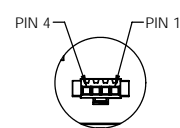
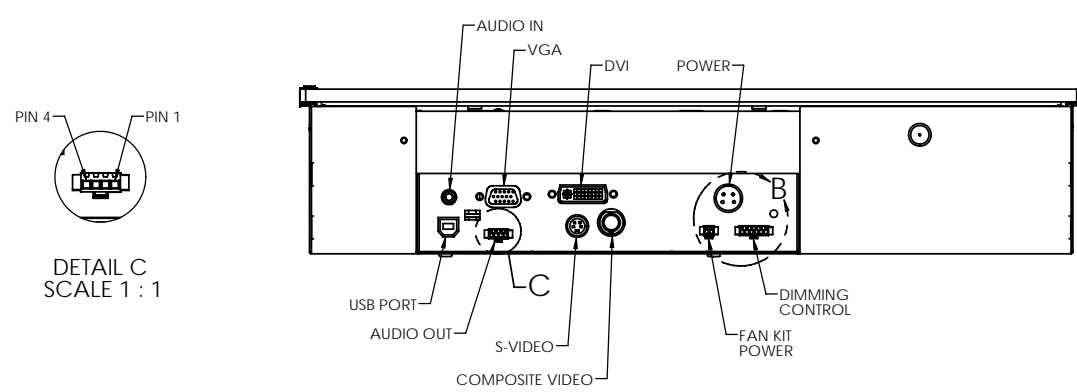
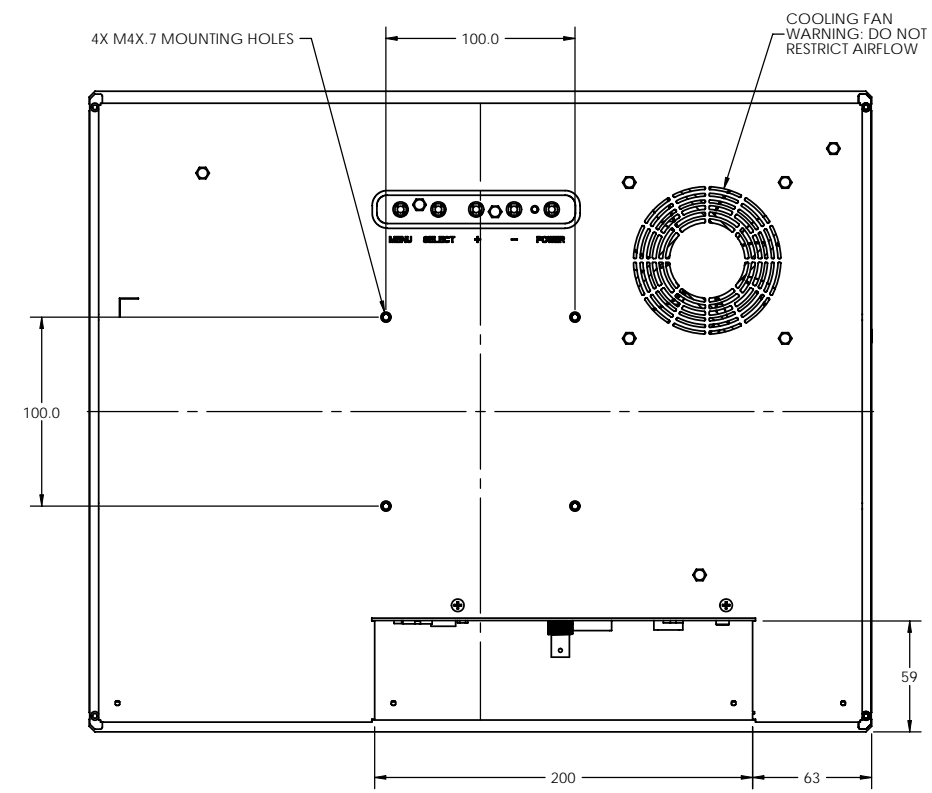
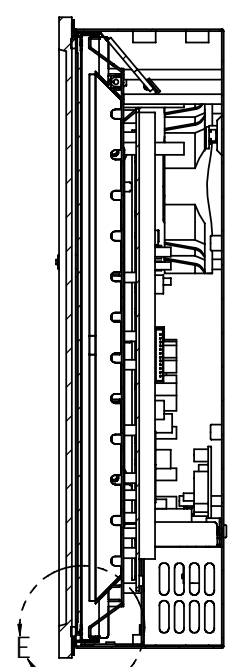
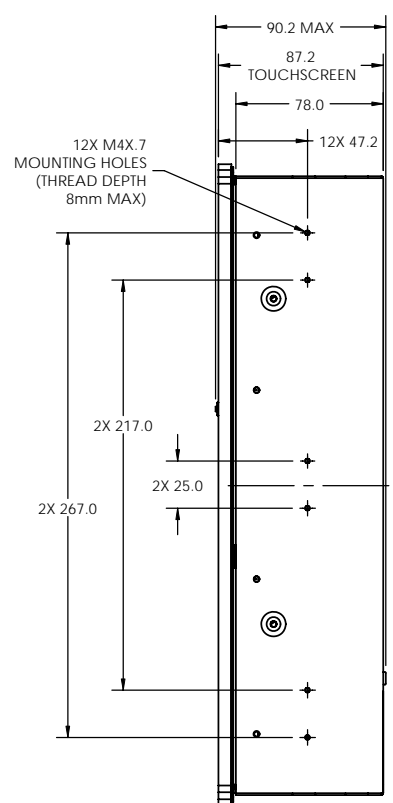
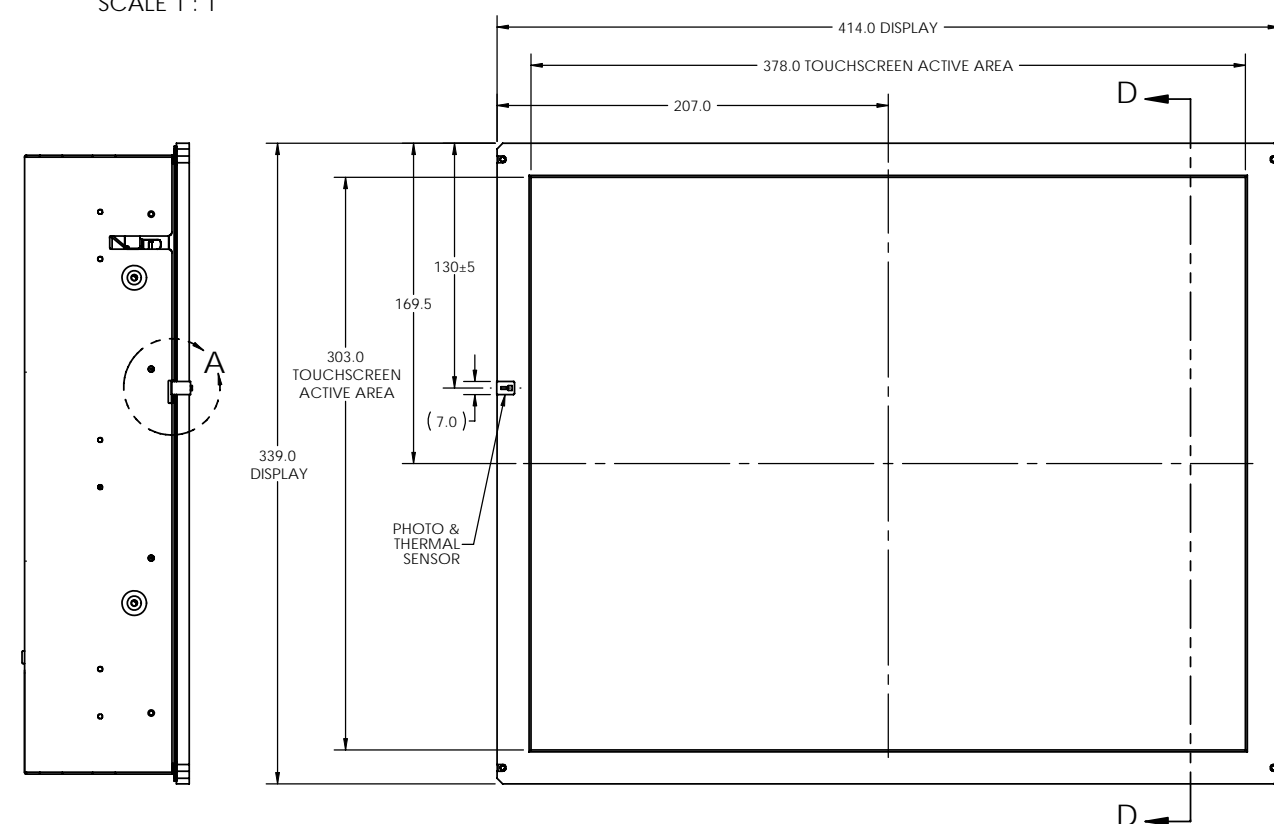
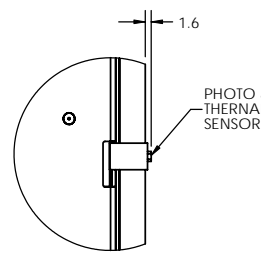
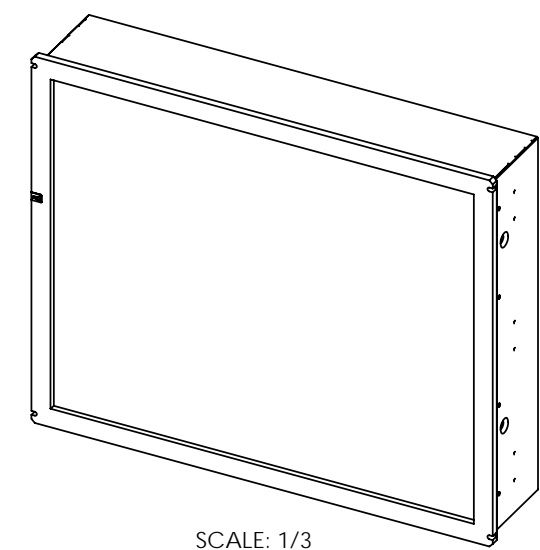


REVISIONS				
ZONE	REV.	DESCRIPTION	DATE	APPROVED
	A	INITIAL RELEASE	08/08/07	RD

- NOTES:
1. SHEET METAL HOUSING IS EG PLATING.
 2. SOLID MODEL AVAILABLE UPON REQUEST.
 3. PART IS RoHS COMPLIANT.



UNLESS OTHERWISE SPECIFIED, DIMENSIONS ARE IN MILLIMETERS.		DESIGNED BY		PLANNED BY		 PLANAR SYSTEMS, INC. 1195 NW COMPTON DRIVE BEAVERTON, OR 97006 USA
TOLERANCES:		DRAWN BY	R. DAVENPORT	CHECKED BY	06/20/07	
X= ±1	XX= ±25	USED ON				DWG, SPEC, MECH O/L LC1913RTI
.X= ±.5	ANGLES= ±1°	DIMENSIONING AND TOLERANCING PER	ASME Y14.5M 1994	MATERIAL	NA	SIZE
THIRD ANGLE PROJECTION		FINISH	NA	REV		D
		SCALE	1:2	DO NOT SCALE		1 OF 1

THIS DRAWING CONTAINS INFORMATION PROPRIETARY TO PLANAR SYSTEMS, INC. ANY REPRODUCTION IN PART OR WHOLE WITHOUT THE WRITTEN PERMISSION OF PLANAR SYSTEMS IS PROHIBITED. THIS DRAWING IS SUPPLIED FOR INFORMATION, IDENTIFICATION, ENGINEERING EVALUATION, AND/OR INSPECTION PURPOSES ONLY AND MAY NOT BE USED AS A BASIS FOR THE MANUFACTURING OF PRODUCTS OR THE FURNISHING OF SERVICES TO PLANAR SYSTEMS OR TO ANY THIRD PARTY, UNLESS AUTHORIZED IN WRITING BY PLANAR SYSTEMS.