



PX2320MW
LCD Monitor

USER'S GUIDE

www.planar.com

The information contained in this document is subject to change without notice. This document contains proprietary information that is protected by copyright. All rights are reserved. No part of this document may be reproduced, translated to another language or stored in a retrieval system, or transmitted by any means, electronic, mechanical, photocopying, recording, or otherwise, without prior written permission. Windows is a registered trademark of Microsoft, Inc. Other brand or product names are trademarks of their respective holders.

Important Recycle Instruction:


 LCD Lamp(s) inside this product contain mercury. This product may contain other electronic waste that can be hazardous if not disposed of properly. Recycle or dispose in accordance with local, state, or federal Laws. For more information, contact the Electronic Industries Alliance at WWW.EIAE.ORG. For lamp specific disposal information check WWW.LAMPRECYCLE.ORG.

Table of Contents

Usage Notice

| | |
|--------------------------|---|
| <i>Precautions</i> | 2 |
|--------------------------|---|

Introduction

| | |
|--------------------------------|---|
| <i>About the Product</i> | 3 |
| <i>Package Overview</i> | 4 |

Installation

| | |
|--------------------------------------|---|
| <i>Product Overview</i> | 5 |
| <i>Start Your Installation</i> | 8 |

User Controls

| | |
|---------------------------------------|----|
| <i>Front Panel Controls</i> | 10 |
| <i>How to Use the OSD Menus</i> | 11 |
| <i>On-Screen Display Menus</i> | 12 |

Appendices

| | |
|----------------------------------|----|
| <i>Troubleshooting</i> | 14 |
| <i>Warning Signal</i> | 15 |
| <i>Product Dimensions</i> | 16 |
| <i>Compatibility Modes</i> | 17 |

Usage Notice



Warning- To prevent the risk of fire or shock hazards, do not expose this product to rain or moisture.



Warning- Please do not open or disassemble the product as this may cause electric shock.

Precautions

Follow all warnings, precautions and maintenance as recommended in this user's manual to maximize the life of your unit.

Do:

- Turn off the product before cleaning.
- Use only a dry soft cloth or clean room wiper when cleaning the LCD Display screen surface.
- Use a soft cloth moistened with mild detergent to clean the display housing.
- Use only a high quality and safety approved AC/DC power adapter.
- Disconnect the power plug from the AC outlet if the product is not going to be used for an extended period of time.

Don't:

- Do not touch the LCD Display screen surface with sharp or hard objects.
- Do not use abrasive cleaners, waxes or solvents for your cleaning.
- Do not operate the product under the following conditions:
 - Extremely hot, cold or humid environment.
 - Areas susceptible to excessive dust and dirt.
 - Near any appliance generating a strong magnetic field.
 - Place in direct sunlight.

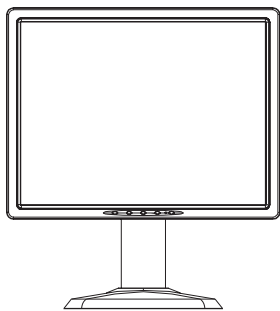
Introduction

About the Product

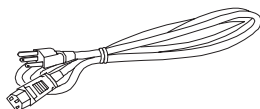
Having a 23.1" LCD display with an active matrix, thin-film transistor (TFT) liquid crystal display (LCD), this product also demonstrates the following outstanding features.

- ❑ Analog and Digital dual signal input
- ❑ Composite and S-Video signal input
- ❑ USB port connectivity
- ❑ 23.1" diagonal screen size
- ❑ 1920 x 1200 high resolution
- ❑ Wide Viewing Angle Technology
- ❑ 30 ~ 95 kHz horizontal scan
- ❑ 60 ~ 85 Hz refresh rate
- ❑ Auto Adjustment capability
- ❑ PIP (Picture-in-Picture) and PAP (Picture-and-picture) capability
- ❑ High quality full screen re-scaling capability
- ❑ Multiple aspect ratio selection (Native, Full, Aspect, Panorama)
- ❑ Internal power adaptor
- ❑ VESA DPMS power saving
- ❑ Built-in speaker for multimedia application
- ❑ Kensington lock capability

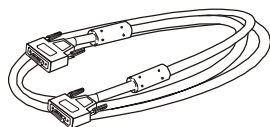
Package Overview



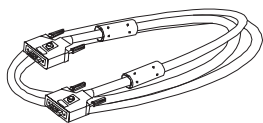
LCD Display



Power Cord



VGA Signal Cable



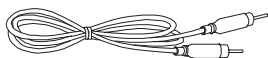
DVI-D Cable



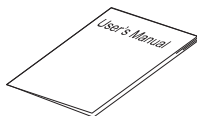
Audio-In Cable



S-Video Cable



Video Cable



User's Guide



Landing Strip



USB Upstream Cable

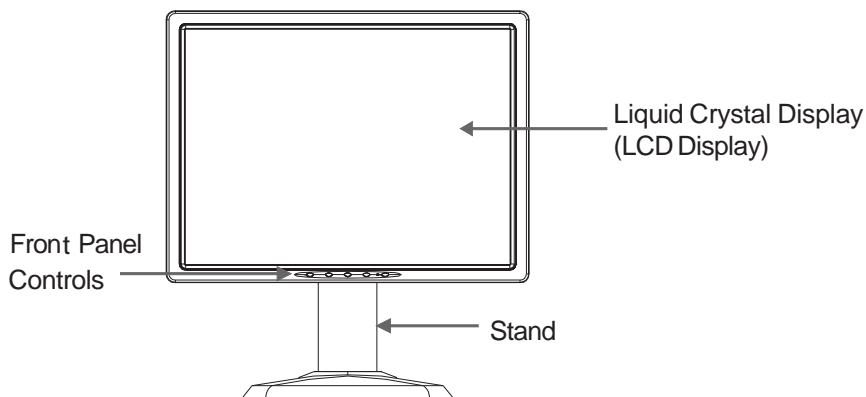


Family Product CD

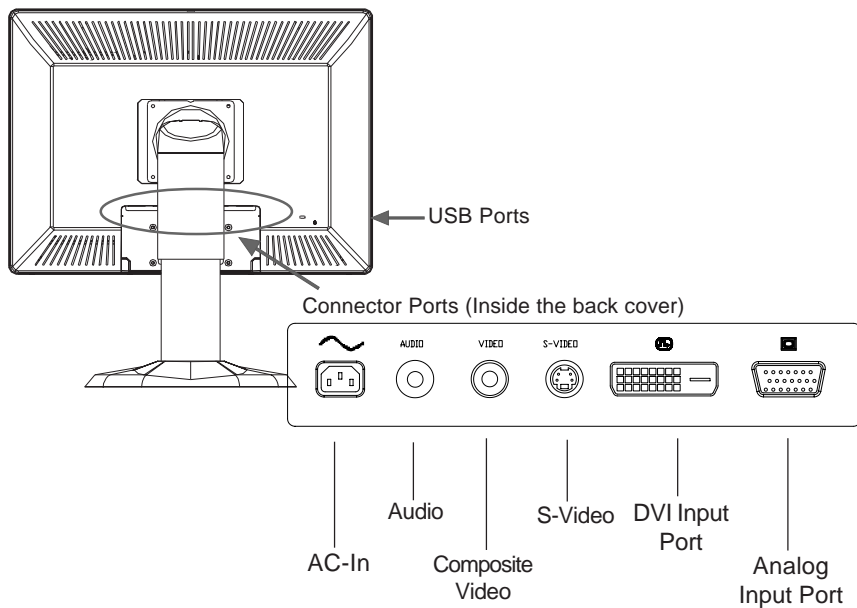
Installation

Product Overview

◆ Front View

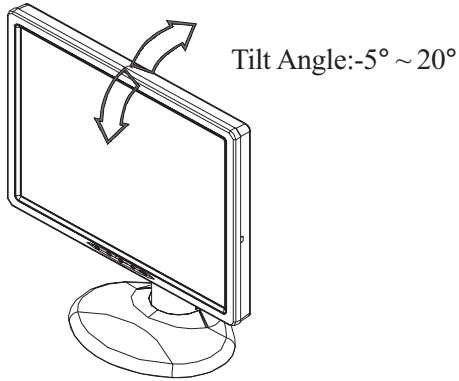


◆ Back View



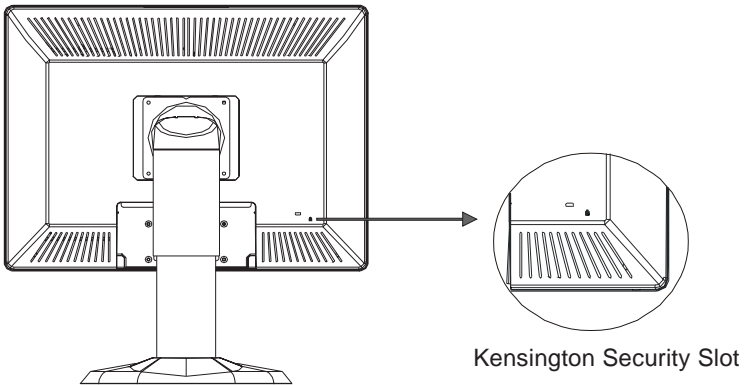
◆ Tilt

Grasp the LCD Display with both hands and adjust the tilt as desired.



◆ Kensington Security Slot

The monitor can be secured to your desk or any other fixed object with Kensington lock security products. Kensington lock is not included.

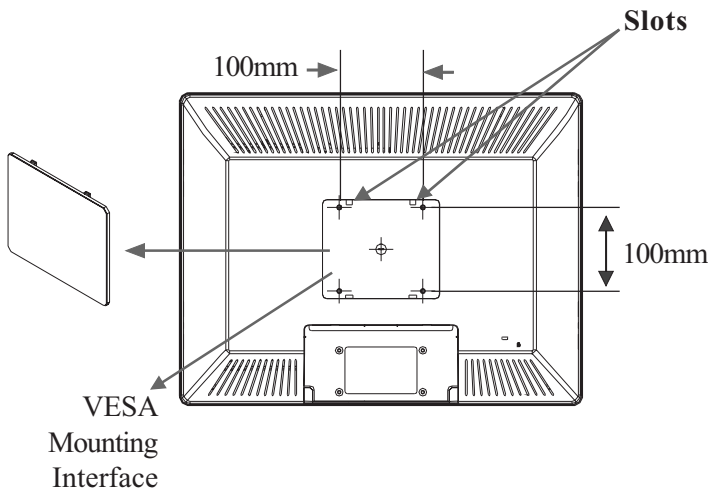


◆ VESA Mount on your monitor

This monitor conforms to the VESA Flat Panel Mounting Physical Mounting Interface Standard which defines a physical mounting interface for flat panel monitors, and corresponding standards for flat panel monitor mounting devices, such as wall and table arms. The VESA mounting interface is located on the back of your monitor.

The VESA Mounting slots of this model are located inside the rear cover (shown in the following figure).

To mount the monitor on a swing arm or other mounting fixture, follow the instruction included with the mounting fixture to be used.



⚠ Warning!

Please select the proper screws!

The depth from plastic back cover to the bottom of the screw hole is 8mm. The spec is M4 screw.

Start Your Installation

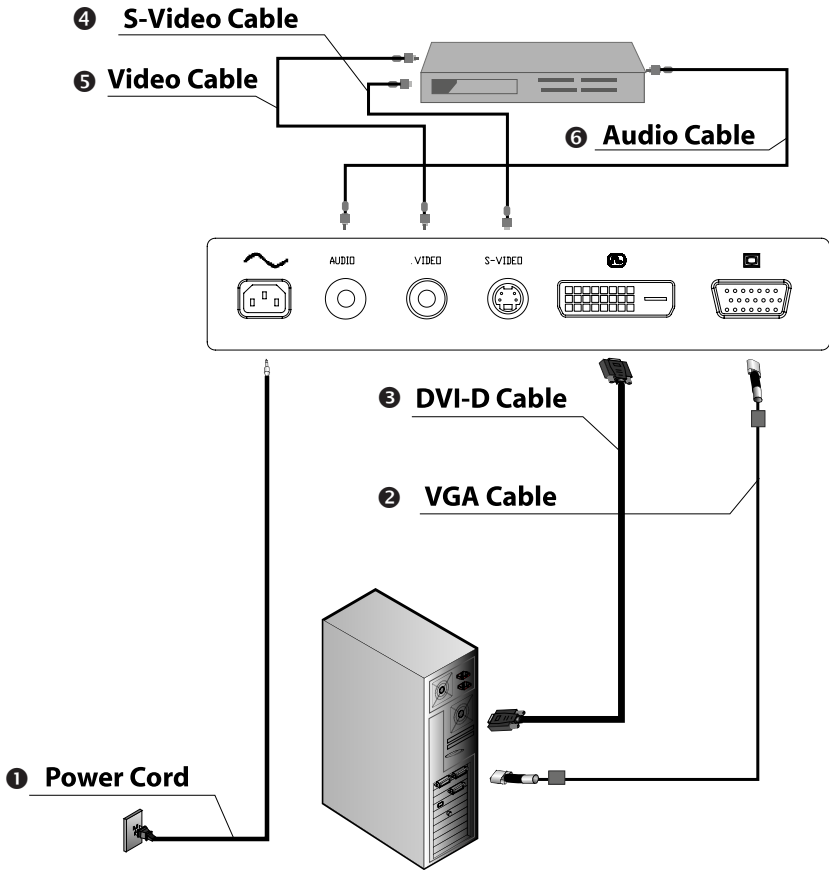
◆ Connecting the Display (Figure 10.1)

To setup this display, please refer to the following figure and procedures.

1. Be sure all equipment is turned off.
2. Connect the DC power cord to the power connector; plug one end of the AC power cord into the power adapter, and the other end into an electrical outlet(❶).
3. For the PC with Analog output: Connect the VGA signal cable from display VGA input connector to the 15-pin connector of your host computer and tighten the screws(❷).
4. For the PC with DVI digital output: Connect the DVI signal cable to the connector of the display card in your computer; connect the other side to the DVI-D input port of your display. Tighten the screws(❸).
5. If your video source uses a round, four-prong S-Video connector, please use the S-Video cable(❹).
6. If your video source uses a round, one-prong composite video connector, please use the video cable(❺).
7. If your audio source uses a round, one-prong composite audio connector, please use the audio cable(❻).
8. Turn on your computer, display and video source.

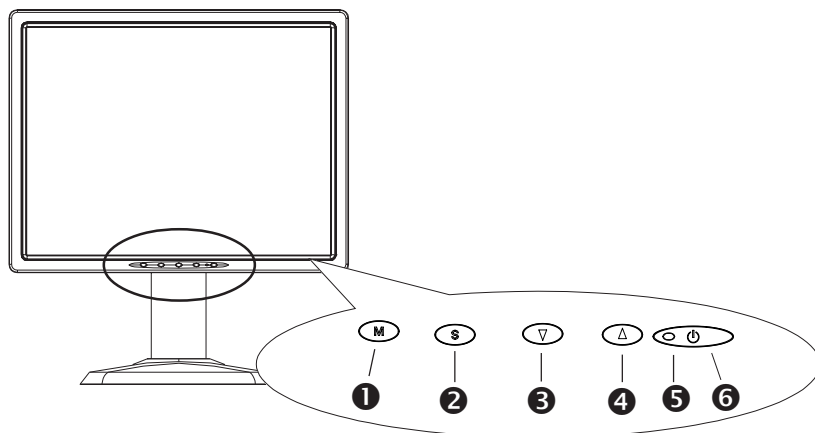
Notice: To ensure the LCD Display will work well with your computer, please configure the display mode of your graphics card to make it less than or equal to 1920 x 1200 resolution and make sure the timing of the display mode is compatible with the LCD screen. We have listed the "Compatibility Modes" of this LCD screen in appendices for your reference.

Figure 10.1



User Controls

Front Panel Controls



| No/Icon | Control | Function |
|----------|----------------------------|--|
| ① MENU | Menu button | To Enter / Exit the OSD menus. |
| ② SELECT | 1. Auto 2. Select | 1.To activate the"Auto Adjustment" function to obtain an optimum image. 2.To Select the adjustment items from the OSD menu. |
| ③ ▼ | 1. Brightness 2. Adjust | 1. Enters the Brightness OSD menu. 2. Allows you to highlight and adjust items in the OSD menu. |
| ④ ▲ | 1. Mute 2. Adjust | 1. To turn the volume On / Off. 2. Allows you to highlight and adjust items in the OSD menu. |
| ⑤ | Power LED | 1. Green indicates the display is turned on. 2. Amber indicates the display is in power-save mode. |
| ⑥ ⏻ | Power switch | Switches On / Off power to the LCD display. |

How to Use the OSD Menu

1. Press the “MENU” button to pop up the on-screen menu and to select among the six Main Menu.
2. Choose the adjustment items by pressing the “SELECT” button.
3. Adjust the value of the adjustment items by pressing the “▼” or “▲” button.
4. After a period of inactivity the OSD menu will automatically disappear.

On-Screen Display Menus

1. VGA / DVI Input

| Main Menu | Menu Level 2 | Menu Level 3 | Function Description |
|-----------|--------------|--------------|---|
| Volume | | | To adjust the sound volume. |
| Contrast | | | To adjust the contrast of the image |
| Color | | | 1. To adjust the color temperature. 2. Allows you to adjust the red, green and blue colors of the display. |
| PIP | PIP Mode | | 1. PIP Mode On/Off. 2. Allows you to select PIP, PAP model. |
| | Source | | Allows you to select Video, and S-Video |
| | Size | | Allows you to adjust size of display. |
| | H. Position | | Allows you to move the horizontal position of the PIP window. |
| | V. Position | | Allows you to move the vertical position of the PIP window. |
| Source | | | Allows you to select VGA, DVI, Video, and S-Video model. |
| Advanced | Image | Aspect Ratio | Used to size the image being displayed in several different ways. Native:Displays the incoming image as it is. Full:Resizes the image to fill the the whole screen. Aspect:Fill to aspect ratio. |
| | | Clock | Changes the displays data frequency to match the frequency of your graphics card. When you experience a vertical flickering bar,use this function to make an adjustment. |
| | | Phase | Synchronizes the signal timing of the display to that of the graphics card. When you experience an unstable to flickering image,use this function to make an adjustment. |
| | | H. Position | Changes the horizontal position of the image. |
| | | V. Position | Changes the vertical position of the image. |
| | OSD | Language | Allows you to choose the OSD menu language. |
| | | Time-out | To adjust the amount of time the OSD menu is to remain displayed. |
| | | H. Position | Allows you to move the horizontal position of the OSD window. |
| | | V. Position | Allows you to move the vertical position of the OSD window. |
| | Information | | Display the timing mode. |
| | Reset | | To return the display parameters of the current mode to their factory default settings. |

2. Video Input

| Main Menu | Menu Level 2 | Menu Level 3 | Function Description |
|-----------|--------------|-----------------|--|
| Volume | | | To adjust the sound volume. |
| Contrast | | | To adjust the contrast of the image |
| Color | | | Allows you to adjust the Saturation, Tint, Flesh Tone and Black Level of the display. |
| PIP | PIP Mode | | 1. PIP Mode On/Off. 2. Allows you to select PIP, PAP model. |
| | Source | | Allows you to select Video, and S-Video |
| | Size | | Allows you to adjust size of display. |
| | H. Position | | Allows you to move the horizontal position of the PIP window. |
| | V. Position | | Allows you to move the vertical position of the PIP window. |
| Source | | | Allows you to select VGA, DVI, Video, and S-Video model. |
| Advanced | Image | Sharpness | Adjusts the sharpness of the image. |
| | | Aspect Ratio | Used to size the image being displayed in several different ways. Native:Displays the incoming image as it is. Full:Resizes the image to fill the the whole screen. Aspect:Fill to aspect ratio. Panorama:Non-linear scaling is available for aspect ratio conversion. |
| | | Noise Reduction | Noise reduction is implemented noise reduction filters to the video data. |
| | OSD | Language | Allows you to choose the OSD menu language. |
| | | Time-out | To adjust the amount of time the OSD menu is to remain displayed. |
| | | H. Position | Allows you to move the horizontal position of the OSD window. |
| | | V. Position | Allows you to move the vertical position of the OSD window. |
| | Information | | Display the timing mode. |
| | Reset | | To return the display parameters of the current mode to their factory default settings. |

Appendix

Troubleshooting

If you are experiencing trouble with the LCD display, refer to the following trouble shooting. If the problem persists, please contact your local dealer or our service center.

Problem: No image appears on screen.

- ▶ Check that all the I/O and power connectors are correctly and well connected as described in the “Installation” section.
- ▶ Make sure the pins of the connectors are not crooked or broken.

Problem: Partial image or incorrectly displayed image.

- ▶ Check to see if the resolution of your computer is higher than that of the LCD Display.
- ▶ Reconfigure the resolution of your computer to make it less than or equal to 1920 x 1200.

Problem: Image has vertical flickering line bars.

- ▶ Use “Clock” to make an adjustment.
- ▶ Check and reconfigure the display mode of the vertical refresh rate of your graphics card to make it compatible with the LCD Display.

Problem: Image is unstable and flickering

- ▶ Use “Phase” to make an adjustment.

Problem: Image is scrolling

- ▶ Check and make sure the VGA signal cable (or adapter) is well connected.
- ▶ Check and reconfigure the display mode of the vertical refresh rate of your graphics card to make it compatible with the LCD Display.

Problem: Vague image (characters and graphics)

- ▶ Use “Clock” to make an adjustment. If this problem still exists, use “Phase” to make an adjustment.

Warning Signal

Sometimes you may see warning messages for this LCD Display. This means that the LCD Display cannot correctly receive the signal from the computer graphics card.

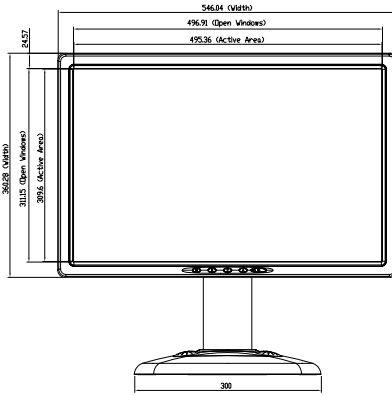
▶ **No Input Signal**

This message means that the LCD Display has been powered on but it cannot receive any signal from the computer graphics card. Check all the power switches, power cables, and VGA signal cable.

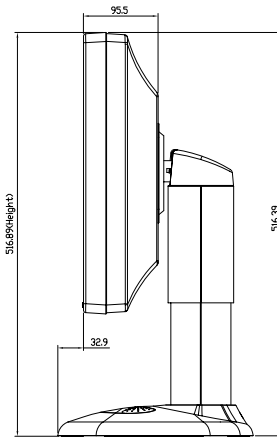
▶ **Signal Out Of Range**

This message means that the signal of the computer graphics card is not compatible with the LCD Display. When the signal is not included in the compatibility mode we have listed in the Appendices of this manual, the LCD Display will show this message.

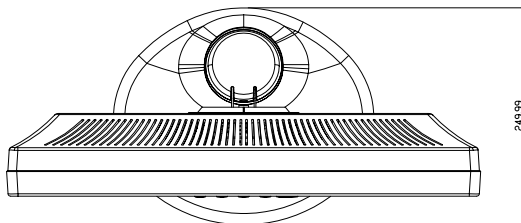
Product Dimensions



Front View



Side View



Top View

Compatibility Modes

| Mode | Resolution | V. Frequency (Hz) | H. Frequency (kHz) |
|----------|-------------|-------------------|--------------------|
| IBM VGA | 640 x 350 | 70.00 | 31.46 |
| IBM VGA | 720 x 400 | 70.08 | 31.46 |
| VESA DMT | 640 x 480 | 59.94 | 31.46 |
| VESA DMT | 640 x 480 | 75.00 | 37.50 |
| VESA DMT | 640 x 480 | 85.00 | 43.26 |
| VESA DMT | 800 x 600 | 60.31 | 37.87 |
| VESA DMT | 800 x 600 | 75.00 | 46.87 |
| VESA DMT | 800 x 600 | 85.06 | 53.67 |
| VESA DMT | 1024 x 768 | 60.00 | 48.36 |
| VESA DMT | 1024 x 768 | 75.02 | 60.02 |
| VESA DMT | 1024 x 768 | 84.99 | 68.67 |
| VESA DMT | 1152 x 864 | 75.00 | 67.50 |
| VESA GTF | 1152 x 864 | 85.00 | 77.09 |
| VESA DMT | 1280 x 1024 | 60.02 | 63.98 |
| VESA DMT | 1280 x 1024 | 75.02 | 79.97 |
| VESA DMT | 1280 x 1024 | 85.02 | 91.14 |
| VESA DMT | 1600 x 1200 | 60.00 | 75.00 |
| VESA CVT | 1280 x 720 | 59.85 | 44.77 |
| VESA CVT | 1280 x 720 | 74.77 | 56.45 |
| VESA CVT | 1280 x 720 | 84.84 | 64.39 |
| VESA CVT | 1920 x 1080 | 59.93 | 66.58 |
| VESA CVT | 1680 x 1050 | 59.95 | 65.29 |
| VESA CVT | 1920 x 1200 | 59.95 | 74.03 |

Planar Systems, Inc.

Customer Service

Online Support : <http://www.planar.com/support>

Email : PlanarSupport@planar.com

Tel : 1-866-PLANAR-1 (1-886-752-6271)

Hours : M-F, 8am-8pm Eastern Time (5am-5pm Pacific Time)

©2006 Planar Systems, Inc. Planar is a registered trademark of Planar Systems, Inc.

Other brands and names are the property of their respective owners.

Technical information in this document is subject to change without notice.