



PX212M
LCD Monitor

USER'S GUIDE

www.planar.com

Planar Systems, Inc.

1195 NW Compton Drive
Beaverton, OR 97006-1992
www.planar.com

Customer Service

Planar provides the following technical support services:

Internet Support

For support available 24/7 visit Planar's Online Technical Support at www.planar.com/support. Our Online Technical Support is where you'll find solutions to many common problems, download documentation, view answers to frequently asked questions (FAQs) and get troubleshooting advice, or email Planar your support question.

Talk to a Customer Service Representative

To contact Planar's Customer First(TM) Technical Support Service call 1.866.PLANAR.1 (866.752.6271). This service is available 5am - 5pm Pacific Time, 8am - 8pm Eastern Time, Monday through Friday.

Contact Us

24x7 Online Technical Support: <http://www.planar.com/support>

Email: PlanarSupport@planar.com

Tel: 1-866-PLANAR1 (866) 752-6271

Hours: M-F, 5am - 5pm Pacific Time, 8am - 8pm Eastern

The information contained in this document is subject to change without notice.
This document contains proprietary information that is protected by copyright. All rights are reserved. No part of this document may be reproduced, translated to another language or stored in a retrieval system, or transmitted by any means, electronic, mechanical, photocopying, recording, or otherwise, without prior written permission. Windows is a registered trademark of Microsoft, Inc.
Other brand or product names are trademarks of their respective holders.

Important Recycle Instruction:


 LCD Lamp(s) inside this product contain mercury. This product may contain other electronic waste that can be hazardous if not disposed of properly. Recycle or dispose in accordance with local, state, or federal Laws. For more information, contact the Electronic Industries Alliance at WWW.EIAE.ORG. For lamp specific disposal information check WWW.LAMPRECYCLE.ORG.

Table of Contents

Usage Notice

<i>Precautions</i>	2
--------------------------	---

Introduction

<i>About the Product</i>	3
<i>Package Overview</i>	4

Installation

<i>Product Overview</i>	5
<i>Start Your Installation</i>	8


User Controls


<i>Front Panel Controls</i>	11
<i>How to Use the OSD Menus</i>	12
<i>On-Screen Display Menus</i>	13

Appendices

<i>Troubleshooting</i>	14
<i>Warning Signal</i>	15
<i>Product Dimensions</i>	16
<i>Compatibility Modes</i>	17
<i>Pivot Software Installation</i>	18

Usage Notice

-  **Warning-** To prevent the risk of fire or shock hazards, do not expose this product to rain or moisture.

-  **Warning-** Please do not open or disassemble the product as this may cause electric shock.

Precautions

Follow all warnings, precautions and maintenance as recommended in this user's manual to maximize the life of your unit.

Do:

- Turn off the product before cleaning.
- Use only a dry soft cloth or clean room wiper when cleaning the LCD Display screen surface.
- Use a soft cloth moistened with mild detergent to clean the display housing.
- Use only a high quality and safety approved AC/DC power adapter.
- Disconnect the power plug from the AC outlet if the product is not going to be used for an extended period of time.

Don't:

- Do not touch the LCD Display screen surface with sharp or hard objects.
- Do not use abrasive cleaners, waxes or solvents for your cleaning.
- Do not operate the product under the following conditions:
 - Extremely hot, cold or humid environment.
 - Areas susceptible to excessive dust and dirt.
 - Near any appliance generating a strong magnetic field.
 - Place in direct sunlight.

Introduction

About the Product

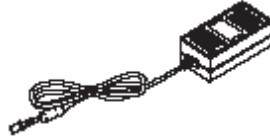
Having a 21.3" LCD display with an active matrix, thin-film transistor (TFT) liquid crystal display (LCD), this product also demonstrate the following outstanding features.

- ❑ Dual Analog and Digital signal input
- ❑ 21.3" diagonal screen size
- ❑ 1600 x 1200 high resolution
- ❑ Wide Viewing Angle Technology
- ❑ 31.5 ~ 91.1 kHz horizontal scan
- ❑ 56 ~ 85 Hz refresh rate
- ❑ Auto Adjustment and Re-scaling function
- ❑ High quality full screen re-scaling capability
- ❑ Multilingual OSD user controls
- ❑ VESA DPMS power saving
- ❑ Video capability
- ❑ Audio capability
- ❑ Kensington lock capability

Package Overview



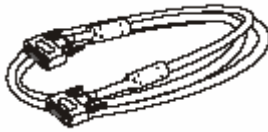
LCD Display



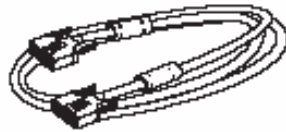
Power Adapter



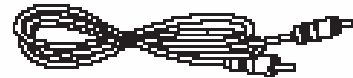
Power Cord



VGA Signal Cable



DVI-D Cable



Audio-In Cable



S-Video Cable



Video Cable



User's Guide



Landing Strip



Pivot Software
(Optional)

Register Your Planar Products Today

Thank you for choosing Planar. To assure you receive all the benefits of your Planar product and services, register your Planar product today. Visit our website to register your product at

http://www.planar.com/support/product_registration.html

Cables, Replacement Lamps and Accessories

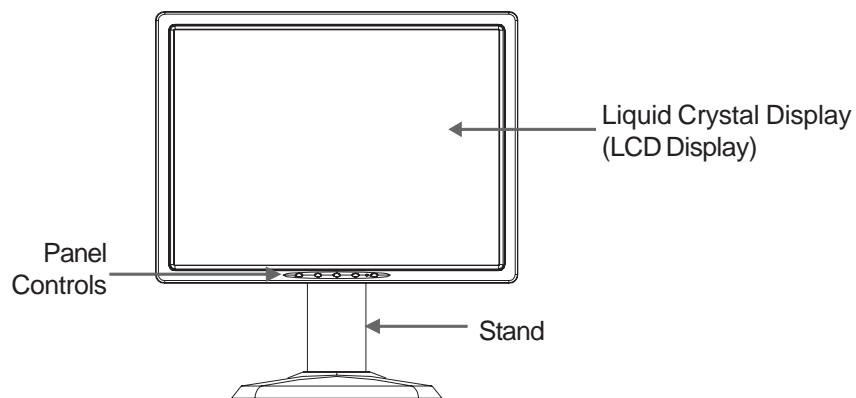
To find cables, replacement lamps and accessories for your Planar projector, LCD monitor, touchscreen or other Planar products visit our online store at www.PlanarOnline.com or find other stores who carry Planar products at

<http://www.planar.com/howtobuy>

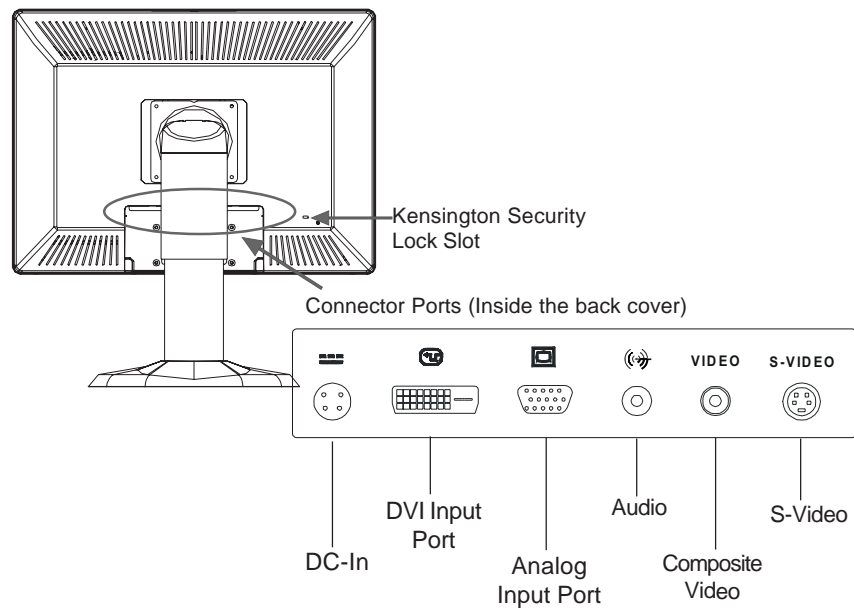
Installation

Product Overview

◆ Front View

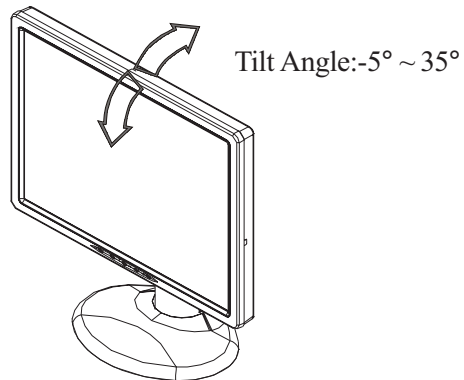


◆ Back View



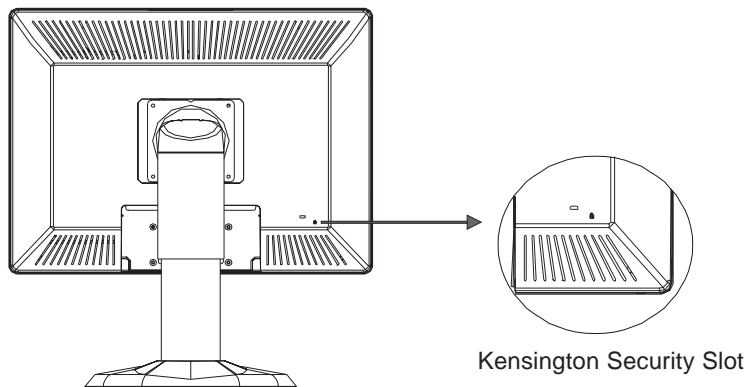
◆ Tilt

Grasp the LCD Display with both hands and adjust the tilt as desired.



◆ Kensington Security Slot

The monitor can be secured to your desk or any other fixed object with Kensington lock security products. Kensington lock is not included.

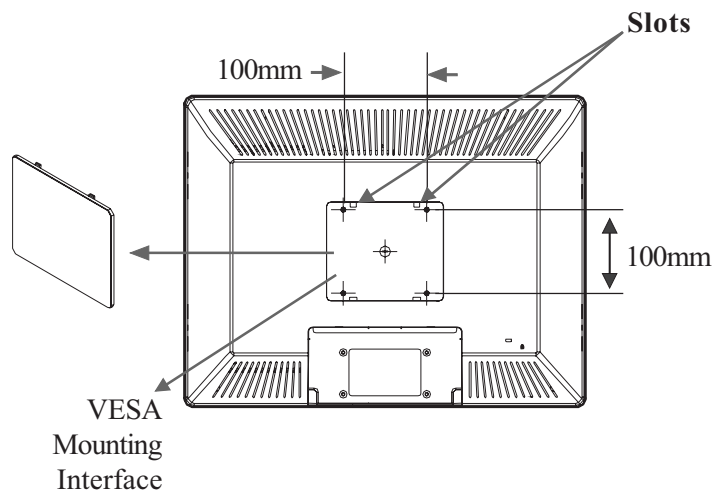


◆ VESA Mount on your monitor

This monitor conforms to the VESA Flat Panel Mounting Physical Mounting Interface Standard which defines a physical mounting interface for flat panel monitors, and corresponding standards for flat panel monitor mounting devices, such as wall and table arms. The VESA mounting interface is located on the back of your monitor.

The VESA Mounting slots of this model are located inside the rear cover (shown in the following figure).

To mount the monitor on a swing arm or other mounting fixture, follow the instruction included with the mounting fixture to be used.



⚠ Warning!

Please select the proper screws!

The depth from plastic back cover to the bottom of the screw hole is 8mm. The spec is M4 screw.

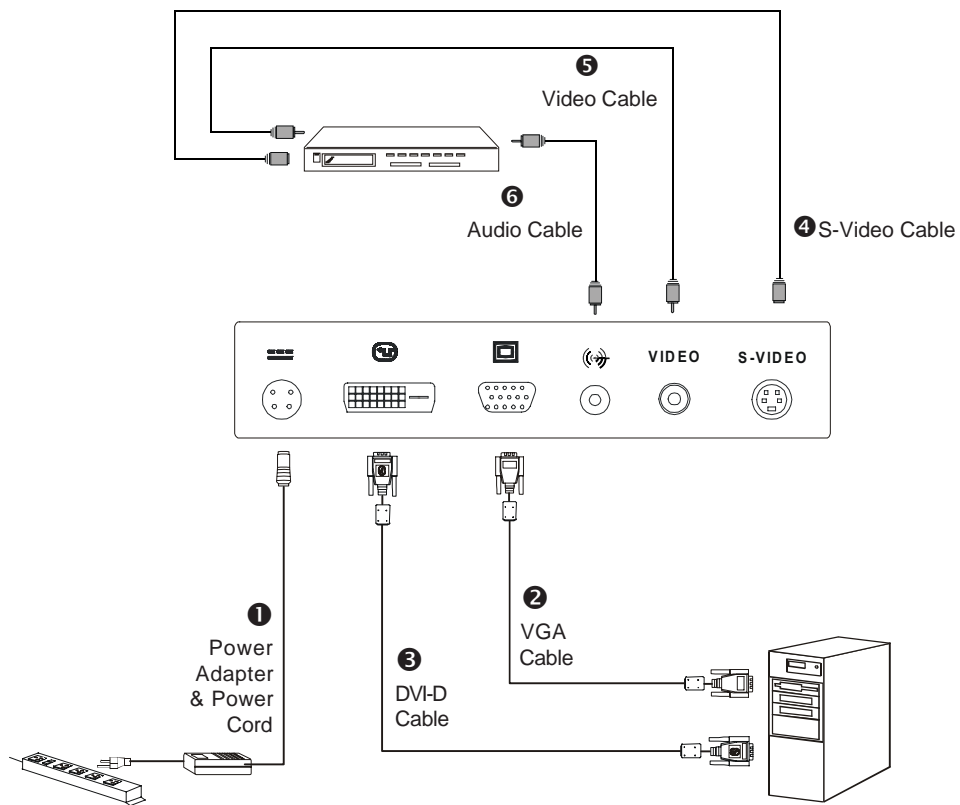
Start Your Installation

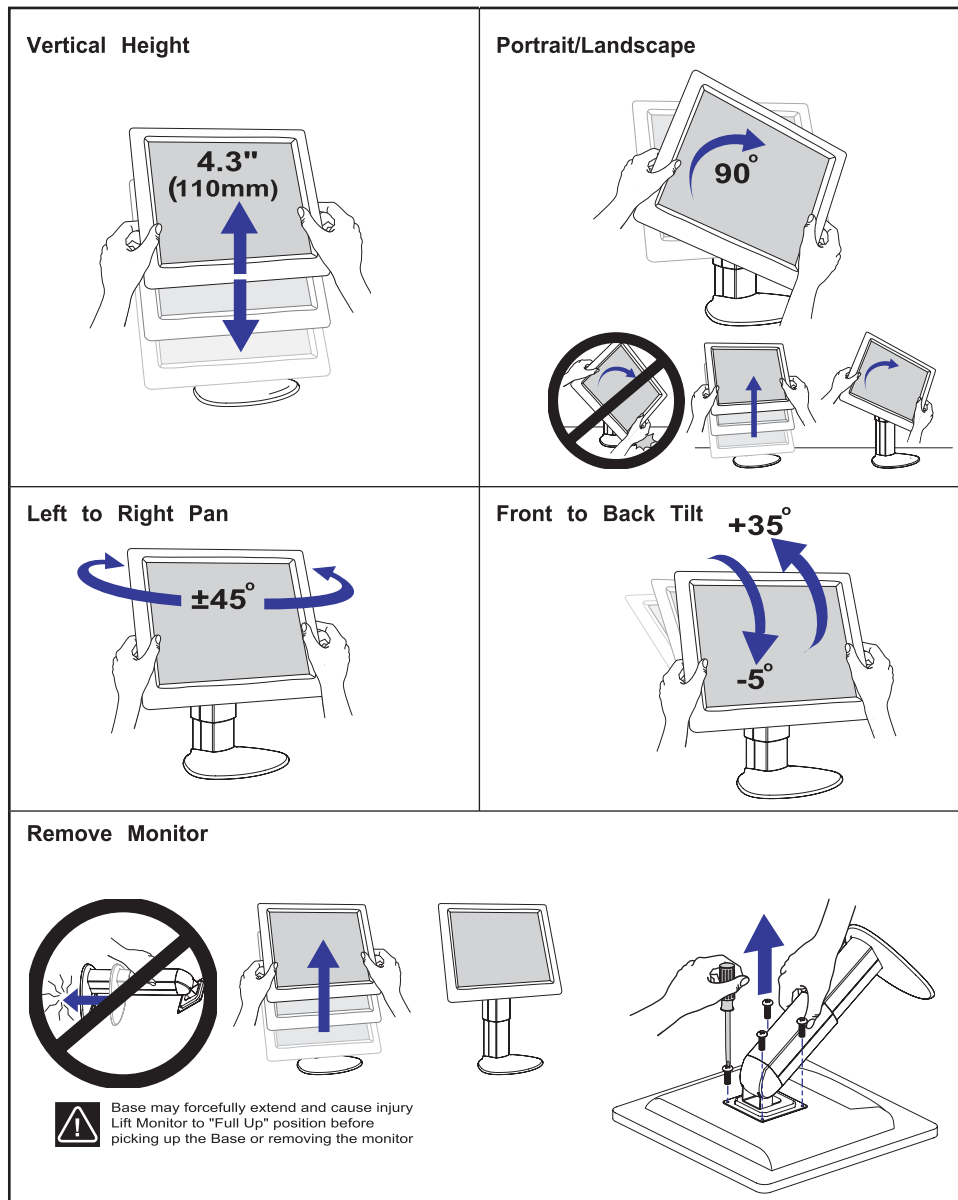
◆ Connecting the Display (Figure 10.1)

To setup this display, please refer to the following figure and procedures.

1. Be sure all equipment is turned off.
2. Connect the DC power cord to the power connector; plug one end of the AC power cord into the power adapter, and the other end into an electrical outlet(❶).
3. For the PC with Analog output: Connect the VGA signal cable from display VGA input connector to the 15-pin connector of your host computer and tighten the screws(❷).
4. For the PC with DVI digital output: Connect the DVI signal cable to the connector of the display card in your computer; connect the other side to the DVI-D input port of your display. Tighten the screws(❸).
5. If your video source uses a round, four-prong S-Video connector, please use the S-Video cable(❹).
6. If your video source uses a round, one-prong composite video connector, please use the video cable(❺).
7. If your audio source uses a round, one-prong composite audio connector, please use the audio cable(❻).
8. Turn on your computer, display and video source.

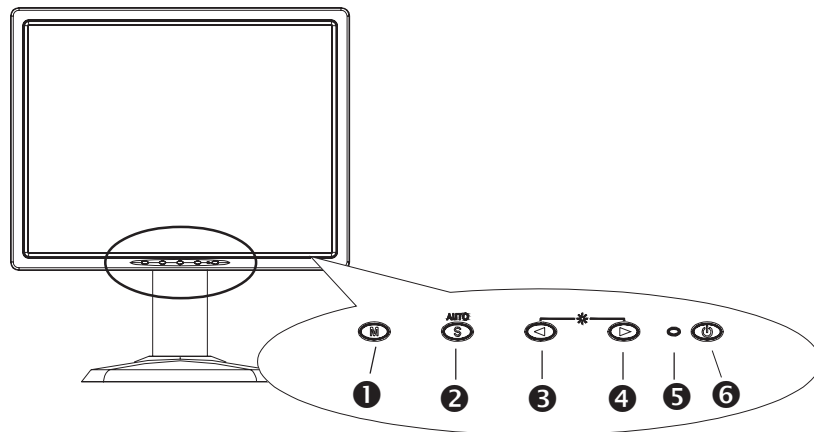
Notice: To ensure the LCD Display will work well with your computer, please configure the display mode of your graphics card to make it less than or equal to 1600 x 1200 resolution and make sure the timing of the display mode is compatible with the LCD screen. We have listed the "Compatibility Modes" of this LCD screen in appendices for your reference.

Figure 10.1



User Controls

Front Panel Controls



No / Icon	Control	Function
① MENU	Menu button	To pop the OSD menus.
② SELECT	Select/Auto	To select the adjustment items from OSD menus. To activate the "Auto adjustment" function to obtain an optimum image.
③ ◀	Brightness Minus/Minus	1. Decreases the brightness of the display image. 2. Decreases the value of the adjustment items.
④ ▶	Brightness Plus/Plus	1. Increases the brightness of the display image. 2. Increases the value of the adjustment items.
⑤	Power LED	1. Green indicates the display is turned on. 2. Amber indicates the display is in power-save mode.
⑥ ⏻	Power Switch	Switches On/Off the power to the LCD Display.

How to Use the OSD Menu

1. Press the “MENU” button to pop up the “on-screen menu” and to select among the four Main Menu.
2. Choose the adjustment items by pressing the “SELECT” button.
3. Adjust the value of the adjustment items by pressing the “◀” or “▶” button.
4. After a period of inactivity.*(base on a user setting) the OSD menu will automatically disappear.

On-Screen Display Menus

Main Menu	Menu Level 1	Menu Level 2	Description	ADJ Scale	
Icon 1	DISPLAY	Brightness	To adjust the brightness.	0 ~ 100	
		Contrast	To adjust the contrast of the image.	0 ~ 100	
		Hue	Adjusts the red-green color balance of the image.	-45+45	
		Saturation	Adjusts the image from black and white to full saturated colour.	0 ~ 100	
		Flesh-tone	off/Week/Soft/Strong		
		Black Level *	To adjust black level of the image	0 ~ 100	
	IMAGE	Scaling	1:1/Full/Aspect		
		Auto Adjust *	Select		
		Phase *	Synchronizes the signal timing of the display to that of the graphics card. When you experience an unstable to flickering image,use this function to make an adjustment.	0 ~ 255	
		Clock *	Changes the displays data frequency to match the frequency of your graphics card. When you experience a vertical flickering bar,use this function to make an adjustment.	0 ~ 255	
		Sharpness **	Adjusts the sharpness of the image.		
	POSITION	Zoom	In/Out		
		Zoom Horizontal Pan	Left/Right		
		Zoom Vertical Pan	Up/Down		
		Vertical *	Changes the vertical position of the image	0 ~ 255	
		Horizontal *	Changes the horizontal position of the image	0 ~ 255	
	COLOR	sRGB	On/Off		
		Gamma Correction	Off/1.8/2.2		
		Color Temperature	User / 6500k / 9300k		
		Red	Adjusts Red colour intensity	0 ~ 255	
Green		Adjusts Green colour intensity	0 ~ 255		
PIP CONTROL	Blue	Adjusts Blue colour intensity	0 ~ 255		
	PIP Mode	Allows you to select PIP, PAP model, or Off.			
	PIP Size	Allows you to adjust size of display (Small/Med./Large)			
	Vertical	Changes the vertical position of the PIP window	0 ~ 100		
	Horizontal	Changes the horizontal position of the PIP window	0 ~ 100		
Icon 2			Allows you to choose the signal (VGA/DVT/Composite/S-Video)		
Icon 3		Vertical	Adjusts the vertical position of the OSD	0 ~ 255	
		Horizontal	Adjusts the horizontal position of the OSD	0 ~ 255	
		Transparency	Changes the opaqueness of the OSD background.	0 ~ 10	
		Time out	Adjusts the amount of time the OSD menu remains to display	5 ~ 60	
		OSD Zoom	On/Off		
Icon 4			Allow you to choose the OSD menu language (English/Chinese/Japanese/French/German/Spanish/Italian/Korean)		
Icon 5		Factory Reset	To return the display parameters of the current mode to their factory default settings.		
Icon 6		Volume	To adjust the sound volume.	0 ~ 50	
		Mute	Allows you to disable the sound immediately.		

Note : The symbol (*) means the VGA signal only
The symbol (**) means the VGA/Composite/S-Video signal

Appendix

Troubleshooting

If you are experiencing trouble with the LCD display, refer to the following trouble shooting. If the problem persists, please contact your local dealer or our service center.

Problem: No image appears on screen.

- ▶ Check that all the I/O and power connectors are correctly and well connected as described in the “Installation” section.
- ▶ Make sure the pins of the connectors are not crooked or broken.

Problem: Partial image or incorrectly displayed image.

- ▶ Check to see if the resolution of your computer is higher than that of the LCD Display.
- ▶ Reconfigure the resolution of your computer to make it less than or equal to 1600 x 1200.

Problem: Image has vertical flickering line bars.

- ▶ Use “Frequency” to make an adjustment.
- ▶ Check and reconfigure the display mode of the vertical refresh rate of your graphics card to make it compatible with the LCD Display.

Problem: Image is unstable and flickering

- ▶ Use “Tracking” to make an adjustment.

Problem: Image is scrolling

- ▶ Check and make sure the VGA signal cable (or adapter) is well connected.
- ▶ Check and reconfigure the display mode of the vertical refresh rate of your graphics card to make it compatible with the LCD Display.

Problem: Vague image (characters and graphics)

- ▶ Use “Frequency” to make an adjustment. If this problem still exists, use “Tracking” to make an adjustment.

Warning Signal

Sometimes you may see warning messages for this LCD Display. This means that the LCD Display cannot correctly receive the signal from the computer graphics card.

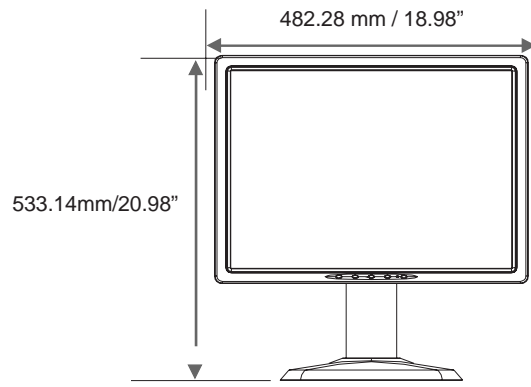
▶ No Signal

This message means that the LCD Display has been powered on but it cannot receive any signal from the computer graphics card. Check all the power switches, power cables, and VGA signal cable.

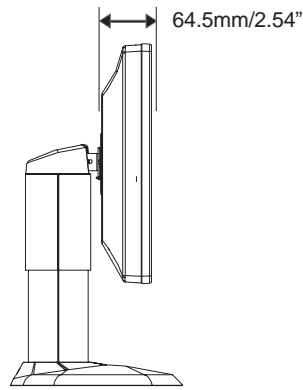
▶ Out Of Range

This message means that the signal of the computer graphics card is not compatible with the LCD Display. When the signal is not included in the compatibility mode we have listed in the Appendices of this manual, the LCD Display will show this message.

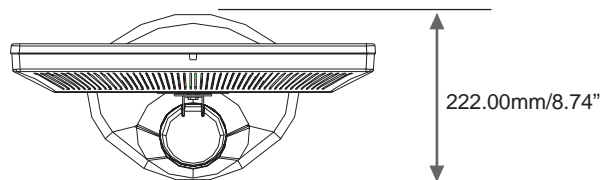
Product Dimensions



Front View



Side View



Top View

Compatibility Modes

Mode	Resolution	Frequency (Hz)	H. Frequency (kHz)
IBM VGA	640 x 350	70	31.5
IBM VGA	640 x 480	60	31.5
IBM VGA	720 x 400	70	31.5
VESA VGA	640 x 480	72	37.9
VESA VGA	640 x 480	75	37.5
VESA VGA	640 x 480	85	43.3
VESA SVGA	800 x 600	56	35.1
VESA SVGA	800 x 600	60	37.9
VESA SVGA	800 x 600	72	48.1
VESA SVGA	800 x 600	75	46.9
VESA SVGA	800 x 600	85	53.7
VESA XGA	1024 x 768	60	48.4
VESA XGA	1024 x 768	70	56.5
VESA XGA	1024 x 768	75	60.0
VESA XGA	1024 x 768	85	68.7
VESA	1152 x 864	75	67.5
VESA SXGA	1280 x 1024	60	64.0
VESA SXGA	1280 x 1024	75	80
VESA SXGA	1280 x 1024	85	91.1
VESA UXGA	1600 x 1200	60	75.0
Apple Mac	640 x 480	67	34.9
Apple Mac	640 x 480	67	35.0
Apple Mac	832 x 624	75	49.7
Apple Mac	1024 x 768	75	60.2
SunMicro	1152 x 900	66	61.8
SunMicro	1152 x 900	76	71.1

Pivot Software Installation

Follows are the procedures for pivot software set up.

1. Insert the Pivot Pro CD-ROM into the CD-ROM driver.
2. Run the Start_Pivot program and select the pivot option to install portrait displays' software on your computer.
3. Restart your computer. To Change orientation, right click anywhere on the desktop and select Rotate 0, 90, 180, or 270 from the menu. Now hold the edges of your display and rotate it.
4. Start exploring the benefits of your new portrait monitor. Web pages, E-mail, reports and letters are best viewed in portrait orientation. They can be viewed and edited without the need to scroll the page.

Planar Systems, Inc

1195 NW Compton Drive

Beaverton, OR 97006-1992

www.planar.com

© 2006 Planar Systems, Inc.

Planar is a registered trademark of Planar Systems, Inc. Other brands and names are the property of their respective owners. Technical information in this document is subject to change without notice.

P/N:36.61604G002 Rev.D

020-0454-00A