



PL1500  
LCD Monitor

USER'S GUIDE

[www.planar.com](http://www.planar.com)

## **Planar Systems, Inc**

1195 NW Compton Drive  
Beaverton, OR 97006-1992  
[www.planar.com](http://www.planar.com)

### **Customer Service**

Planar provides the following technical support services:

#### ***Internet Support***

For support available 24/7 visit Planar's Online Technical Support at [www.planar.com/support](http://www.planar.com/support). Our Online Technical Support is where you'll find solutions to many common problems, download documentation, view answers to frequently asked questions (FAQs) and get troubleshooting advice, or email Planar your support question.

#### ***Talk to a Customer Service Representative***

To contact Planar's Customer First(TM) Technical Support Service call 1.866.PLANAR.1 (866.752.6271). This service is available 5am - 5pm Pacific Time, 8am - 8pm Eastern Time, Monday through Friday.

#### ***Contact Us***

24x7 Online Technical Support: <http://www.planar.com/support>  
Email: [PlanarSupport@planar.com](mailto:PlanarSupport@planar.com)  
Tel: 1-866-PLANAR1 (866) 752-6271  
Hours: M-F, 5am - 5pm Pacific Time, 8am - 8pm Eastern

The information contained in this document is subject to change without notice. This document contains proprietary information that is protected by copyright. All rights are reserved. No part of this document may be reproduced, translated to another language or stored in a retrieval system, or transmitted by any means, electronic, mechanical, photocopying, recording, or otherwise, without prior written permission. Windows is a registered trademark of Microsoft Inc. Other brand or product names are trademarks of their respective holders.

# **TABLE OF CONTENTS**

## **For Your Safety**

*For Your Safety* -----3

## **General Notes**

*Special notes on LCD monitors* -----5

## **Before You Operate The Monitor**

*Features* ----- 6

*Checking the contents of the package* ----- 6

## **Installation Instructions**

*Installing the base*-----7

*Power source* -----7

*Cable connection* -----8

*Adjusting the viewing angle* -----9

## **Operating Instructions**

*General Instructions* -----10

*How to adjust a setting* -----13

*Adjusting the picture* -----14

## **Technical Support (FAQ)**

*Technical Support (FAQ)* -----17

*Error message & possible solution*-----18

## **Appendix**

*Specifications* -----19

*Preset display modes* -----21

*Connector pin assignment* -----22

# **For Your Safety**

Before operating the monitor, please read this manual thoroughly. This manual should be retained for future reference.

## **FCC Class B Radio Frequency Interference Statement WARNING: (FOR FCC CERTIFIED MODELS)**

**NOTE:** This equipment has been tested and found to comply with the limits for a Class B digital device, pursuant to Part 15 of the FCC Rules. These limits are designed to provide reasonable protection against harmful interference in a residential installation. This equipment generates, uses and can radiate radio frequency energy, and if not installed and used in accordance with the instructions, may cause harmful interference to radio communications. However, there is no guarantee that interference will not occur in a particular installation. If this equipment does cause harmful interference to radio or television reception, which can be determined by turning the equipment off and on, the user is encouraged to try to correct the interference by one or more of the following measures:

1. Reorient or relocate the receiving antenna.
2. Increase the separation between the equipment and receiver.
3. Connect the equipment into an outlet on a circuit different from that to which the receiver is connected.
4. Consult the dealer or an experienced radio/TV technician for help.


## **NOTICE:**

1. The changes or modifications not expressly approved by the party responsible for compliance could void the user's authority to operate the equipment.
2. Shielded interface cables and AC power cord, if any, must be used in order to comply with the emission limits.
3. The manufacturer is not responsible for any radio or TV interference caused by unauthorized modification to this equipment. It is the responsibilities of the user to correct such interference.

## **WARNING:**

To prevent fire or shock hazard, do not expose the monitor to rain or moisture. Dangerously high voltages are present inside the monitor. Do not open the cabinet. Refer servicing to qualified personnel only.

Important Recycle Instruction:

 LCD Lamp(s) inside this product contain mercury. This product may contain other electronic waste that can be hazardous if not disposed of properly. Recycle or dispose in accordance with local, state, or federal Laws. For more information, contact the Electronic Industries Alliance at [WWW.EIAE.ORG](http://WWW.EIAE.ORG). For lamp specific disposal information check [WWW.LAMPRECYCLE.ORG](http://WWW.LAMPRECYCLE.ORG).

## PRECAUTIONS

- Do not use the monitor near water, e.g. near a bathtub, washbowl, kitchen sink, laundry tub, swimming pool or in a wet basement.
- Do not place the monitor on an unstable cart, stand, or table. If the monitor falls, it can injure a person and cause serious damage to the appliance. Use only a cart or stand recommended by the manufacturer or sold with the monitor. If you mount the monitor on a wall or shelf, use a mounting kit approved by the manufacturer and follow the kit instructions.
- Slots and openings in the back and bottom of the cabinet are provided for ventilation. To ensure reliable operation of the monitor and to protect it from overheating, be sure these openings are not blocked or covered. Do not place the monitor on a bed, sofa, rug, or similar surface. Do not place the monitor near or over a radiator or heat register. Do not place the monitor in a bookcase or cabinet unless proper ventilation is provided.
- The monitor should be operated only from the type of power source indicated on the label. If you are not sure of the type of power supplied to your home, consult your dealer or local power company.
- Unplug the unit during a lightening storm or when it will not be used for long period of time. This will protect the monitor from damage due to power surges.
- Do not overload power strips and extension cords. Overloading can result in fire or electric shock.
- Never push any object into the slot on the monitor cabinet. It could short circuit parts causing a fire or electric shock. Never spill liquids on the monitor.
- Do not attempt to service the monitor by yourself; opening or removing covers can expose you to dangerous voltages and other hazards. Please refer all servicing to qualified service personnel.
- To ensure satisfactory operation, use the monitor only with UL listed computers which have appropriate configured receptacles marked between 100 - 240V AC, Min. 3.5A.
- The wall socket shall be installed near the equipment and shall be easily accessible.

# **GENERAL NOTES**

## **SPECIAL NOTES ON LCD MONITORS**

The following symptoms are normal with LCD monitor and do not indicate a problem.

### **NOTES**

- Due to the nature of the fluorescent light, the screen may flicker during initial use. Turn off the Power Switch and then turn it on again to make sure the flicker disappears.
- You may find slightly uneven brightness on the screen depending on the desktop pattern you use.
- The LCD screen has effective pixels of 99.99% or more. It may include blemishes of 0.01% or less such as a missing pixel or a pixel lit all of the time.
- Due to the nature of the LCD screen, an afterimage of the previous screen may remain after switching the image, when the same image is displayed for hours. In this case, the screen is recovered slowly by changing the image or turning off the Power Switch for hours.
- When the screen becomes black or flashing, or cannot illuminate any more, contact your dealer or service center to replace parts. Don't repair the screen by yourself!


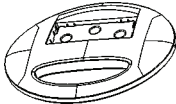




# **BEFORE YOU OPERATE THE MONITOR**

## **FEATURES**

- 38.1cm(15") TFT Color LCD Monitor
- Crisp, Clear Display for Windows
- Recommended Resolutions: 1024 x 768 @60Hz
- EPA ENERGY STAR®
- Ergonomic Design
- Space Saving, Compact Case Design

## **CHECKING THE CONTENTS OF THE PACKAGE**

The product package should include the following items:

		
Monitor	Base	Landing Strip
		
User Manual	Power Cord	15-pin D-Sub Cable

## ***Register Your Planar Products Today***

Thank you for choosing Planar. To assure you receive all the benefits of your Planar product and services, register your Planar product today. Visit our website to register your product at [http://www.planar.com/support/product\\_registration.html](http://www.planar.com/support/product_registration.html)

## ***Cables, Replacement Lamps and Accessories***

To find cables, replacement lamps and accessories for your Planar projector, LCD monitor, touchscreen or other Planar products visit our online store at [www.PlanarOnline.com](http://www.PlanarOnline.com) or find other stores who carry Planar products at <http://www.planar.com/howtobuy>



# INSTALLATION INSTRUCTIONS

## INSTALLING AND REMOVING THE BASE:

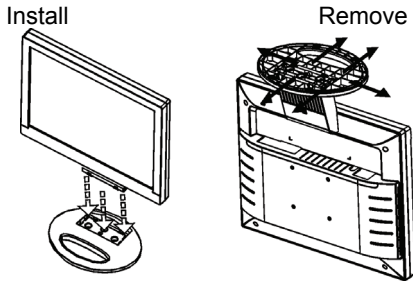


Figure 1 Installing and Removing the Base

## Power Source:

1. Make sure that the power cord is the correct type required in your area.
2. This LCD monitor has an Internal universal power supply that allows operation in either 100/120V AC or 220/240V AC voltage area (No user adjustment is required.)
3. Connect the AC-power cord one end to your LCD monitor's AC-input socket , the other end to wall-outlet .

# Installation Instructions

## CABLE CONNECTIONS

**Connecting the Signal Cable:** Plug the Signal Cable one end to LCD monitor's VGA input socket , the other end to the computer's VGA port and tighten the two screws on the cable connector.

**Connecting the Power Cord:** Plug the AC-power cord one end to LCD monitor's AC input socket , the other end to Wall outlet.

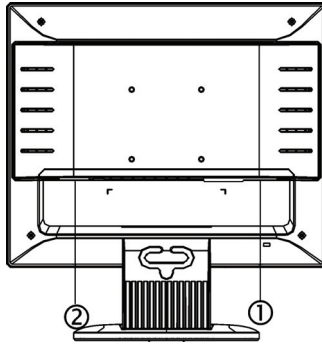


Figure 2 Connecting Cables

1.	VGA Input	2.	AC Input
----	-----------	----	----------

# Installation Instructions

## ADJUSTING THE VIEWING ANGLE

- For optimal viewing it is recommended to look at the full face of the monitor, then adjust the monitor's angle to your own preference.
- Hold the stand so you do not topple the monitor when you change the monitor's angle.
- You are able to adjust the monitor's angle from  $-5^{\circ}$  to  $20^{\circ}$ .

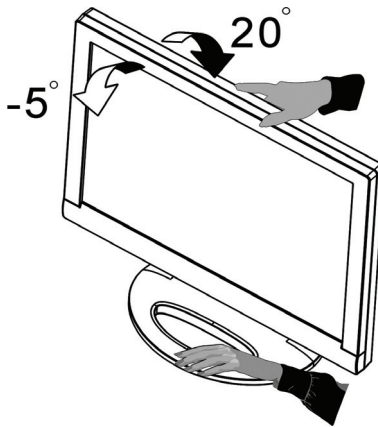


Figure 3

## NOTES

- Do not touch the LCD screen when you change the angle. It may cause damage or break the LCD screen.
- Careful attention is required not to catch your fingers or hands when you change the angle.

# **OPERATING INSTRUCTIONS**

## **GENERAL INSTRUCTIONS**

Press the power button to turn the monitor on or off. The other control buttons are located at front panel of the monitor (See Figure 4). By changing these settings, the picture can be adjusted to your personal preferences.

- The power cord should be connected.
- Connect the Signal cable from the monitor to the VGA card.
- Press the power button to turn on the monitor position. The power indicator will light up.

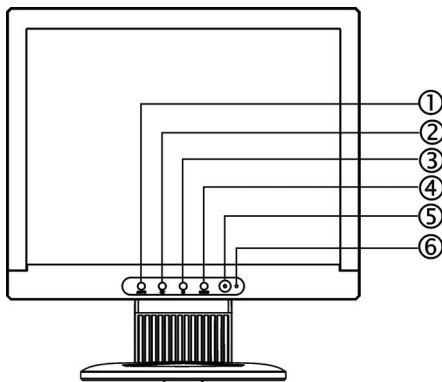


Figure 4 External Control Button

## **EXTERNAL CONTROLS**

1.	Auto Config / Exit
2.	Brightness
3.	Contrast
4.	MENU / ENTER
5.	Power Button
6.	LED

## **OPERATING INSTRUCTIONS(cont.)**

- **Power Button /Power Indicator:**  
Press this button to switch ON/OFF of monitor's power.  
Green — Power On mode.  
Amber — Off mode.
- **MENU / ENTER :**  
Active OSD menu or function adjust confirm or Exit OSD menu when in volume OSD status.
- **Contrast :**  
Adjust contrast or adjust function.
- **Brightness :**  
Adjust brightness or adjust function.
- **Auto Adjust button / Exit:**
  1. When OSD menu is in active status, this button will act as EXIT-KEY (EXIT OSD menu).
  2. When OSD menu is in off status, press this button to activate the Auto Adjustment function.  
The Auto Adjustment function is used to optimized the HPos, VPos, Clock and Focus.

# **OPERATING INSTRUCTIONS(cont.)**

## **OSD Lock Function:**

**Option 1:** OSD lock - all 4 buttons are locked except the "POWER" button. Press and hold the "MENU" and ">" buttons for 3 seconds to lock the buttons. Repeat this step to unlock.

**Option 2:** OSD & Power button lock - all 5 buttons including the "POWER" button are locked. Press and hold the "MENU" and "<" buttons for 3 seconds to lock all 5 buttons. Repeat this step to unlock.

## **NOTES**

- Do not install the monitor in a location near heat sources such as radiators or air ducts, or in a place subject to direct sunlight, or excessive dust or mechanical vibration or shock.
- Save the original shipping box and packing materials, as they will come in handy if you ever have to ship your monitor.
- For maximum protection, repackage your monitor as it was originally packed at the factory.
- To maintain the cleanness of your LCD display, wipe it periodically with clean and soft cloth. The screen may be damaged by any liquid splash.
- To keep the monitor looking new, periodically clean it with a soft cloth. Stubborn stains may be removed with a cloth lightly dampened with a mild detergent solution. Never use strong solvents such as thinner, benzene, or abrasive cleaners, since these will damage the cabinet. As a safety precaution, always unplug the monitor before cleaning it.

# OPERATING INSTRUCTIONS (cont.)

## HOW TO ADJUST A SETTING

1. Press the MENU-button to activate the OSD window.
2. Press ◀ or ▶ to navigate through the functions. Once the desired function is highlighted, press the MENU-button to activate it. If the function selected has a sub-menu, press ◀ or ▶ again to navigate through the sub-menu functions. Once the desired function is highlighted, press MENU-button to activate it.
3. Press ◀ or ▶ to change the settings of the selected function.
4. To exit and save, select the exit function. If you want to adjust any other function, repeat steps 2-3.

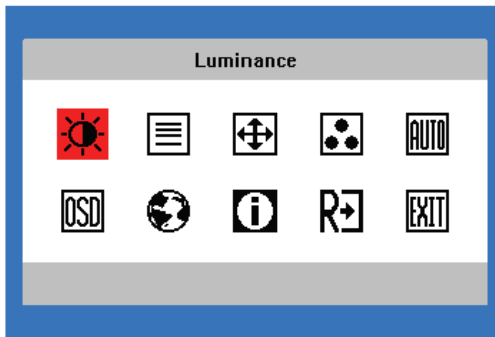













Figure 5 The OSD Message

# OPERATING INSTRUCTIONS (cont.)









## ADJUSTING THE PICTURE

The descriptions for function control LEDs

Main Menu Item	Main Menu Icon	Sub Menu Item	Sub Menu Icon	Description
Luminance		Contrast		Contrast from Digital-register.
		Brightness		Backlight Adjustment
Image Setup		Focus		Adjust Picture Phase to reduce Horizontal-Line noise
		Clock		Adjust picture Clock to reduce Vertical-Line noise.
Image Position		H. Position		Adjust the horizontal position of the picture.
		V. Position		Adjust the vertical position of the picture.
Color Temp.		C1	N/A	Recall C1 from EEPROM.
		C2	N/A	Recall C2 from EEPROM.
		sRGB	N/A	Use sRGB Mode.
		User / Red	<b>R</b>	Red Gain from Digital-register.
		User / Green	<b>G</b>	Green Gain Digital-register.
		User / Blue	<b>B</b>	Blue Gain from Digital-register.
Auto Config		Yes	N/A	Auto Adjust the H/V Position, Focus and Clock of picture.
		No	N/A	Do not execute Auto Config, return to main menu.



## OPERATING INSTRUCTIONS (cont.)

Main Menu Item	Main Menu Icon	Sub Menu Item	Sub Menu Icon	Description
OSD Setup		H. Position		Adjust the horizontal position of the OSD.
		V. Position		Adjust the vertical position of the OSD.
		OSD Timeout		Adjust the OSD timeout.
Language		Language	N/A	Set OSD language
Information		Information	N/A	Show the resolution, H/V frequency and input port of current input timing.
Reset		Yes	N/A	Clear each old status of Auto-configuration and set the color temperature to Cool.
		No	N/A	Do not execute reset, return to main menu.
Exit		N/A	N/A	Exit OSD

# **OPERATING INSTRUCTIONS (cont.)**

## **PLUG AND PLAY**

### **Plug & Play DDC2B Feature**

This monitor is equipped with VESA DDC2B capabilities according to the VESA DDC STANDARD. It allows the monitor to inform the host system of its identity and, depending on the level of DDC used, communicate additional information about its display capabilities.

The DDC2B is a bidirectional data channel based on the I<sup>2</sup>C protocol. The host can request EDID information over the DDC2B channel.

**THIS MONITOR WILL APPEAR TO BE NON-FUNCTIONAL IF THERE IS NO VIDEO INPUT SIGNAL. IN ORDER FOR THIS MONITOR TO OPERATE PROPERLY, THERE MUST BE A VIDEO INPUT SIGNAL.**

This monitor meets the Green monitor standards as set by the Video Electronics Standards Association (VESA) and/or the United States Environmental Protection Agency (EPA) and The Swedish Confederation Employees (NUTEK). This feature is designed to conserve electrical energy by reducing power consumption when there is no video-input signal present. When there is no video input signal this monitor, following a time-out period, will automatically switch to an OFF mode. This reduces the monitor's internal power supply consumption. After the video input signal is restored, full power is restored and the display is automatically redrawn. The appearance is similar to a "Screen Saver" feature except the display is completely off. The display is restored by pressing a key on the keyboard, or clicking the mouse.

## **TECHNICAL SUPPORT (FAQ)**

Problem & Question	Possible Solution
Power LED is not on	*Check if the Power Switch is in the ON position *Power Cord should be connected
No Plug & Play	*Check if the PC system is Plug & Play compatible *Check if the Video Card is Plug & Play compatible *Check if the D-15 plug pin of Video Cable is bent.
Picture is fuzzy	*Adjust the Contrast and Brightness Controls.
Picture bounces or a wave pattern is present in the picture	*Move electrical devices that may cause electrical interference.
The power LED is ON (Amber) but there's no video or no picture.	*Computer Power Switch should be in the ON position. *Computer Video Card should be snugly seated in its slot. *Make sure monitor's video cable is properly connected to the computer. *Inspect monitor's video cable and make sure none of the pins are bent. *Make sure computer is operational by hitting the CAPS LOCK key on the keyboard while observing the CAPS LOCK LED. The LED should either turn ON or OFF after hitting the CAPS LOCK key.
Missing one of the primary colors (RED, GREEN, or BLUE)	*Inspect the monitor's video cable and make sure that none of the pins are bent.
Screen image is not centered or sized properly.	*Adjust pixel frequency (CLOCK) and FOCUS or press hot-key (AUTO).
Picture has color defects (white does not look white)	*Adjust RGB color or select color temperature.
Horizontal or vertical disturbances on the screen	*Use win 95/98 shut-down mode Adjust CLOCK and FOCUS or perform hot- key (AUTO-key).

## **TECHNICAL SUPPORT (FAQ) (cont.)**

CLOCK (pixel frequency) controls the number of pixels scanned by one horizontal sweep. If the frequency is not correct, the screen shows vertical stripes and the picture has not correct width.

FOCUS adjusts the phase of the pixel clock signal. With a wrong phase adjustment the picture has horizontal disturbances in light picture.

For FOCUS and CLOCK adjustment use “dot-pattern” or win 95/98 shut-down mode pattern.

### **ERROR MESSAGE & POSSIBLE SOLUTION**

#### **CABLE NOT CONNECTED :**

1. Check that the signal-cable is properly connected , If the connector is loose, tighten the connector's screws.
2. Check the signal-cable's connection pins for damage.

#### **INPUT NOT SUPPORT :**

Your computer has been set to unsuitable display mode ,set the computer to display mode given in the following table.

#### **UNSUPPORTED MODE TRY DIFFERENT VIDEO CARD SETTING:**

Your computer resolution is out of VESA-SPEC

# **APPENDIX**

## **SPECIFICATIONS**

LCD Panel	Driving system	TFT Color LCD
	Size	38.1cm(15.0")
	Pixel pitch	0.297mm( H )x 0.297mm( V )
Input	Video	R,G,B Analog Interface
	Separate Sync.	H/V TTL
	H-Frequency	30kHz – 60kHz
	V-Frequency	55Hz-75Hz
Display Colors		16.7M Colors
Dot Clock		65MHz(typ)
Max. Resolution		1024 x 768
Plug & Play		VESA DDC2B™
EPA ENERGY STAR®	ON Mode	≤25W (For 2 CCFL) ≤30W (For 4 CCFL)
	OFF Mode	≤2W
Input Connector		D-Sub 15pin
Input Video Signal		Analog:0.7Vp-p(standard), 75 OHM, Positive
Maximum Screen Size		Horizontal : 304.1mm Vertical : 228.1mm
Power Source		100~240VAC,50~60Hz
Environmental Considerations		Operating Temp: 5° to 35°C Storage Temp.: -20° to 60°C Operating Humidity: 10% to 85%
Weight (N. W.)		2.9kg
Dimensions		362 (W) x 357.5 (H) x 144 (D)mm

## **APPENDIX (cont.)**

External Controls:	Switch	<ul style="list-style-type: none"> <li>• Auto Adjust Key / Exit</li> <li>• Contrast</li> <li>• Brightness</li> <li>• Power Button</li> <li>• MENU / ENTER</li> </ul>
	Functions	<ul style="list-style-type: none"> <li>• Contrast</li> <li>• Brightness</li> <li>• Focus</li> <li>• Clock</li> <li>• H.Position</li> <li>• V.Position</li> <li>• OSD location &amp; Time</li> <li>• Language</li> <li>• C1</li> <li>• C2</li> <li>• sRGB</li> <li>• User Color temperature</li> <li>• Information</li> <li>• Reset</li> <li>• Exit</li> </ul>
Regulatory Compliance		UL,cUL,FCC-B,CE

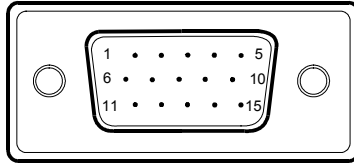
## **APPENDIX (cont.)**

### **Preset Display Modes**

STANDARD	RESOLUTION	HORIZONTAL FREQUENCY (kHz)	VERTICAL FREQUENCY (Hz)
VGA	720 x 400	31.47	70.0
	640 x 480	31.47	60.0
	640 x 480	35.00	66.6
	640 x 480	37.50	75.0
	640 x 480	37.861	72.8
SVGA	800 x 600	35.156	56.3
	800 x 600	37.879	60.0
	800 x 600	48.077	72.2
	800 x 600	46.875	75.0
	832 x 624	49.725	75.0
	1024 x 768	48.363	60.0
XGA	1024 x 768	56.476	70.0
	1024 x 768	60.24	74.9
	1024 x 768	60.02	75.0

# APPENDIX (cont.)

## CONNECTOR PIN ASSIGNMENT



15 - Pin Color Display Signal Cable

PIN NO.	DESCRIPTION	PIN NO.	DESCRIPTION
1.	Red	9.	+5V
2.	Green	10.	VGA-CON
3.	Blue	11.	RDX
4.	TDX	12.	DDC-Serial Data
5.	Ground	13.	H-Sync
6.	R-Ground	14.	V-Sync
7.	G-Ground	15.	DDC-Serial Clock
8.	B-Ground		



## **Planar Systems, Inc**

1195 NW Compton Drive  
Beaverton, OR 97006-1992  
[www.planar.com](http://www.planar.com)

© 2006 Planar Systems, Inc.

Planar is a registered trademark of Planar Systems, Inc. Other brands and names are the property of their respective owners. Technical information in this document is subject to change without notice.



Q41G5000935 1B