



LA1550TS
USER MANUAL

www.planar.com

The information contained in this document is subject to change without notice. This document contains proprietary information that is protected by copyright. All rights are reserved. No part of this document may be reproduced, translated to another language or stored in a retrieval system, or transmitted by any means, electronic, mechanical, photocopying, recording, or otherwise, without prior written permission. Windows is registered trademark of Microsoft, Inc.

Other brand or product names are trademarks of their respective holders.

 **Important Recycle Instruction:**

Lamp(s) inside this product contains mercury. This product may contain other electronic waste that can be hazardous if not disposed of properly. Recycle or dispose in accordance with local, state or federal laws. For more information, contact the Electronic Industries Alliance at www.eiae.org. For lamp specific disposal information, check www.lamprecycle.org.

Table of Contents

I.	Usage Notice	4
	Precautions	6
II.	Package Overview	7
III.	Installation	8
	Product Overview	8
	VESA Mount your Monitor	9
	Connect the Display	10
	Warning-Explosion Hazard	10
	Special installation Instructions	11
IV.	User Controls	12
	Front Panel Controls	12
	How to use the OSD	13
	On-Screen Display Menus	14
V.	Appendix	15
	Troubleshooting	15
	Warning Signal	146
	Product Dimensions	147
	Compatibility Modes	16
	Manufacturer's Instructions	18
	Compliance Information	20

I. Usage Notice



Warning – Please do not open or disassemble the product as this may cause electric shock.



This apparatus is suitable for use in Class I, Division 2 group A, B, C, D or unclassified locations.



WARNING- EXPLOSION HAZARD – DO NOT DISCONNECT EQUIPMENT UNLESS POWER HAS BEEN SWITCHED OFF OR THE AREA IS KNOWN TO BE NONHAZARDOUS.



AVERTISSEMENT – RISQUE D'EXPLOSION – AVANT DE DECONNECTER L'EQUIPEMENT, COUPER LE COURANT OU S'ASSURER QUE L'EMPLACEMENT EST DESIGNÉ NON DANGEREUX.



WARNING- SUBSTITUTION OF COMPONENTS MAY IMPAIR SUITABILITY FOR CLASS1, DIVISION 2.



AVERTISSEMENT – RISQUE D'EXPLOSION – LA SUBSTITUTION DE COMPOSANTS PEUT RENDRE CE MATERIEL INACCEPTABLE POUR LES EMBLEMENTS DE CLASSE I, DIVISION 2.

Precautions

Follow all warnings, precautions and maintenance as recommended in this user's manual to maximize the life of your unit.

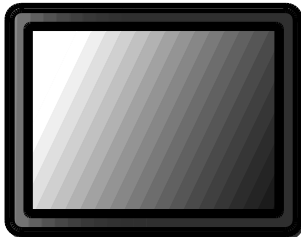
Do:

- Disconnect the power plug before cleaning
- Touch screen surfaces may be cleaned using a soft clean cloth moistened with mild window glass commercial cleaners or 50/50 mixture of water and isopropyl alcohol.
- Use a soft cloth moistened with mild detergent to clean the display housing.
- Use only high quality and safety approved AC/DC adapter.
- Disconnect the power plug from AC outlet if the product is not going to be used for an extended period of time.

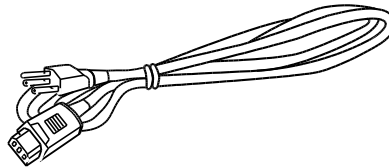
Don't:

- Do not touch the LCD display screen surface with sharp or hard objects.
- Do not use abrasive cleaners, waxes or solvents for your cleaning.
- Do not operate the product under the following conditions:
 - Extremely hot, cold or humid environment
 - Areas susceptible to excessive dust and dirt
 - Near any appliance generating a strong magnetic field
 - In direct sunlight

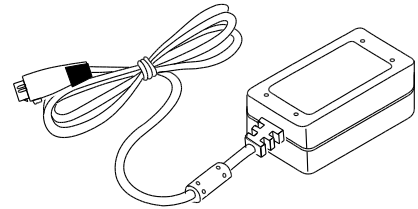
II. Package Overview



LCD Display



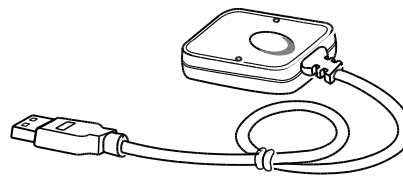
Power Cord



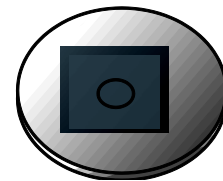
DC Power Supply



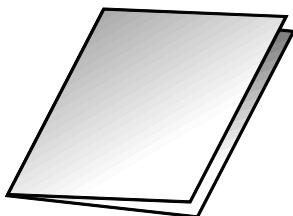
**Wall to monitor
Cable**



USB Transmitter



Touch Driver CD



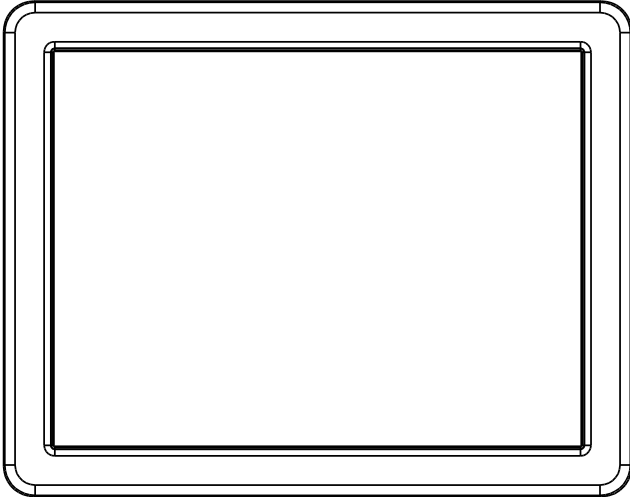
Manual



**VESA Mount Screws
M4*8**

III. Installation

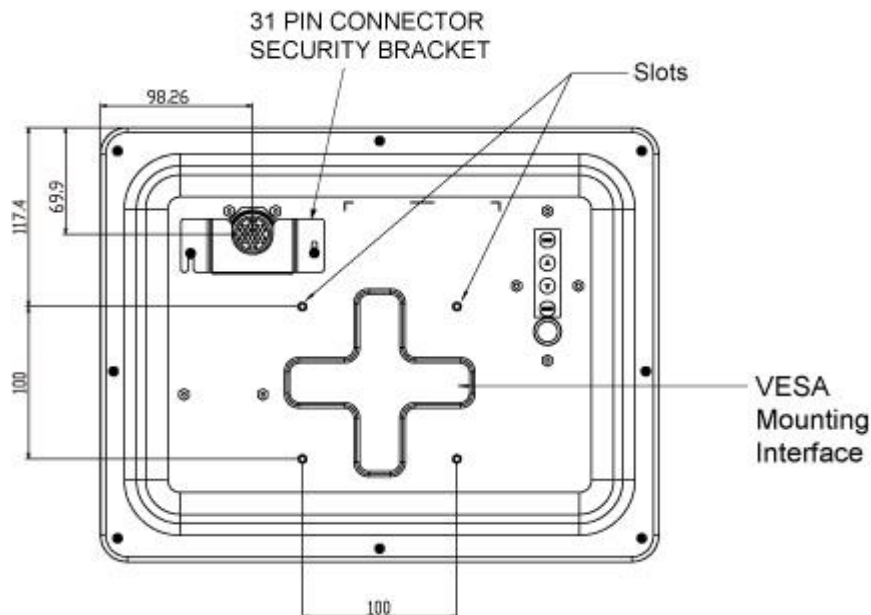
Product Overview • Front View



VESA Mount your Monitor

This monitor conforms to the VESA Flat Panel Mounting Physical Mounting Interface Standard which defines a physical mounting interface for flat panel monitors, and corresponding with the standards of flat panel monitor mounting devices, such as wall and table arms. The VESA mounting interface is located on the back of your monitor.

To mount the monitor on a swing arm or other mounting fixture, follow the instructions included with the mounting fixture to be used. Please note to mount your monitor to the devices (either mounting fixture or swing arm) what conforms to the UL listed.



Warning!

Please select the proper screws! The distance between the back cover surface and the bottom of the screw hole is 8mm. Please use four M4 screws diameter with the maximum length of 8mm to mount your monitor.

Please note the mounting stand shall be able to sustain at least 7Kg weight.

Connecting the Display

To setup this display, please refer to the following figure and procedures.

1. Be sure all equipments are turned off.
2. Connect the Paint Booth Cable to the connector on the back cover of the monitor.
3. Connect the Extension Cable to the Paint Booth Cable and the other end to PC.
4. Connect D-SUB connector from the extension Cable to VGA output connector on PC.
5. Connect RJ-45 connector from extension cable to USB Transmitter device and connect USB Transmitter device to PC USB port.
6. Connect power connector to 110VAC power brick..
7. Connect Power cord to power brick and the other end into AC socket.



Notice!

To ensure the LCD display works well with your computer, please configure the display mode of your graphics card to make it less than or equal to 1024 x 768 resolution and make sure the timing of the display mode is compatible with the LCD display. We have listed the compatible “Video Modes” of your LCD display in the appendix (on page 18) for your reference.



Attention

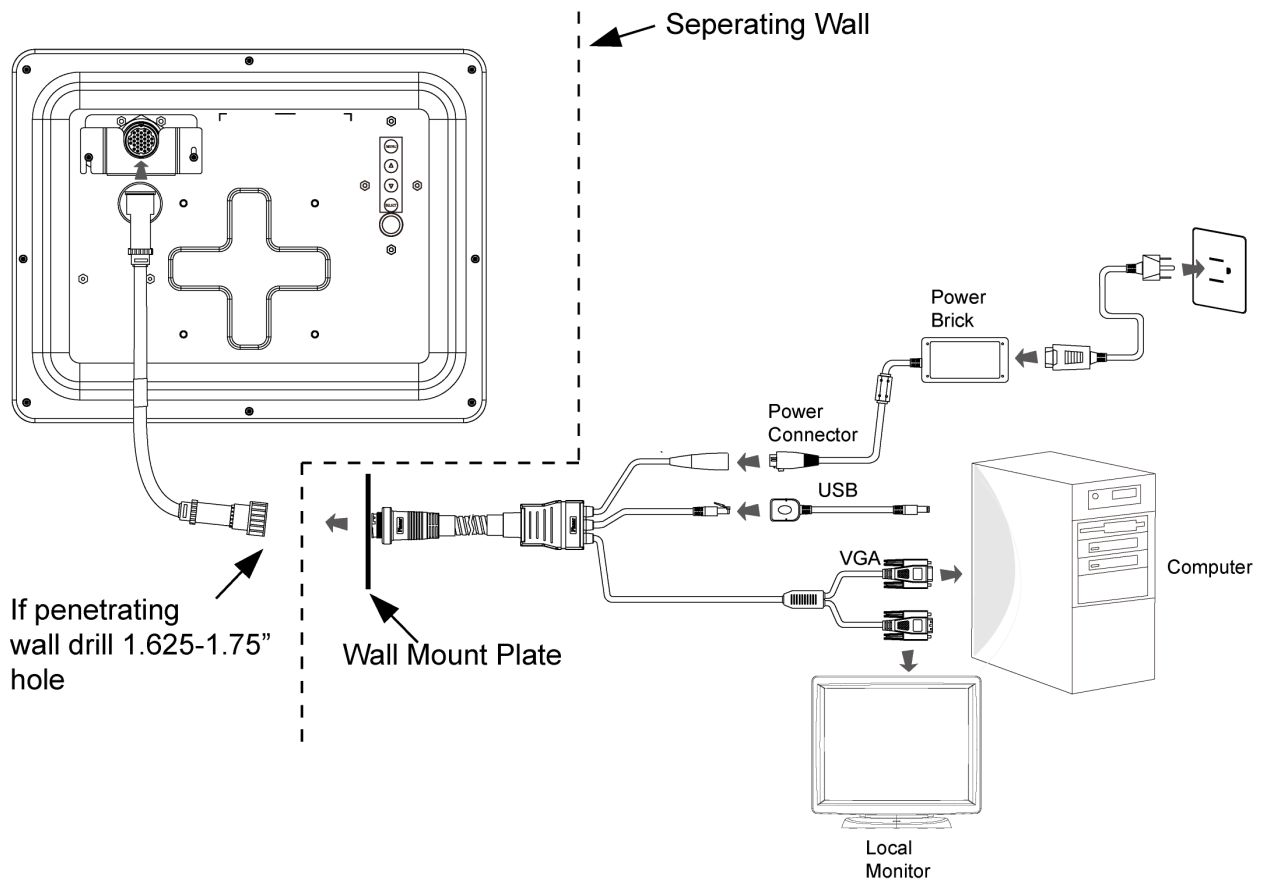
This equipment is suitable for use in Class I, Division 2, Group A, B, C, D, or Non-Hazardous Locations Only.

Warning-Explosion Hazard

Do not disconnect equipment unless power has been switched OFF or the area is known to be non-hazardous.

Special installation Instructions

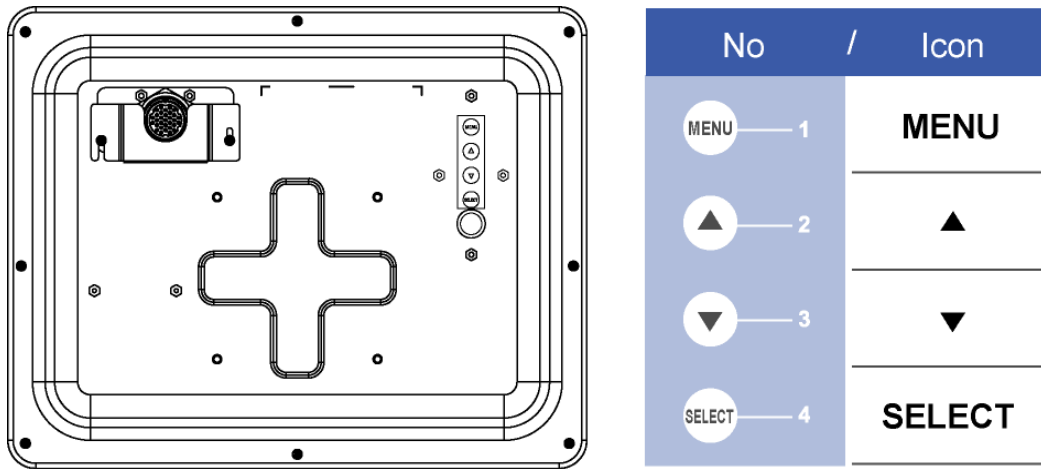
Class I DIV 2
HAZARDOUS LOCATION



Install system as per diagram above by qualified personnel in accordance with NFPA 70 (NEC) Article 500 (contact an electrician if you have any questions or concerns about the installation).

IV. User Controls

Front Panel Controls



No	Icon	Control	Function
1.	Menu	Menu button	Display/Exits the OSD menu
2.	▲	Brightness Plus Clockwise	1. Enter brightness of the OSD. 2. Increase value of the adjustment item. 3. Select item clockwise.
3.	▼	Contrast Minus Counter- Clockwise	1. Enter contrast of the OSD. 2. Decrease value of the adjustment item. 3. Select item counter-clockwise
4.	Select	Select Auto Adjust	Select: Select the adjustment items from OSD menu. Auto Adjust: Activate the “Auto Adjustment” function to obtain the optimum image.

How to Use the OSD Menu

1. Press the "MENU" button to pop up the "on-screen menu" and press "▼" or "▲" to select among the four Main Menus.
2. Choose the adjustment items by pressing the " SELECT / AUTO " button.
3. Adjust the value of the adjustment items by pressing the "▲" or "▼" button.
 - (1) The OSD menu will automatically close, if you have left it idle for a pre-set time.
 - (2) To disable the OSD / Power menu buttons, please follow the instructions below:

(Please note: the monitor has to be turned ON with a valid signal preset)

 - a. Press and hold the "Menu" and "Power" key simultaneously for 1 second.
 - b. The word "OSD Lock" / "Power Lock" will appear for 2 seconds on the monitor.

This indicates that all the front buttons, with the exception of the power button, are now disabled.
 - (3) To enable the OSD / Power menu buttons, please follow the instructions below:

(Please note: the monitor has to be turned ON with a valid signal present.)

 - a. Press and hold the "Menu" and "Power" key simultaneously for 1 second.
 - b. The word "OSD Unlock" / "Power Unlock" will appear for 2 seconds on the monitor. This indicates that all the front buttons are now enabled.

On-Screen Display Menus

Main OSD Menu:

MAIN MENU	Control	Function
Contrast	0-100	Adjusts the maximum luminance level of the monitor.
Brightness	0-100	Adjusts the backlight of the monitor.
Auto Adjust	No/Yes	The screen is moved horizontally right and left (1 pixel pitch increment.)
Left / Right	0-100	The screen is moved horizontally right and left (1 pixel pitch increment.)
Down / Up	0-100	The screen is moved vertically up and down (1 line increment.)
Horizontal Size	0-100	The ratio of dividing frequency of the dot clock is adjusted.
Fine	0-100	The phase of the dot clock is adjusted.
OSD Left / Right	0-100	Adjusts the OSD menu screen position left or right.
OSD Up / Down	0-100	Adjusts the OSD menu screen position up or down.
OSD Time Out	5-60	Adjusts the amount of the OSD menu is displayed.
OSD Language		Select the language used for the OSD menu among English, French, Japanese, Deutsch, Spanish, Italian, Traditional Chinese and Simplified Chinese.
Factory Reset	NO / YES	Restores original factory settings.
RGB		Sets the color temperature. 9300, 6500, 5500, 7500 user.

V. Appendix

Troubleshooting

If you are experiencing trouble with the LCD display, refer to the following. If the problem

persists, please contact your local dealer or our service center.

Problem: No image appears on screen.

- ▶ Check that all the I/O and power connectors are correctly and well connected described in the "Installation" section.
- ▶ Make sure the pins of the connectors are not crooked or broken.

Problem: Partial Image or incorrectly displayed image.

- ▶ Check to see if the resolution of your computer is higher than that of the LCD display.
- ▶ Reconfigure the resolution of your computer to make it less than or equal to 1024 x 768.

Problem: Image has vertical flickering line bars.

- ▶ Use "Fine" to make an adjustment.
- ▶ Check and reconfigure the display mode of the vertical refresh rate of your graphic card to make it compatible with the LCD display.

Problem: Image is unstable and flickering

- ▶ Use "Fine" to make an adjustment.

Problem: Image is scrolling

- ▶ Check and make sure the VGA signal cable (or adapter) is securely connected.
- ▶ Check and reconfigure the display mode of the vertical refresh rate of your graphics card to make it compatible with the LCD Display.

Problem: Vague image (characters and graphics)

- ▶ Use "Fine" to make an adjustment. If this problem still exists, use "Horizontal size" to make an adjustment.

Warning Signal

If you see warning messages on your LCD screen, this means that the LCD display cannot receive a clean signal from the computer graphics card.

There may be three sources for this problem. Please check the cable connections or contact your local dealer or our service center for more information.

➤ **No Signal**

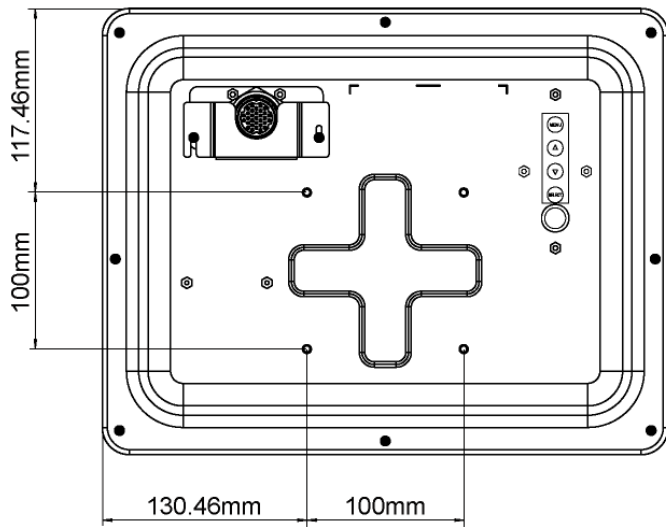
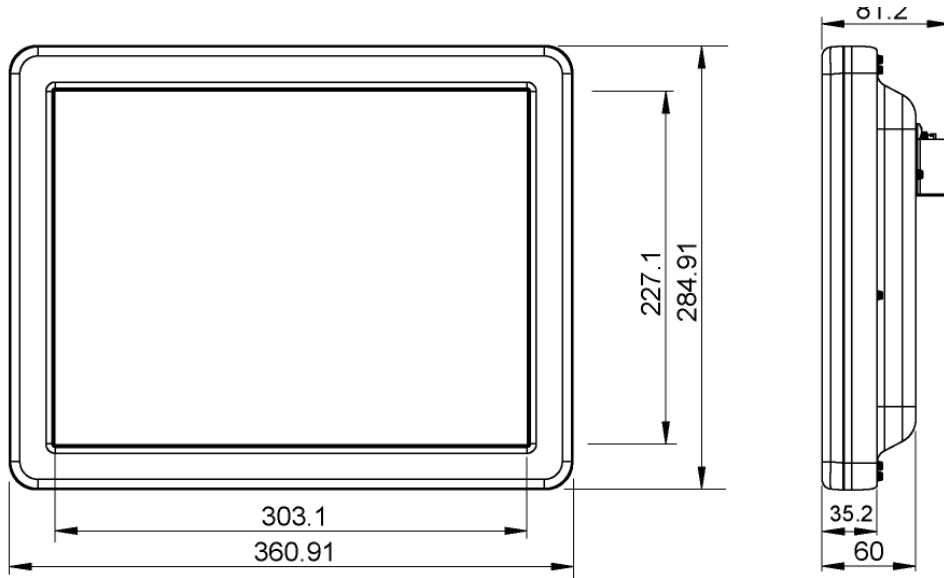
This message means that the LCD Display has been powered on but it cannot receive any signal from the computer graphics card. Check all the power switches, power cables and VGA signal cable.

➤ **Going to Sleep**

The LCD is under the power saving mode. In addition, the LCD will go into this sleep mode when experiencing a sudden signal disconnecting problem.

➤ **Out of Range**

This message means that the signal of the computer graphic card is not compatible with the LCD display. When the signal is not included in the "Video Modes" list we have listed in the Appendices of this manual, the LCD monitor will display this message.



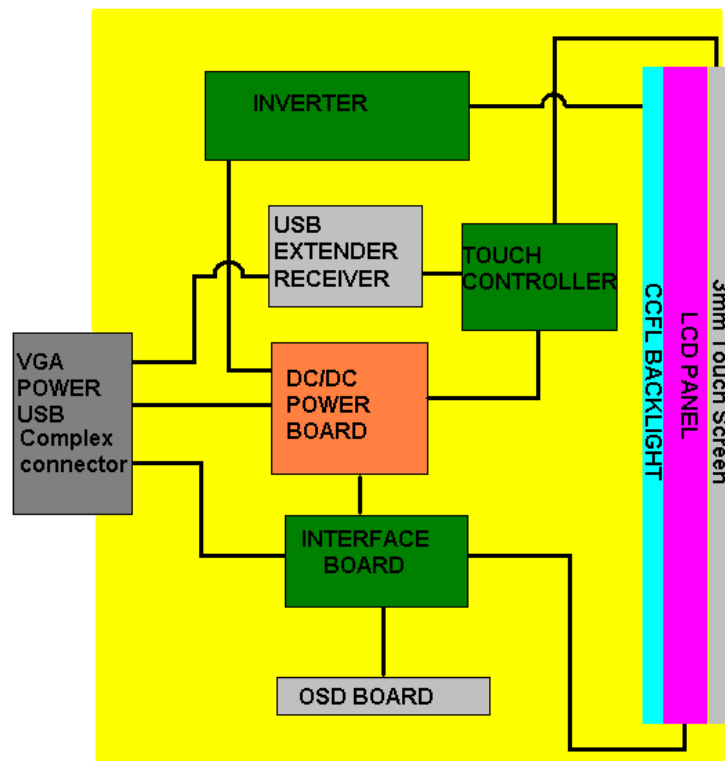
Compatibility Modes

Mode	Resolution	H-Frequency (KHz)	V-Frequency (Hz)
VGA	720 x 400	31.47	70
VGA	640 x 480	31.47	60
MAC XGA	640 x 480	35	66
VESA VGA	640 x 480	37.86	72
VESA SVGA	640 x 480	37.5	75
VESA SVGA	800 x 600	35.16	56
VESA SVGA	800 x 600	37.88	60
VESA SVGA	800 x 600	46.88	75
VESA XGA	800 x 600	48.08	72
MAC XGA	832 x 624	49.72	75
VESA XGA	1024 x 768	48.36	60
SUN XGA	1024 x 768	52.45	66
VESA XGA	1024 x 768	56.48	70
VESA XGA	1024 x 768	60.02	75

Manufacturer's Instructions

This apparatus is suitable for use in Class I, Division 2 groups, or unclassified locations.

Control drawing:



WARNING: EXPOSURE TO SOME CHEMICALS MAY DEGRADE THE SEALING PROPERTIES OF MATERIALS USED IN THE DEVICES.

WARNING: EXPLOSION HAZARD. DO NOT DISCONNECT WHILE THE CIRCUIT IS LIVE OR UNLESS THE AREA IS KNOWN TO BE FREE OF IGNITIBLE CONCENTRATIONS.

Compliance Information

Federal Communication Commission Radio

Frequency International Statement

This equipment has been tested and found to comply with the limits for a Class A digital device pursuant to Part 15 of the FCC Rules. These limits are designed to provide reasonable protection against harmful interference with the equipment is operated in a commercial environment. This equipment generates, uses and can radiate radio frequency energy and, if not installed and used in accordance with the instruction manual, may cause harmful interference to radio communications. Operation of this equipment in a residential area is likely to cause harmful interference in which case the user will be required to correct the interference at his own expense.

Revision Control	
DATE:	DESCRIPTION:
<i>Oct 2009</i>	<i>Document number 020-0996-00 Rev. A</i>
<i>June 2011</i>	<i>Document number 020-0996-00 Rev. B</i>

Planar Systems, Inc.

Corporate Headquarters
 1195 NW Compton Drive
 Beaverton, OR 97006-1992

Planar Customer Support

Telephone:
 US: 1-866-PLANAR¹ (866) 752-6271
 Outside US: (503) 748-5799
 E-mail: PlanarSupport@planar.com
 Online Technical Library: <http://www.planar.com/support>
 Hours: M-F, 3am-7pm ET, 11am-3am GMT

© 2008 Planar Systems, Inc. Planar is a registered trademark of Planar System, Inc.
 Other brands and names are the property of their respective owners.
 Technical information in this document is subject to change without notice