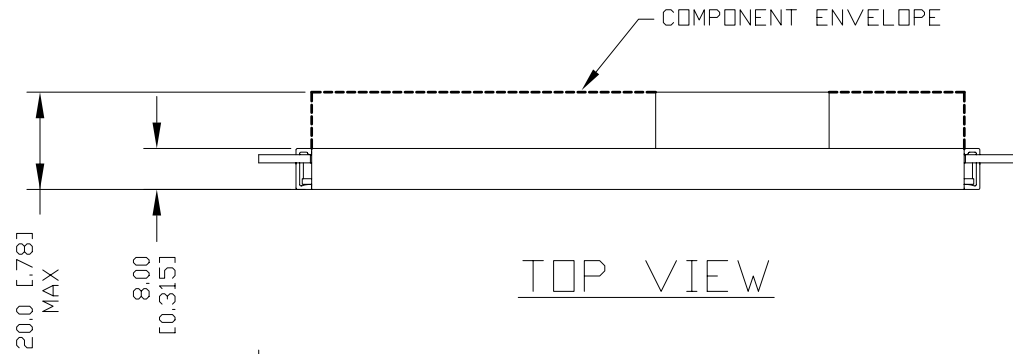
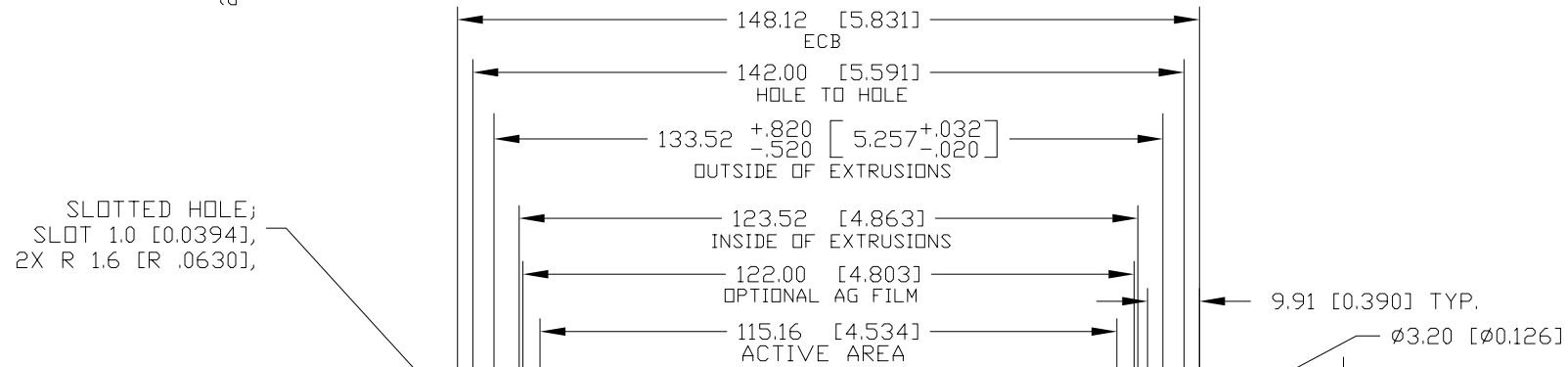


REVISIONS

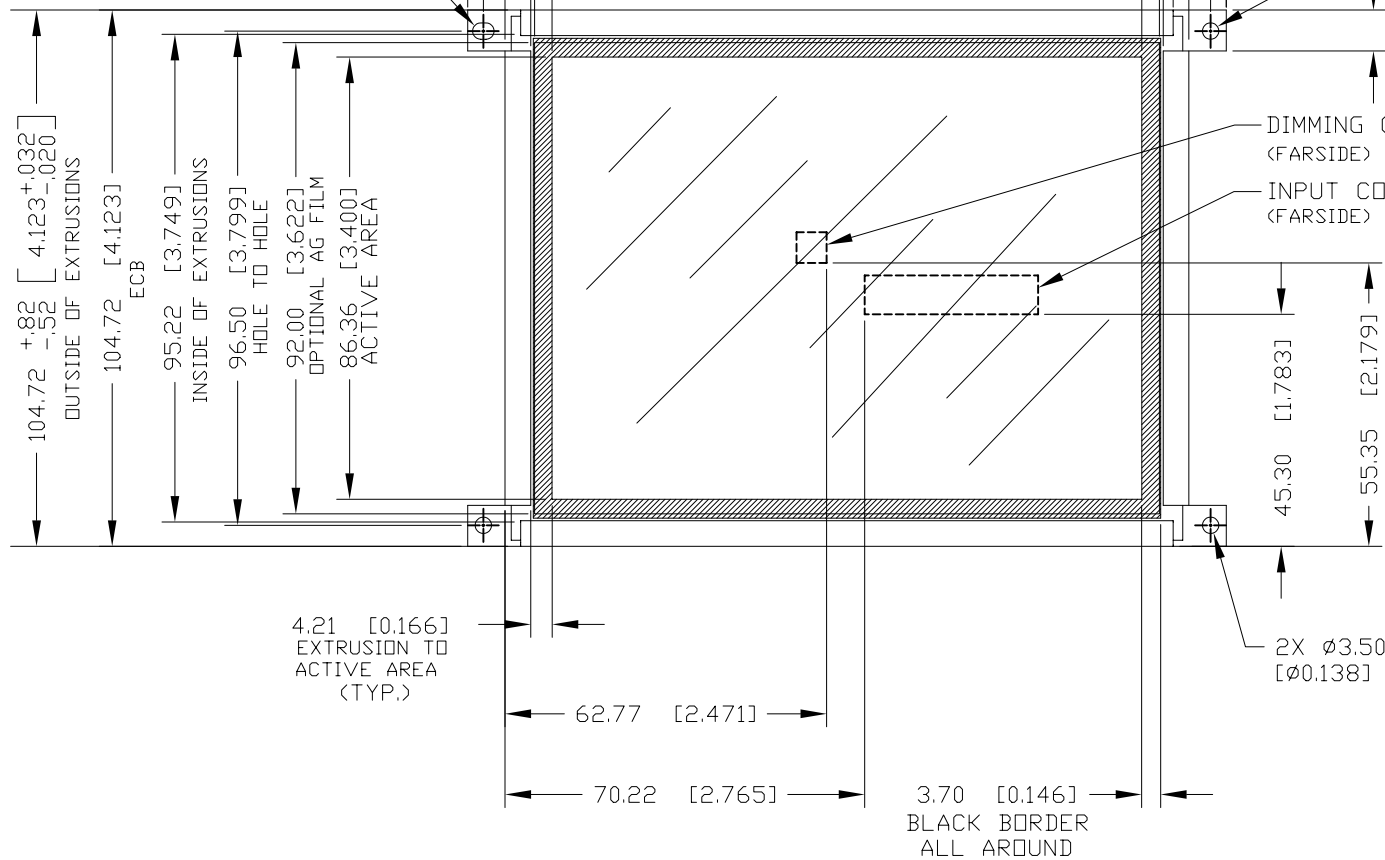
REV	REF	DESCRIPTION	DATE	REV BY	CHK BY
B	082-00	ADDED ADDITIONAL TOL TO OUTSIDE DIM	8/4/00	RLW	
C	ECO-2015	UPDATE TITLEBLOCK	08/25/04	RD	



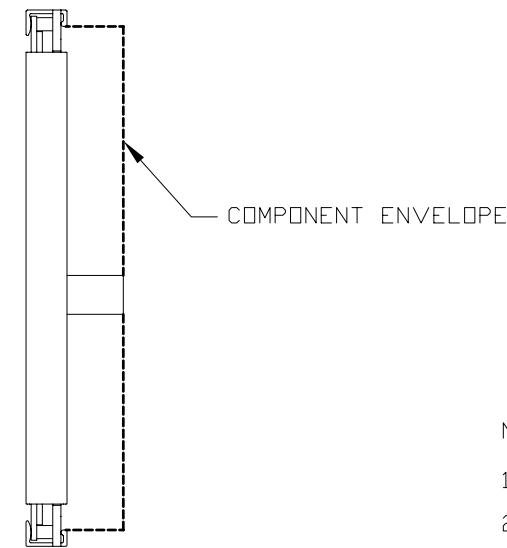
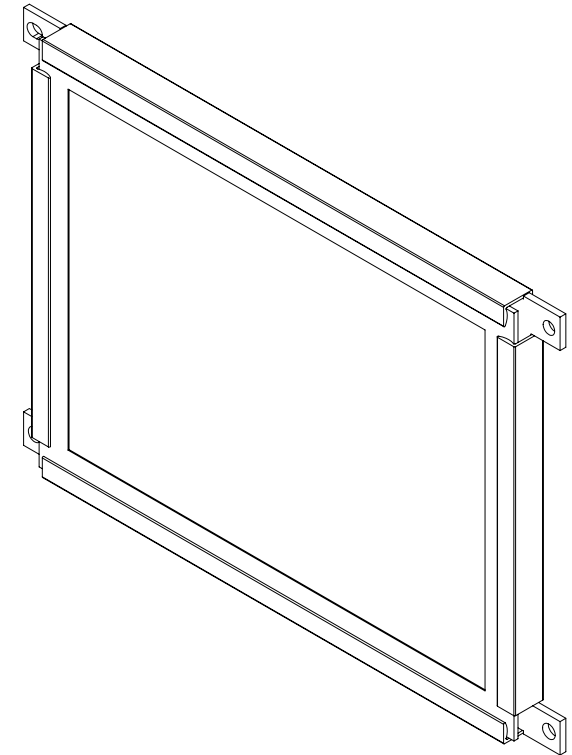
TOP VIEW



SLOTTED HOLE;
SLOT 1.0 [0.0394],
2X R 1.6 [R .0630],



FRONT VIEW



SIDE VIEW

NOTES (UNLESS OTHERWISE SPECIFIED)

- DIMENSIONS IN MILLIMETERS, INCHES IN BRACKETS.
- PIXEL FORMAT: 320 X 240
ACTIVE AREA: 115.156 [4.53] X 86.356 [3.40] REF
PIXEL SIZE: .316 [0.0124] X .316 [0.0124]
PIXEL PITCH: .36 [0.0142] X .36 [0.0142]
DENSITY: 70.5 LINES PER INCH
FILL FACTOR: 77%

THIS DRAWING CONTAINS INFORMATION PROPRIETARY TO PLANAR SYSTEMS, INC.. ANY REPRODUCTION IN PART OR WHOLE WITHOUT THE WRITTEN PERMISSION OF PLANAR SYSTEMS IS PROHIBITED. THIS DRAWING IS SUPPLIED FOR INFORMATION, IDENTIFICATION, ENGINEERING, EVALUATION, AND/OR INSPECTION PURPOSES ONLY AND MAY NOT BE USED AS BASIS FOR THE MANUFACTURING OF PRODUCTS OR THE FURNISHING OF SERVICES TO PLANAR SYSTEMS OR TO ANY THIRD PARTY UNLESS AUTHORIZED IN WRITING BY PLANAR SYSTEMS.

UNLESS OTHERWISE SPECIFIED DIMENSIONS ARE IN MILLIMETERS.		ENGR BY	D.WEAVER	4/25/00
TOLERANCES:		DRAWN BY	R.WHITFORD	4/25/00
X = --	.XX = ±.25[.010]	CHECKED BY	D.WEAVER	4/25/00
.X = ±.50[.020]	ANGLES = -	USED ON	EL320.240.36HB	
DIMENSIONING AND TOLERANCING PER ASME Y14.5M-1994		MATERIAL	NA	
THIRD ANGLE PROJECTION		FINISH	NA	

		PLANAR SYSTEMS 1195 NW COMPTON DRIVE BEAVERTON, OR 97006 USA	
		TITLE MECH, OUTLINE, EL320.240.36HB	
SIZE	PART NO.	DRAWING NO.	REV
B	996-0292-00/01	076-0373-00	C
SCALE	1:1	DO NOT SCALE	SHEET 1 OF 1