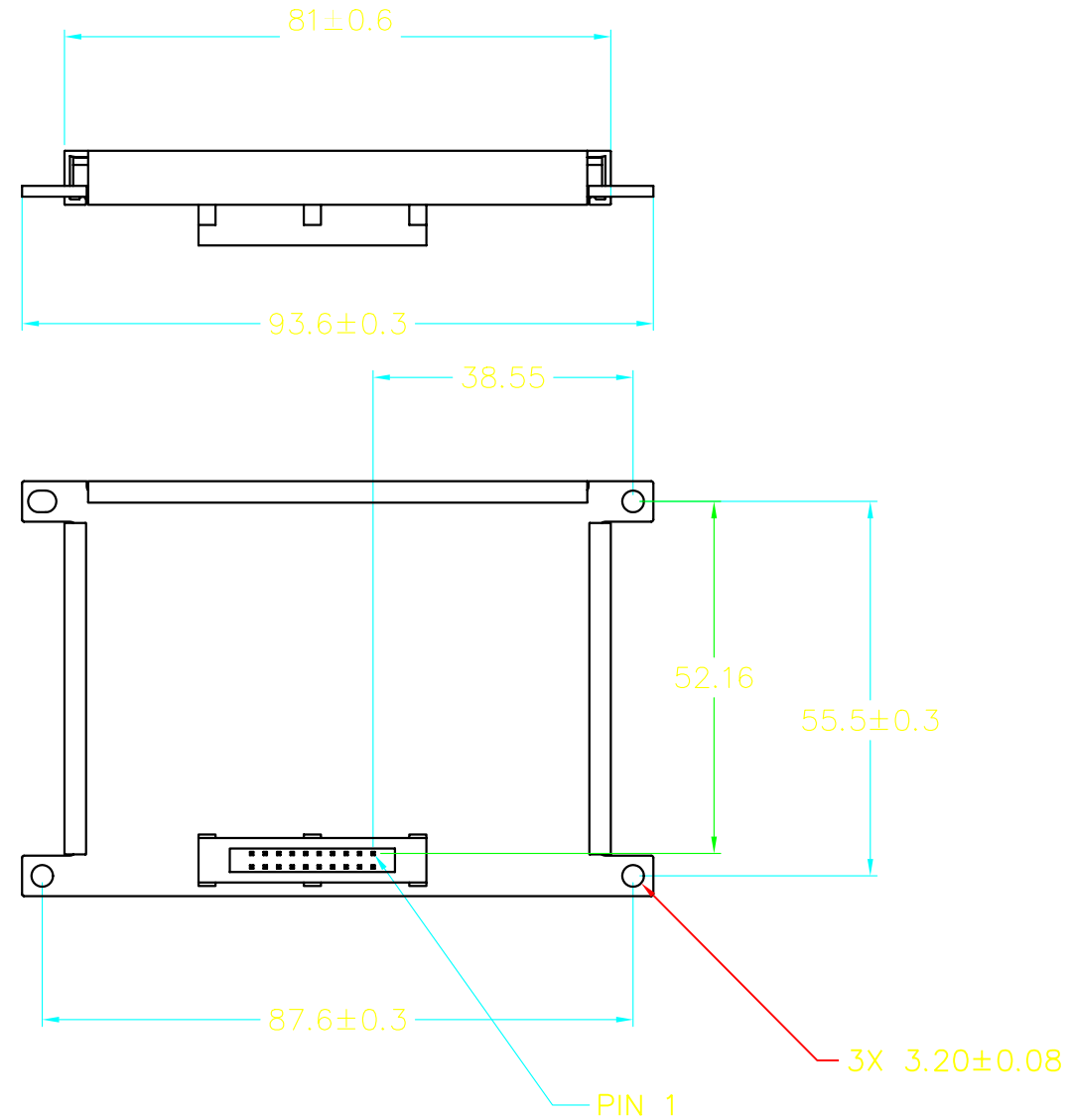
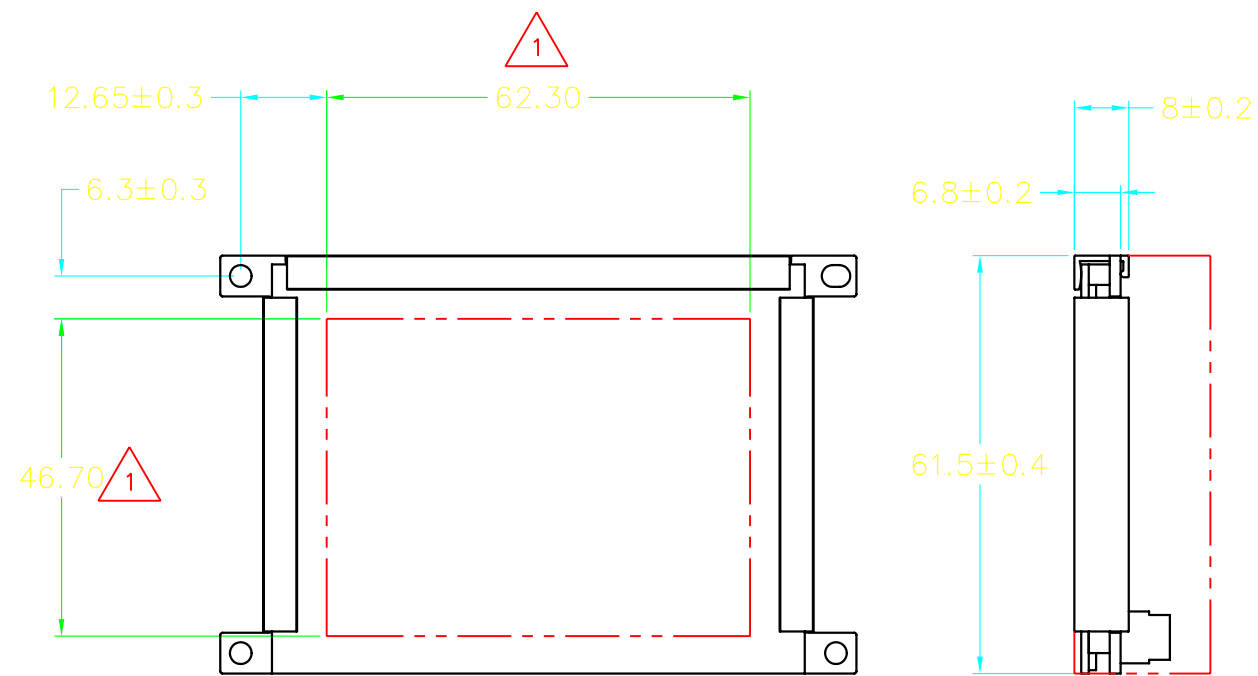


REVISIONS

REV	REF	DESCRIPTION	DATE	REV BY	CHK BY
B	124-00	CORRECT TOLERANCES, DIMENSION EXTRUSION TO GLASS, DIMENSION HOLES	11/8/00	G.HINES	--
C	ECO-2015	UPDATE TITLEBLOCK	08/25/04	RD	


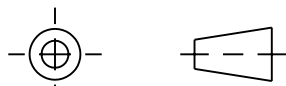


1.00
FRONT OF EXTRUSION
TO FRONT OF GLASS

20.0
MAX
COMPONENT ENVELOPE

1 ACTIVE AREA: 160 COLUMNS X 120 ROWS.
 PIXEL SIZE: WIDTH - 0.30mm
 HEIGHT - 0.30mm
 PIXEL PITCH: HORIZONTAL - 0.39mm
 VERTICAL - 0.39mm
 FILL FACTOR: 59%

THIS DRAWING CONTAINS INFORMATION PROPRIETARY TO PLANAR SYSTEMS, INC. ANY REPRODUCTION IN PART OR WHOLE WITHOUT THE WRITTEN PERMISSION OF PLANAR SYSTEMS IS PROHIBITED. THIS DRAWING IS SUPPLIED FOR INFORMATION, IDENTIFICATION, ENGINEERING, EVALUATION, AND/OR INSPECTION PURPOSES ONLY AND MAY NOT BE USED AS BASIS FOR THE MANUFACTURING OF PRODUCTS OR THE FURNISHING OF SERVICES TO PLANAR SYSTEMS OR TO ANY THIRD PARTY UNLESS AUTHORIZED IN WRITING BY PLANAR SYSTEMS.

UNLESS OTHERWISE SPECIFIED DIMENSIONS ARE IN MILLIMETERS.		ENGR BY D.WEAVER	05SEP00	 PLANAR SYSTEMS 1195 NW COMPTON DRIVE BEAVERTON, OR 97006 USA
TOLERANCES:		DRAWN BY G.HINES	05SEP00	
X = --	.XX = ±.25	CHECKED BY -	-	TITLE
.X = --	ANGLES = --	USED ON EL160.120.39-STD		DWG,MECH O/L EL160.120.39-STD
DIMENSIONING AND TOLERANCING PER ASME Y14.5M-1994		MATERIAL N/A		SIZE
THIRD ANGLE PROJECTION		FINISH N/A		PART NO. 076-0371-00
		DRAWING NO. 076-0371-00		REV C
SCALE NONE		DO NOT SCALE		SHEET 1 OF 1