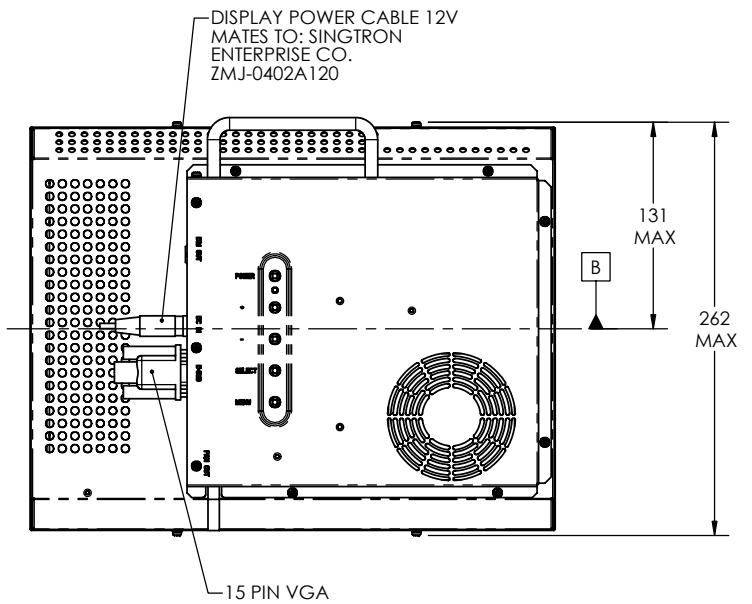
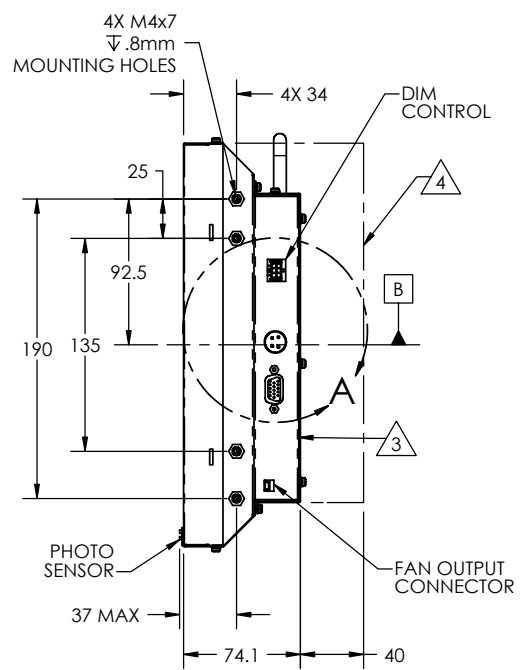
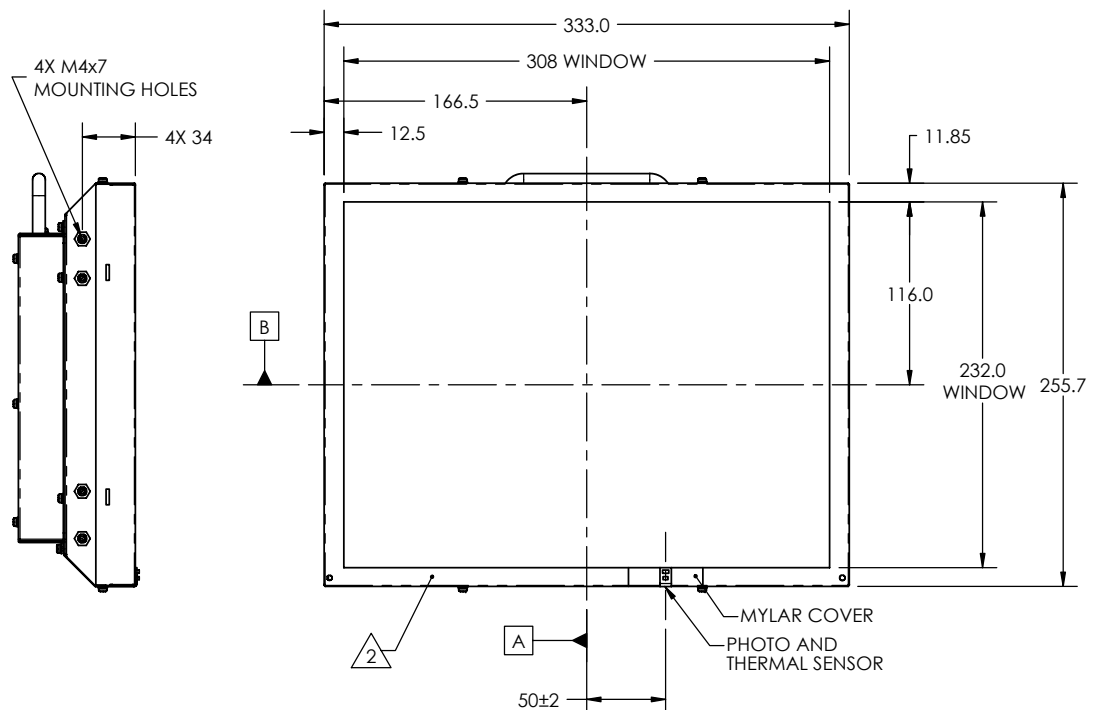
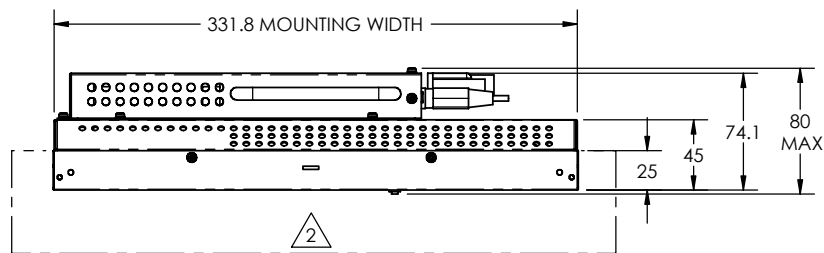
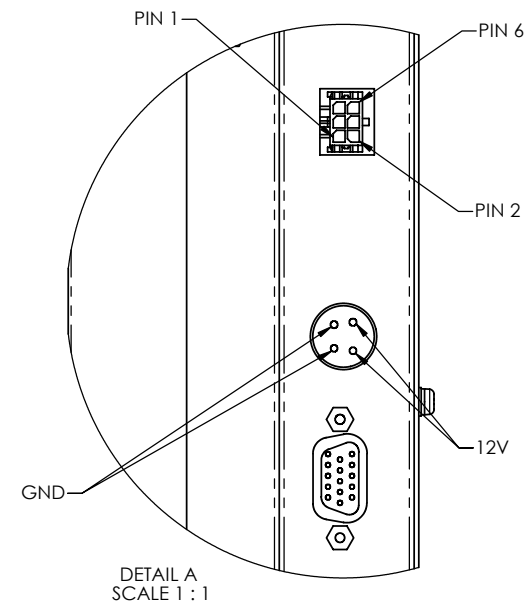


NOTES:

- 1. SHEET METAL IS YELLOW ZINC PLATED.
- 2. NOTED SURFACE PAINTED FLAT BLACK.
- 3. AIRFLOW DIRECTION.
- 4. CLEARANCE NEEDED FOR AIRFLOW.

THIS DRAWING CONTAINS INFORMATION PROPRIETARY TO PLANAR SYSTEMS, INC. ANY REPRODUCTION IN PART OR WHOLE WITHOUT THE WRITTEN PERMISSION OF PLANAR SYSTEMS IS PROHIBITED. THIS DRAWING IS SUPPLIED FOR INFORMATION, IDENTIFICATION, ENGINEERING, EVALUATION, AND/OR INSPECTION PURPOSES ONLY AND MAY NOT BE USED AS BASIS FOR THE MANUFACTURING OF PRODUCTS OR THE FURNISHING OF SERVICES TO PLANAR SYSTEMS OR TO ANY THIRD PARTY UNLESS AUTHORIZED IN WRITING BY PLANAR SYSTEMS.

REVISIONS					
REV	REF	DESCRIPTION	DATE	REV BY	CHK BY



UNLESS OTHERWISE SPECIFIED DIMENSIONS ARE IN MILLIMETER.		ENGR BY S.VAHLING	01/15/04	<p>PLANAR SYSTEMS, INC. 1195 NW COMPTON DRIVE BEAVERTON, OR 97006 USA</p>
TOLERANCES: X= ±1    .XX= ±10 .X= ±.5    ANGLES= ±1°		DRAWN BY R.DAVENPORT	01/15/04	
DIMENSIONING AND TOLERANCING PER ASME Y14.5M-1994		CHECKED BY -	-	TITLE DWG,SPEC,MECH O/L LC15
THIRD ANGLE PROJECTION		USED ON LC1502R (1005101)	MATERIAL -	SIZE C
SEE NOTES		FINISH -	SCALE 1:3	PART NUMBER 997-2799-00
				DRAWING NO. 076-0580-00
				REV A
				DO NOT SCALE
				SHEET 1 OF 1