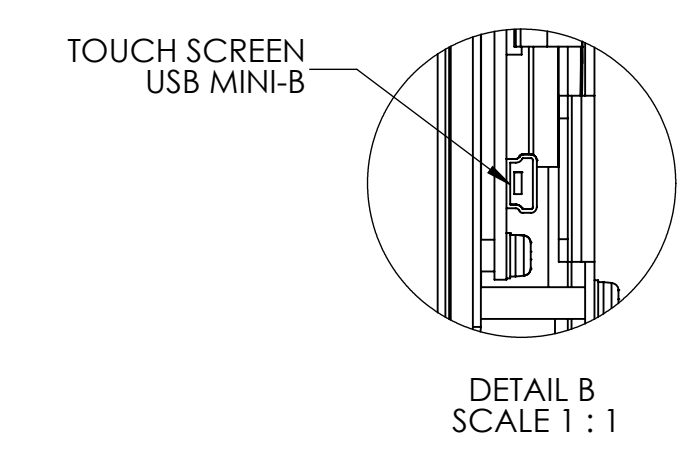
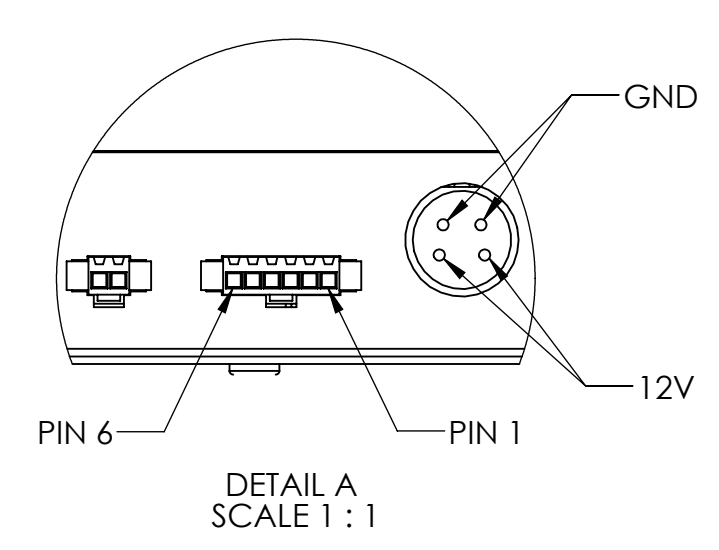
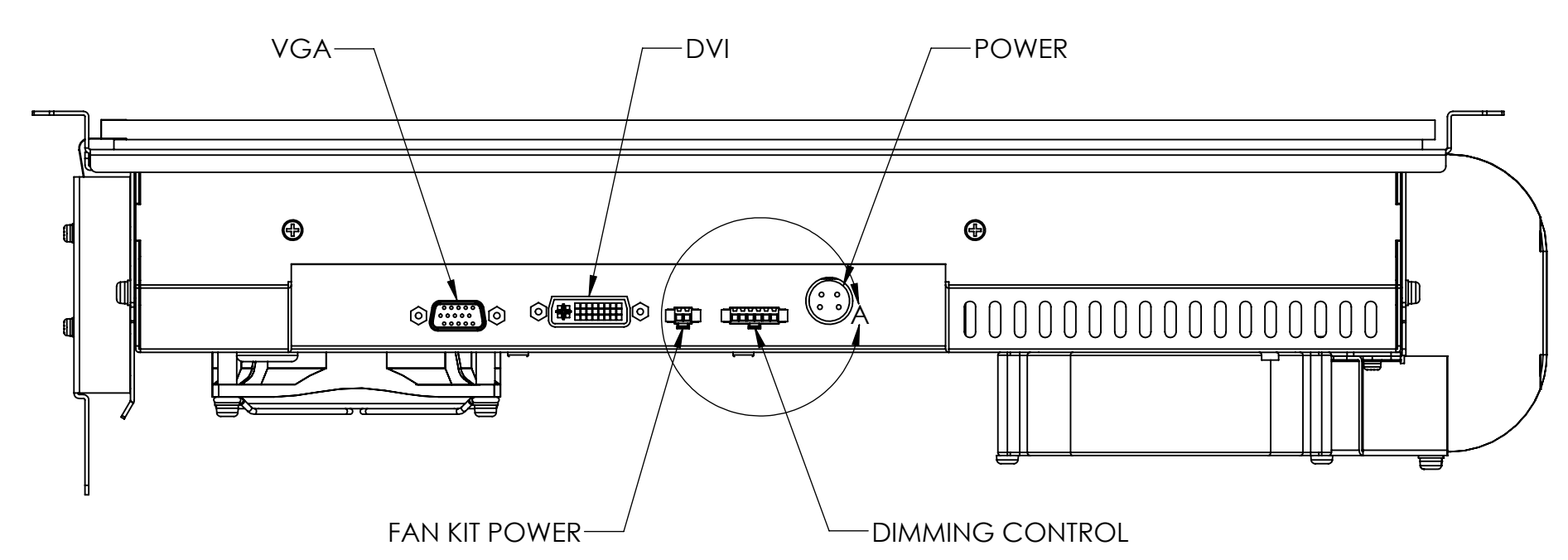
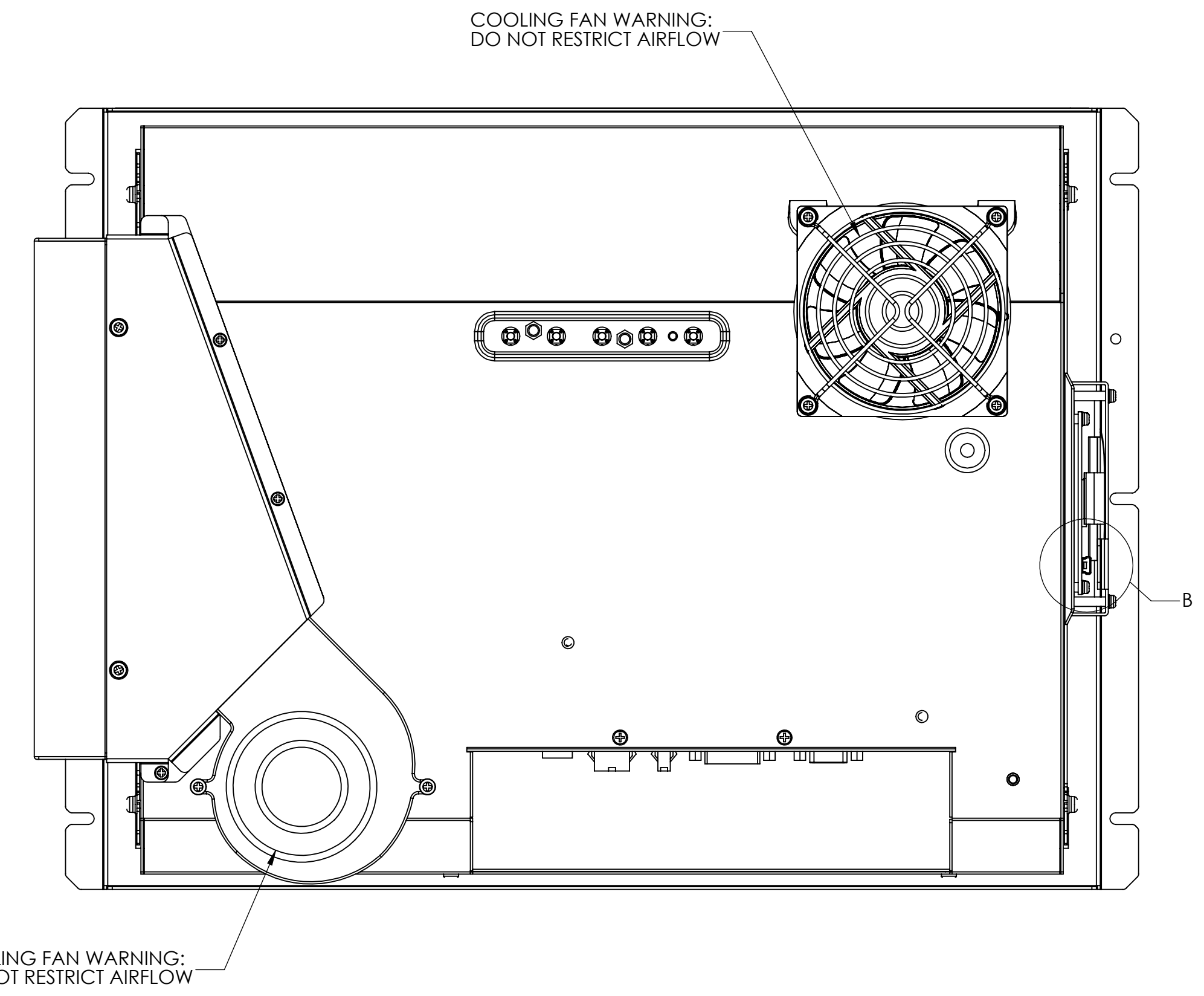
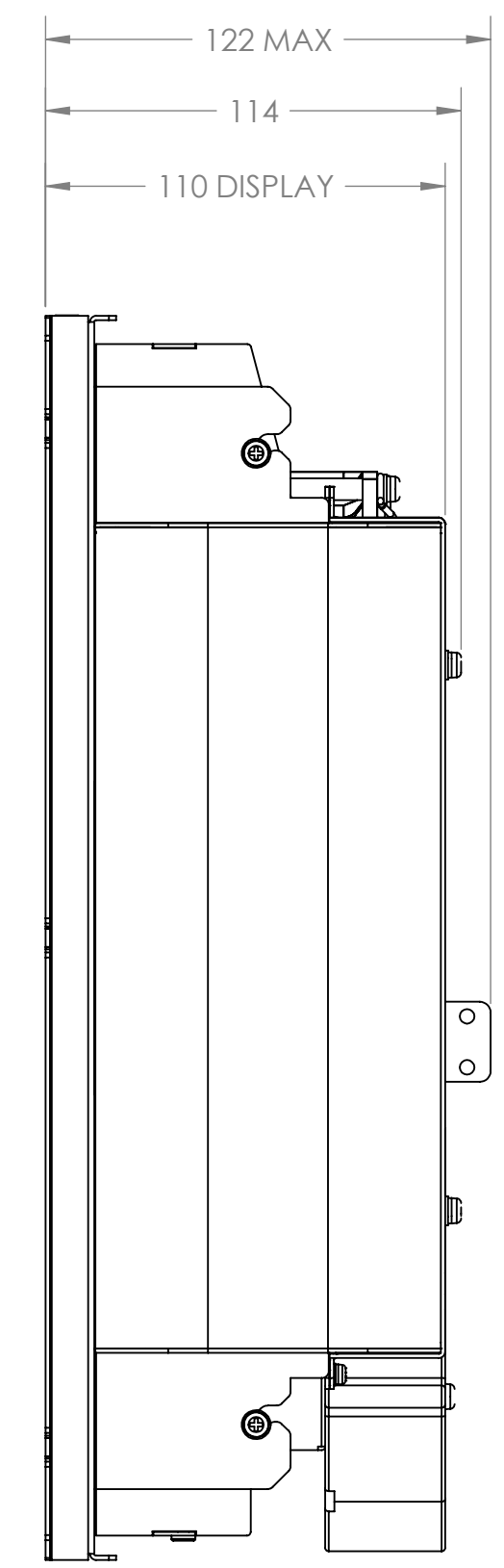
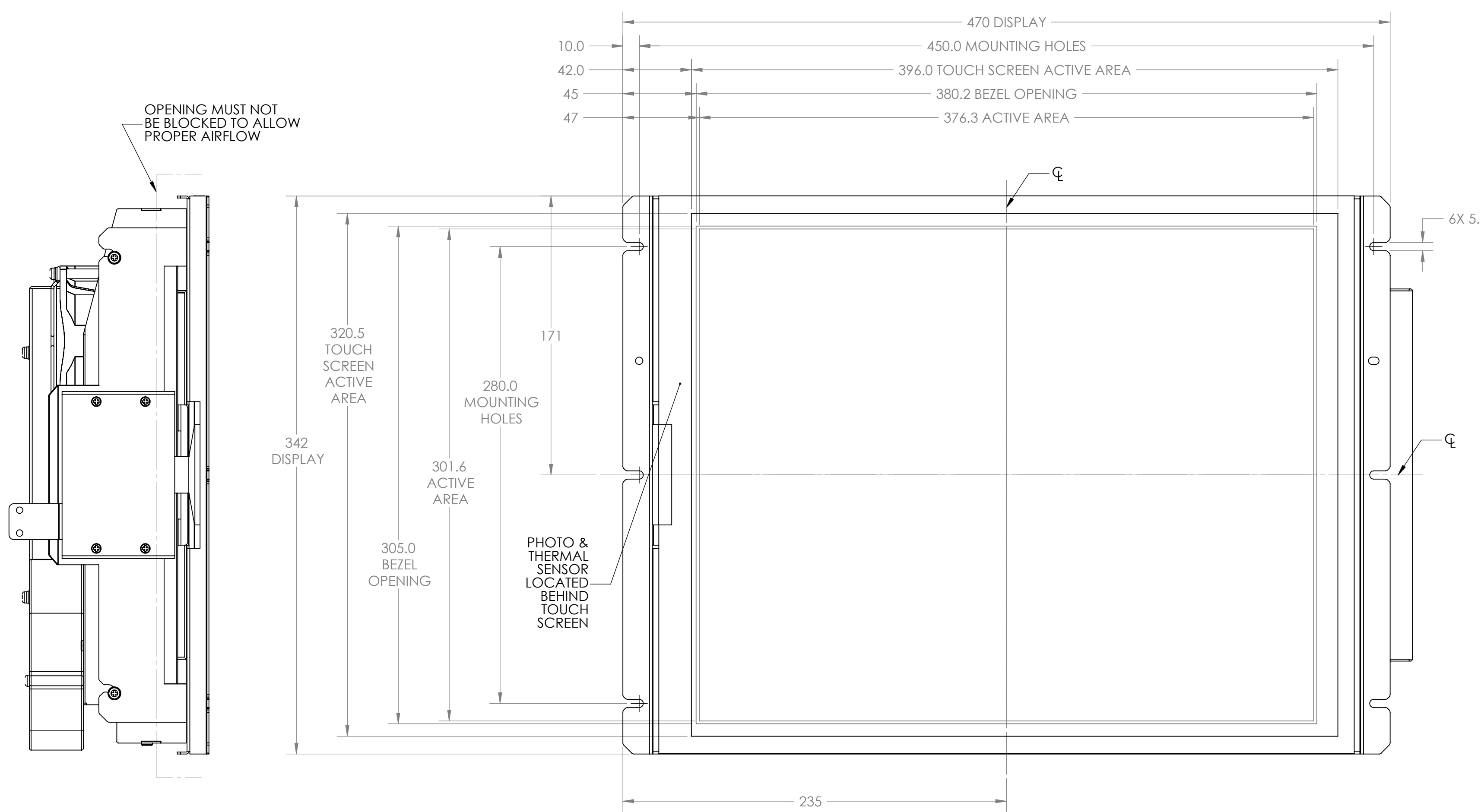
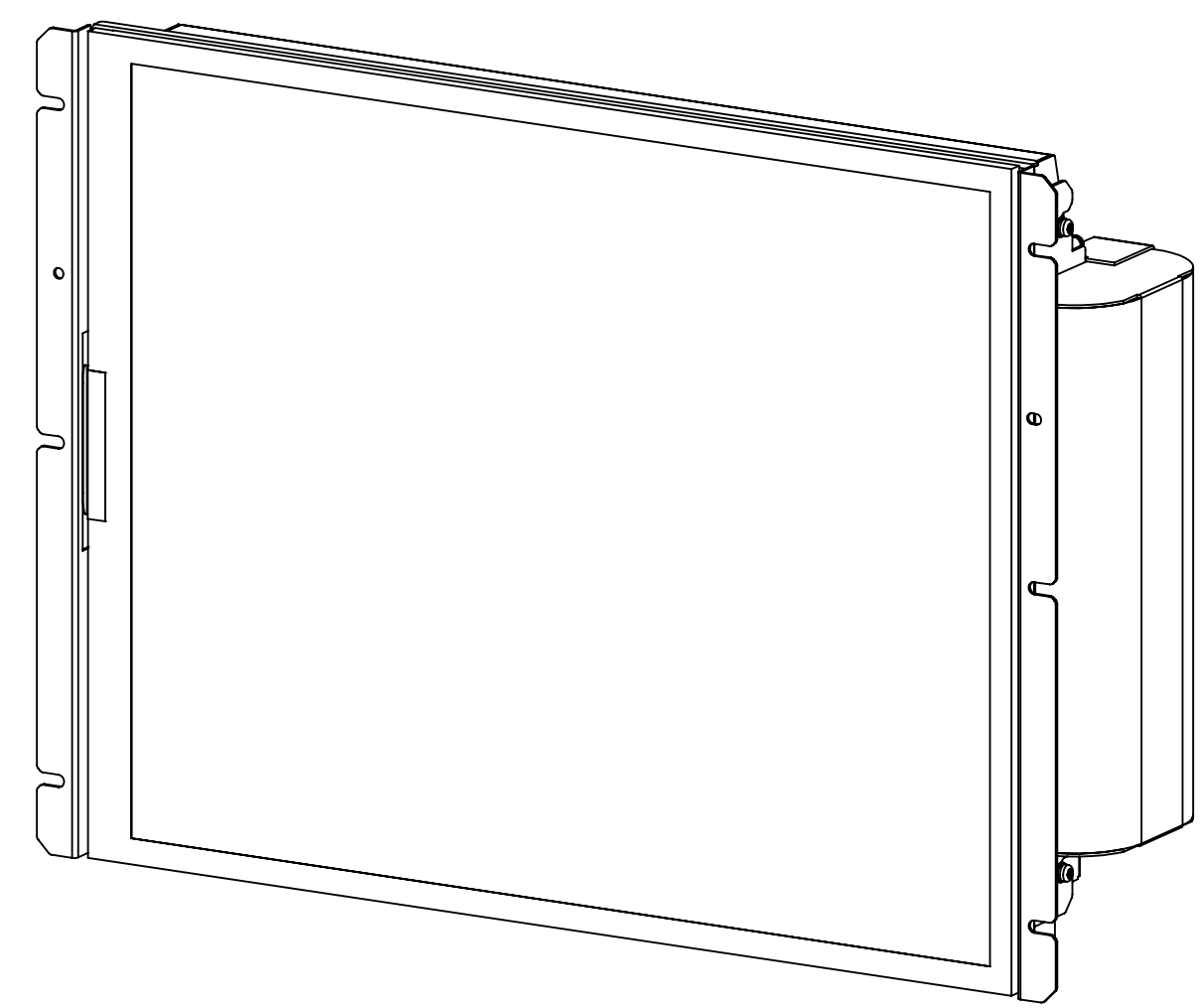


REVISIONS				
ECO	REV.	DESCRIPTION	DATE	APPROVED
	A	INITIAL RELEASE FOR FOR -03LF VERSION WITH ONLY DVI AND ANALOG INPUTS.	07/21/10	NAB

- NOTES:
- SOLID MODEL AVAILABLE UPON REQUEST.
 - THIS PART IS RoHS COMPLIANT.



UNLESS OTHERWISE SPECIFIED DIMENSIONS ARE IN MILLIMETERS		ENGR BY	N. BRASHNYK	09/08/08	PLANAR SYSTEMS, INC. 1195 NW COMPTON DRIVE BEAVERTON, OR 97006 USA
TOLERANCES - UNLESS OTHERWISE SPECIFIED		DRAWN BY	R. DAVENPORT	09/08/08	
X= ±1	.XX= ±.25	CHECKED BY			TITLE DWG, SPEC, MECH O/L LC1913RTZ-C
X= ±.5	ANGLES= ±1°	USED ON	LC1913RTZ-C	MATERIAL	
DIMENSIONING AND TOLERANCING PER ASME Y14.5M-1994		FINISH	EG PLATED		SIZE PART NUMBER D 997-5361-03LF
THIRD ANGLE PROJECTION					DRAWING NUMBER 076-0655-01
					REV A
					SCALE 1:2 DO NOT SCALE SHEET 1 OF 1

THIS DRAWING CONTAINS INFORMATION PROPRIETARY TO PLANAR SYSTEMS, INC. ANY REPRODUCTION IN PART OR WHOLE WITHOUT THE WRITTEN PERMISSION OF PLANAR SYSTEMS IS PROHIBITED. THIS DRAWING IS SUPPLIED FOR INFORMATION, IDENTIFICATION, ENGINEERING, EVALUATION, AND/OR INSPECTION PURPOSES ONLY AND MAY NOT BE USED AS BASIS FOR THE MANUFACTURING OF PRODUCTS OR THE FURNISHING OF SERVICES TO PLANAR SYSTEMS OR TO ANY THIRD PARTY UNLESS AUTHORIZED IN WRITING BY PLANAR SYSTEMS.