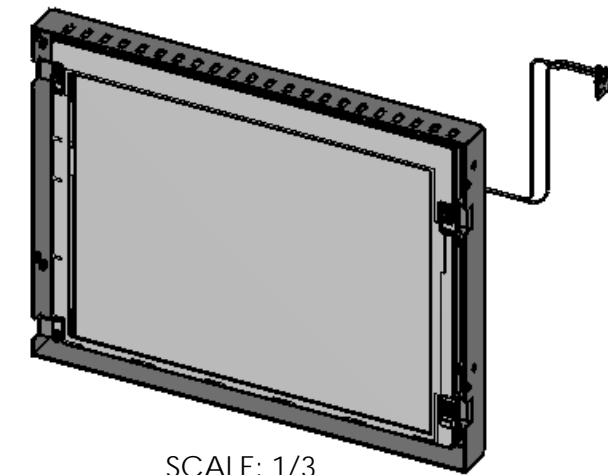


NOTES:

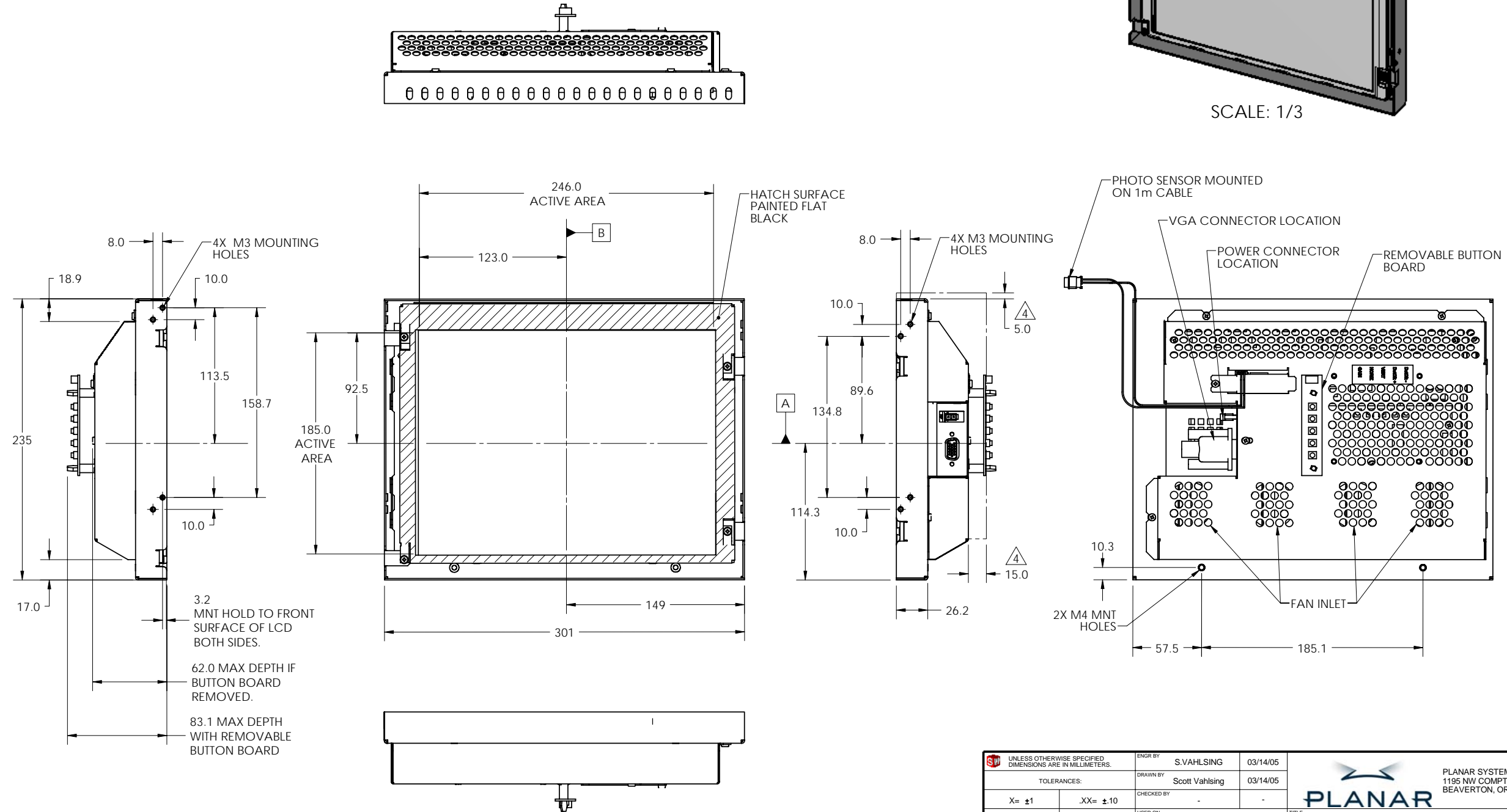
1. SEE PRODUCT MANUAL FOR CONNECTOR DETAILS.
2. PRELIMINARY, SUBJECT TO CHANGE WITHOUT NOTICE.
3. DESIGNED IN SOLIDWORKS. SOLID MODEL FILES: .x\_t, .iges, .step, AVAILABLE UPON REQUEST.

4. CLEARANCE REQUIRED FOR AIRFLOW.

REVISIONS				
ZONE	REV.	DESCRIPTION	DATE	APPROVED
	A	INITIAL RELEASE	08/17/05	



SCALE: 1/3



THIS DRAWING CONTAINS INFORMATION PROPRIETARY TO PLANAR SYSTEMS, INC. ANY REPRODUCTION IN PART OR WHOLE WITHOUT THE WRITTEN PERMISSION OF PLANAR SYSTEMS IS PROHIBITED. THIS DRAWING IS SUPPLIED FOR INFORMATION, IDENTIFICATION, ENGINEERING, EVALUATION, AND/OR INSPECTION PURPOSES ONLY AND MAY NOT BE USED AS BASIS FOR THE MANUFACTURING OF PRODUCTS OR THE FURNISHING OF SERVICES TO PLANAR SYSTEMS OR TO ANY THIRD PARTY UNLESS AUTHORIZED IN WRITING BY PLANAR SYSTEMS.

UNLESS OTHERWISE SPECIFIED DIMENSIONS ARE IN MILLIMETERS.		ENGR BY	S.VAHLISING	03/14/05
TOLERANCES:		DRAWN BY	Scott Vahlsing	03/14/05
X = ±1	.XX = ±10	CHECKED BY		
.X = ±5	ANGLES = ±1*	USED ON	1006701 LC12	
DIMENSIONING AND TOLERANCING PER ASME Y14.5M-1994		MATERIAL		
THIRD ANGLE PROJECTION		FINISH	SEE NOTES	
TITLE		PLANAR SYSTEMS, INC. 1195 NW COMPTON DRIVE BEAVERTON, OR 97006 USA		
SCALE		DWG,SPEC,MECH O/L LC12		
SIZE	PART NUMBER	DRAWING NO.	REV	
C	997-3058-00	076-0603-00	A	
SCALE	2:5	DO NOT SCALE	SHEET	1 OF 1