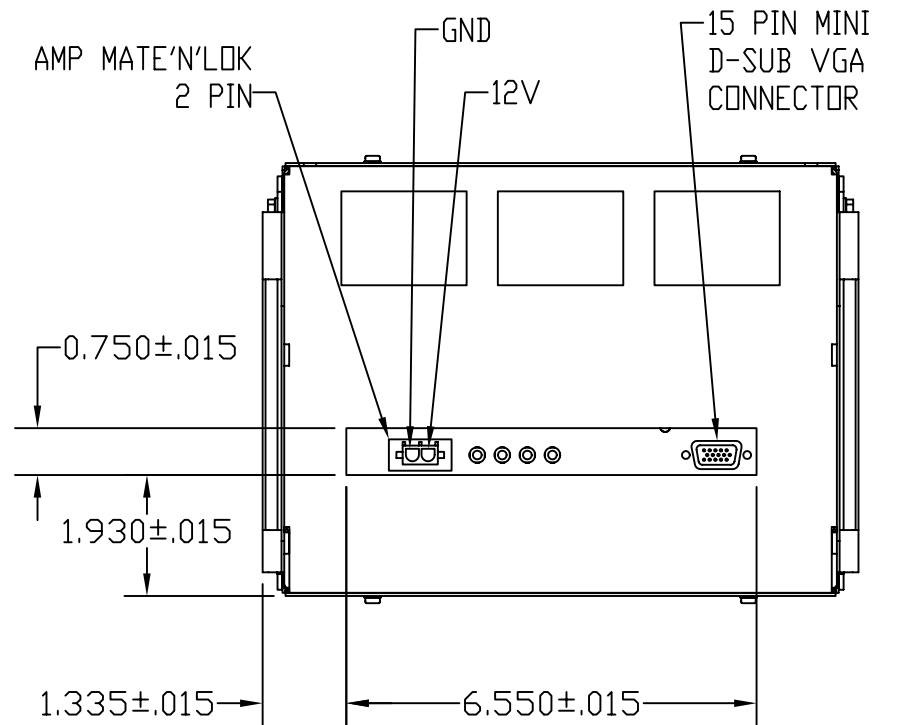
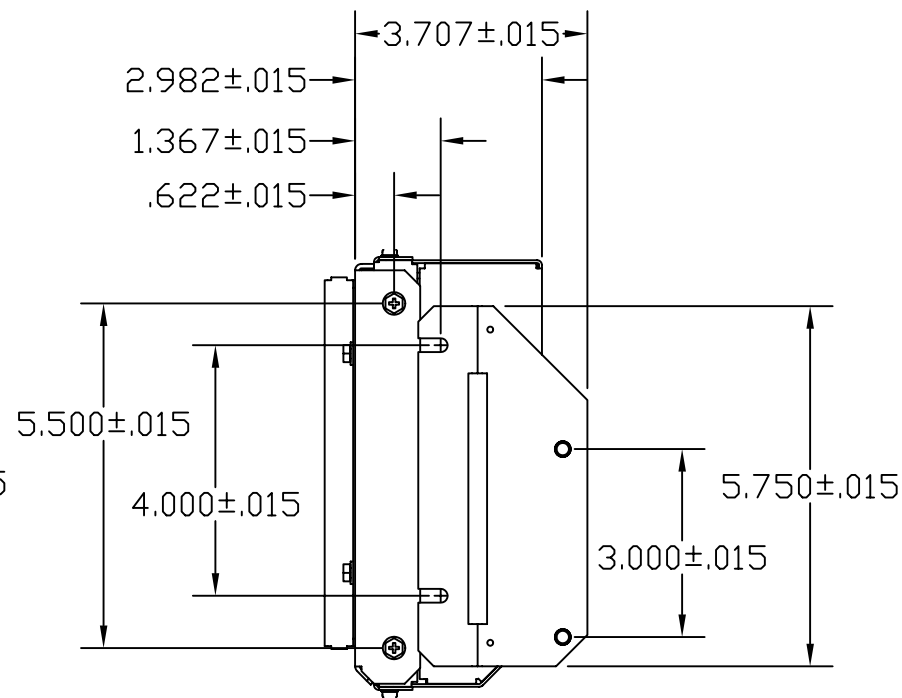
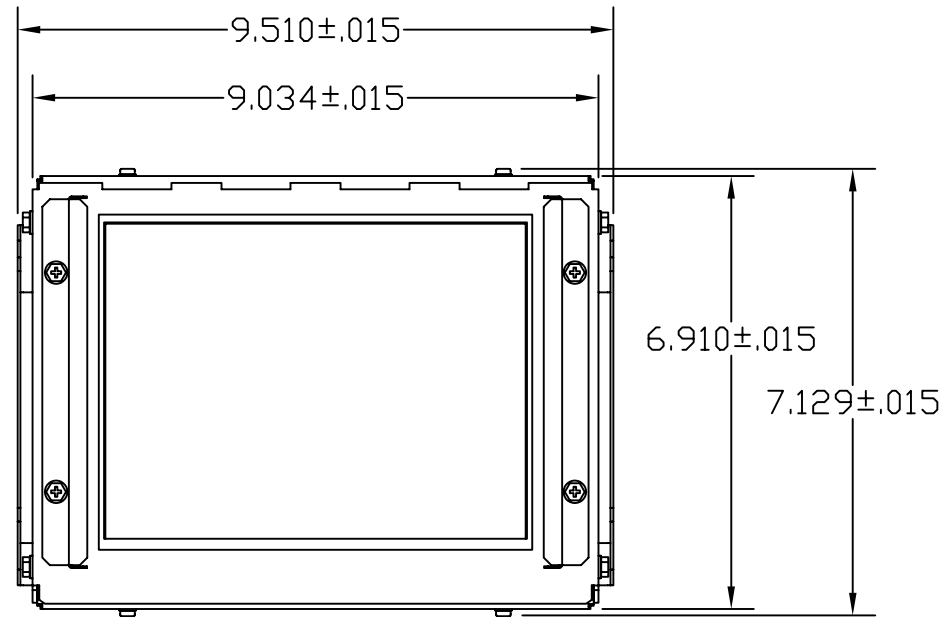
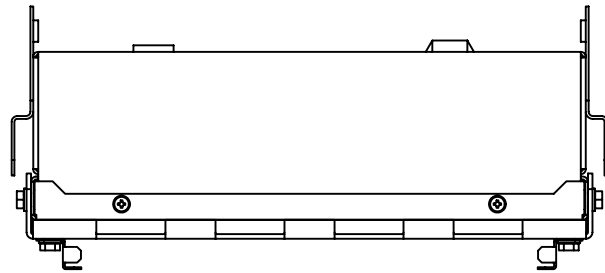

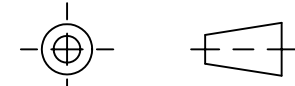


NOTES:



REVISIONS					
REV	REF	DESCRIPTION	DATE	REV BY	CHK BY
B	ECO-2015	UPDATE TITLEBLOCK	08-27-04	RD	

THIS DRAWING CONTAINS INFORMATION PROPRIETARY TO PLANAR SYSTEMS, INC., ANY REPRODUCTION IN PART OR WHOLE WITHOUT THE WRITTEN PERMISSION OF PLANAR SYSTEMS IS PROHIBITED. THIS DRAWING IS SUPPLIED FOR INFORMATION, IDENTIFICATION, ENGINEERING, EVALUATION, AND/OR INSPECTION PURPOSES ONLY AND MAY NOT BE USED AS BASIS FOR THE MANUFACTURING OF PRODUCTS OR THE FURNISHING OF SERVICES TO PLANAR SYSTEMS OR TO ANY THIRD PARTY UNLESS AUTHORIZED IN WRITING BY PLANAR SYSTEMS.

UNLESS OTHERWISE SPECIFIED DIMENSIONS ARE IN INCHES.		ENGR BY	P.DRACH	02-10-03	 PLANAR SYSTEMS 1195 NW COMPTON DRIVE BEAVERTON, OR 97006 USA
TOLERANCES:		DRAWN BY	R.DAVENPORT	02-10-03	
.X = ±.1	.XXX = ±.005	CHECKED BY	NA	NA	
.XX = ±.02	ANGLES = ±1°	USED ON	DIEBOLD 8.4		
DIMENSIONING AND TOLERANCING PER ASME Y14.5M-1994		MATERIAL	NA		
THIRD ANGLE PROJECTION		FINISH	NA		
		TITLE DWG,SPEC,OUTLINE,LCD,8.4			
SIZE	PART NO.	DRAWING NO.	REV		
B	076-0535-00	076-0535-00	B		
SCALE	1:3	DO NOT SCALE	SHEET	1 OF 1	