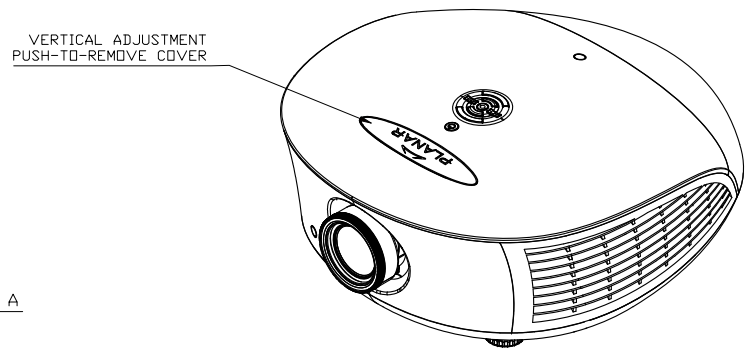
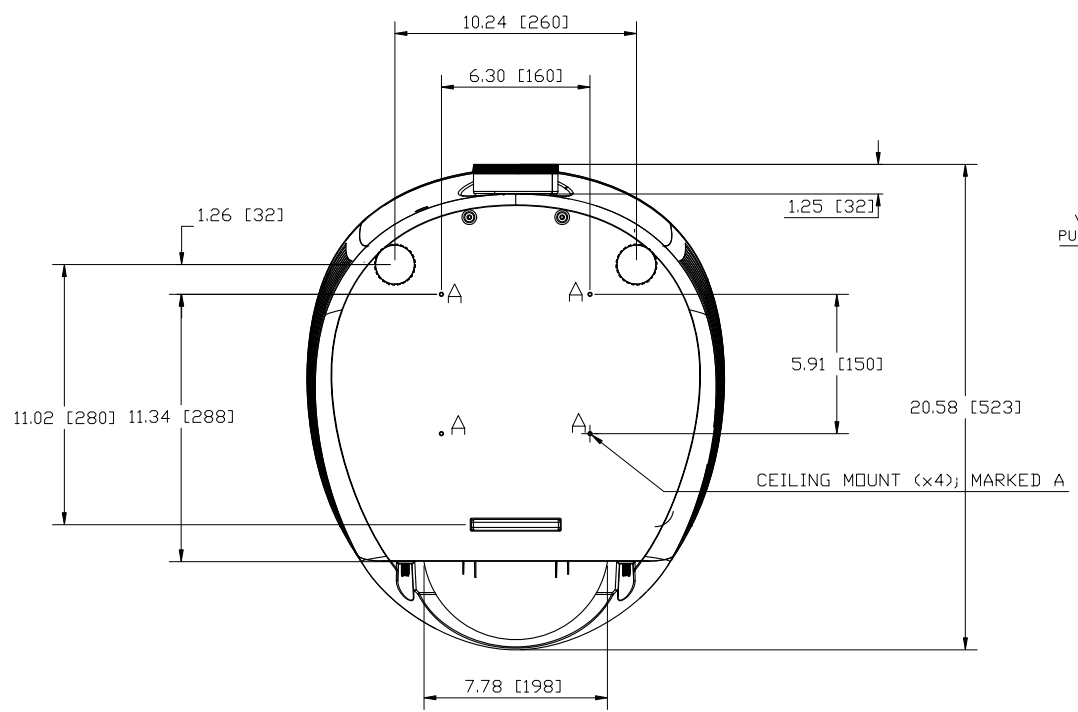
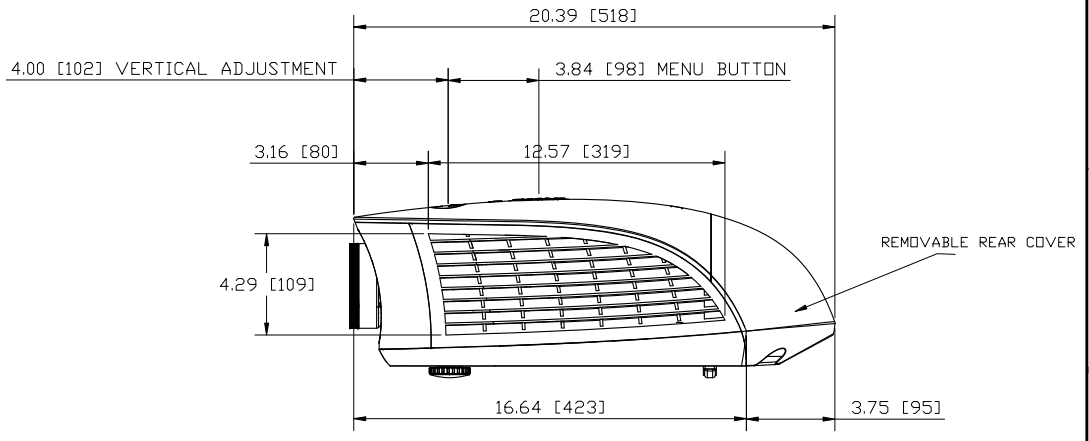
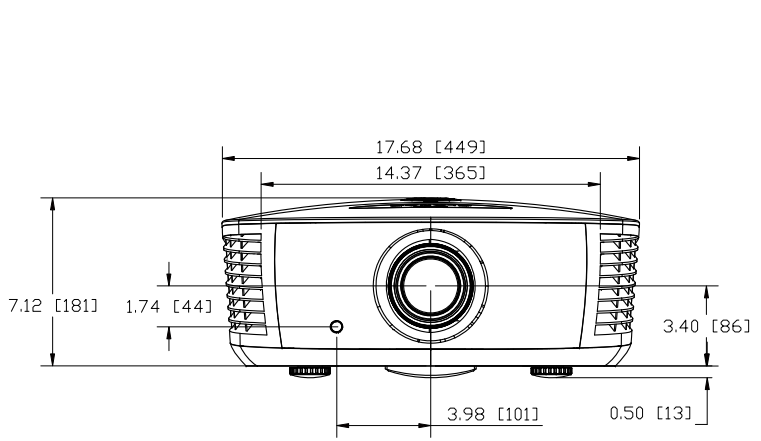


NOTES:
1. ALL DIMENSIONS ARE IN INCHES (MILLIMETERS).

REVISIONS					
ECD	ZONE	REV.	DESCRIPTION	DATE	APPROVED
		A	INITIAL RELEASE	04/21/2009	HC



UNLESS OTHERWISE SPECIFIED DIMENSIONS ARE IN INCHES		DATE BY	HC	04/21/2009	 PLANAR SYSTEMS, INC. 1195 NW COMPTON DRIVE BEAVERTON, OR 97006 USA
TOLERANCES - UNLESS OTHERWISE SPECIFIED		DRAWN BY	HC	04/21/2009	
X= ±.1	.XX= ±.005	CHECKED BY	HC	04/21/2009	
XX= ±.01	ANGLES= ±1°	USED IN	PD8130/PD8150		TITLE
DIMENSIONING AND TOLERANCING PER ASME Y14.5M-1994		MATERIAL			PD8130/PD8150 OVERALL DIM
THIRD ANGLE PROJECTION		FINISH			SIZE C PART NUMBER N/A DRAWING NUMBER REV A
		SCALE	1:1	DO NOT SCALE	SHEET 1 OF 1

THIS DRAWING CONTAINS INFORMATION PROPRIETARY TO PLANAR SYSTEMS, INC. ANY REPRODUCTION IN PART OR WHOLE WITHOUT THE WRITTEN PERMISSION OF PLANAR SYSTEMS, INC. IS PROHIBITED. THIS DRAWING IS SUPPLIED FOR INFORMATIONAL, CONSULTATION, EVALUATION, AND/OR QUOTE PURPOSES ONLY AND MAY NOT BE USED AS BASIS FOR THE MANUFACTURE OF PRODUCTS OF THE FURNISHING OF SERVICES TO PLANAR SYSTEMS OR TO ANY THIRD PARTY UNLESS AUTHORIZED IN WRITING BY PLANAR SYSTEMS.