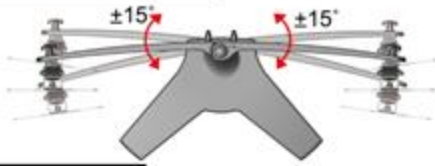


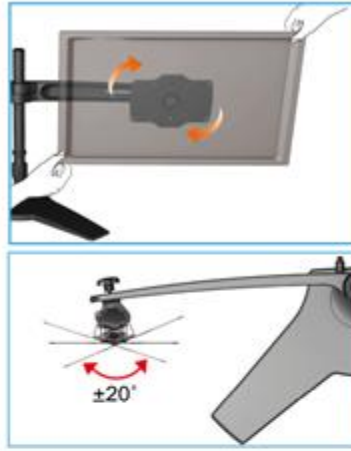


Product Name:	Planar Large Format Dual Monitor Stand				
Planar Part Number:	997-6504-00	UPC Code:	8 1068906504 3	Model Number:	TS732
Compatible with:	200 mm x 100 mm VESA, 100 mm x 100 mm VESA, 75 mm x 75 mm VESA				
Weight:	N/A		Shipping Weight:	15 lbs	
Product Details:	<p>The Planar Large Format Dual Monitor stand maximizes the benefits of two monitors - from 24" to 32" with maximum weight of 26 lbs. per display - by making it easier to toggle between applications with a seamless display setup. The stand is compatible with 200 mm x 100 mm, 100 mm x 100 mm and 75 mm x 75 mm VESA hole patterns. The stand helps to organize the display cables with a cable organizer, and can tilt, swivel, rotate, and height adjust. Installation is quick and easy.</p> <ul style="list-style-type: none">• Supports two displays from 24" to 32" with maximum weight 26 lbs per display• Flexibility to tilt up and down +/- 15°• Rotate 90° for landscape or portrait mode• Swivel displays side to side +/-20°• Cable organizer to neatly manage display cables				
	See additional instructions below.				

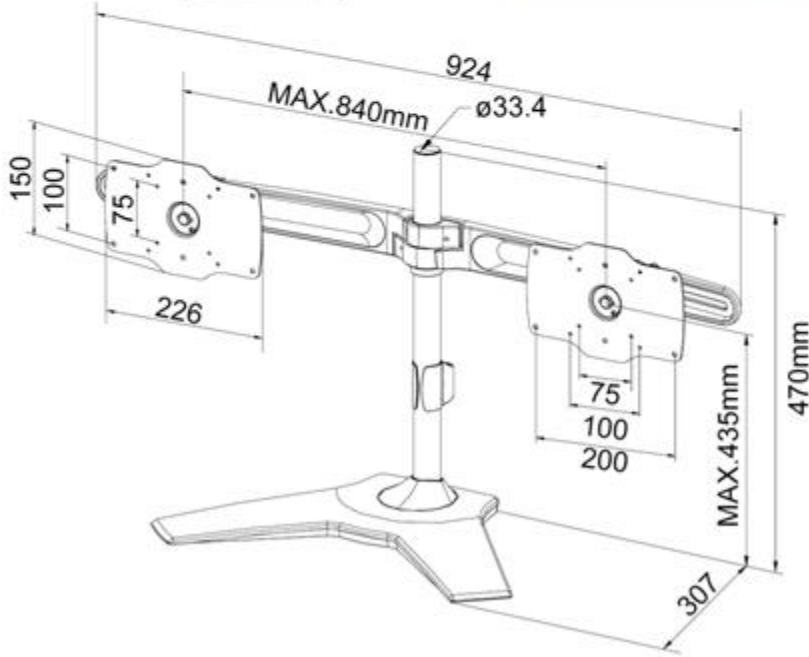
Arm Adjust(For each Arm)



Tilt



Horizontal & Vertical Adjust



Cable Management

