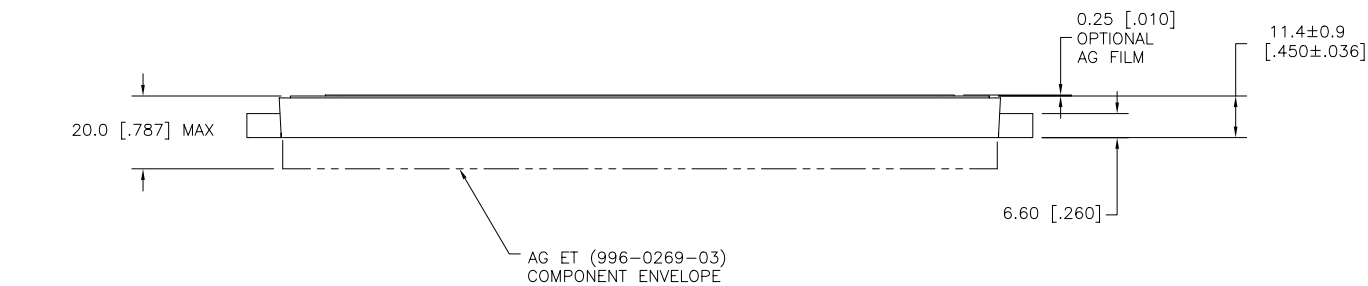
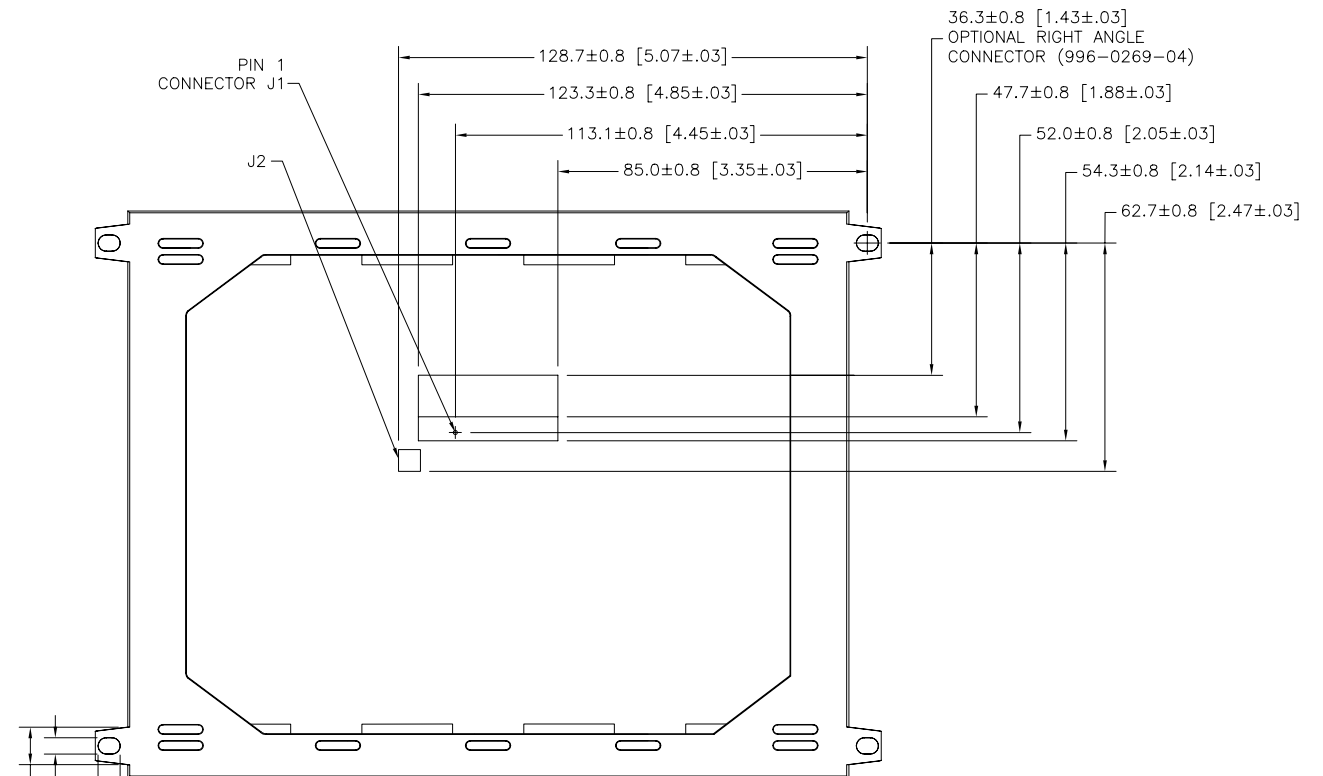
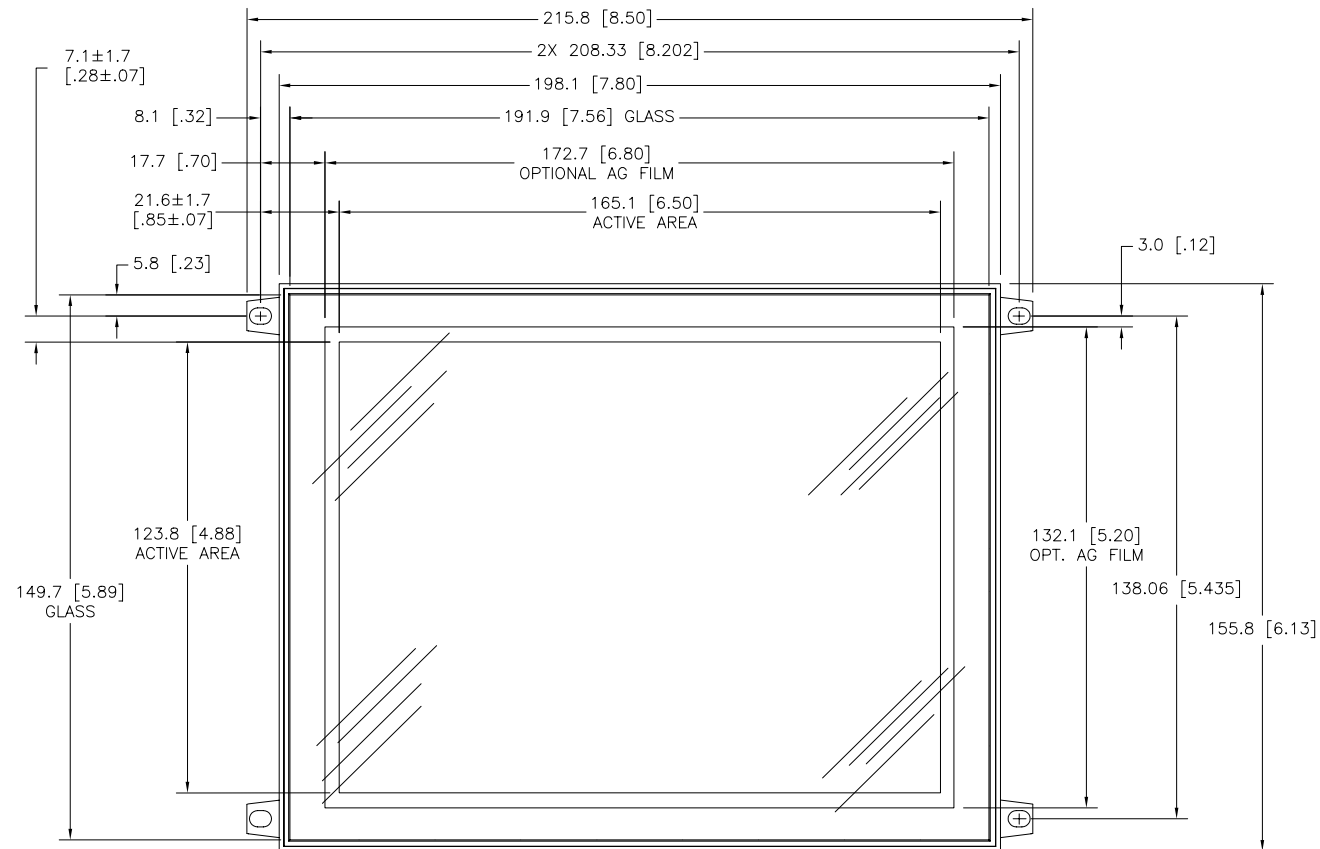

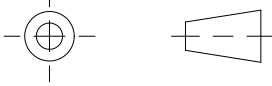


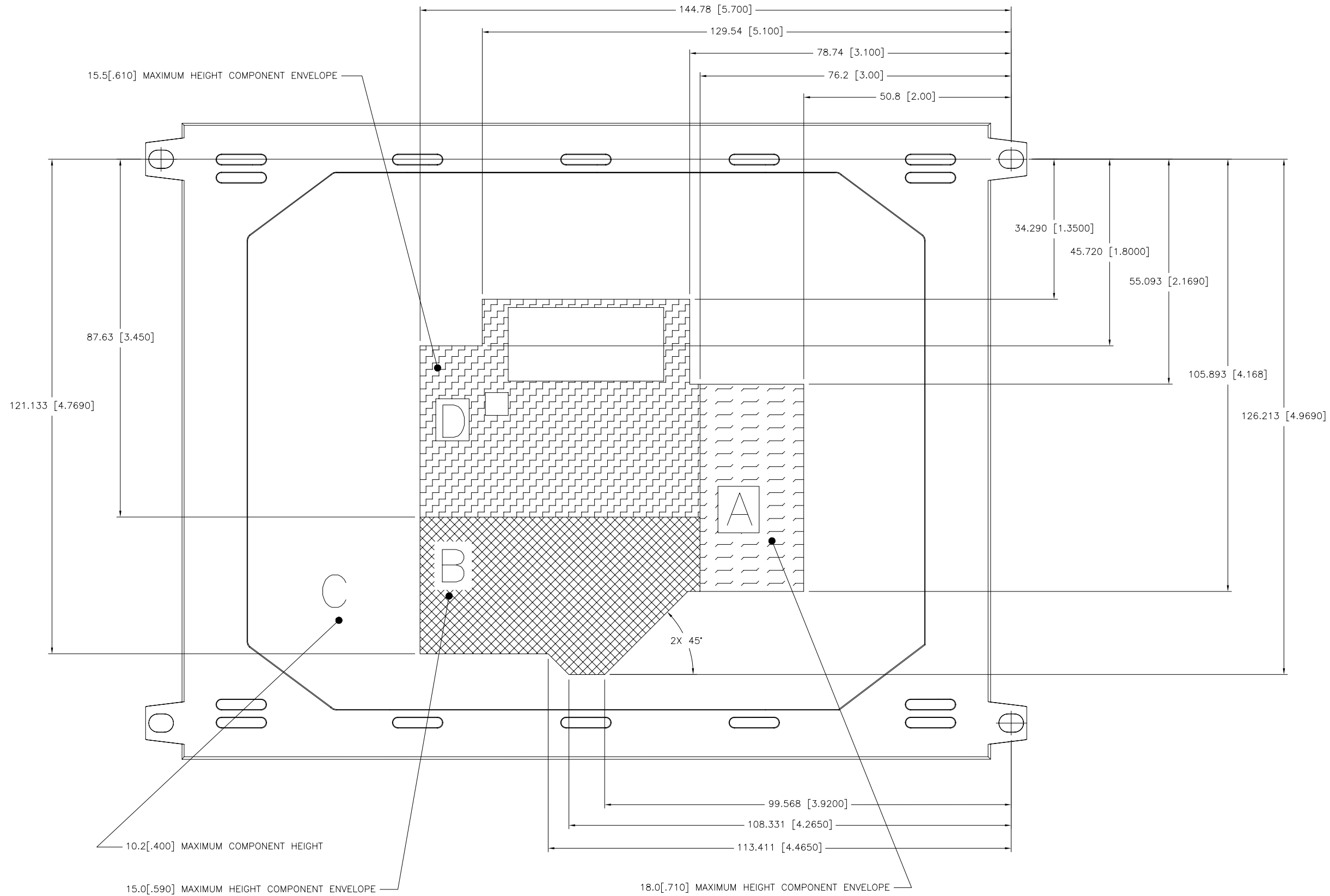
REVISIONS					
REV	REF	DESCRIPTION	DATE	REV BY	CHK BY
B	021-99	ADDED AG1 ET LP COMPONENT ENVELOPE, REMOVED CLEARANCE ENVELOPE	02/22/99	PAL	NAB
C	081-00	REMOVED P/N 996-0269-04 RIGHT ANGLE CONN, ADDED AG1 ET LP COMP. ENVELOPE INFO	07/28/00	G.HINES	DLW
D	014-01	CHANGED BEZEL THICKNESS	08/28/01	RD	--
E	ECO-1010	CHANGED OVER ALL PACKAGE THICKNESS TOL	1/27/03	CHP	
F	ECO-2015	UPDATE TITLEBLOCK	08/25/04	RD	



- NOTES: UNLESS OTHERWISE SPECIFIED
- DIMENSIONS IN MILLIMETERS, INCHES IN BRACKETS.
 - TOLERANCE: .X±.7MM [.03"], .XX±.15MM [.006"].
 - PANEL INFORMATION
 ACTIVE AREA: (165.1MM X 123.8MM)
 PIXEL MATRIX: 640 X 480
 PIXEL PITCH: .258MM X .258MM
 PIXEL SIZE: .197MM X .197MM
 FILL FACTOR: 57.4%
 DENSITY: 98.4 L.P.I.

UNLESS OTHERWISE SPECIFIED DIMENSIONS ARE IN MILLIMETERS.		ENGR BY PLANAR INTL	7/23/98	 PLANAR SYSTEMS 1195 NW COMPTON DRIVE BEAVERTON, OR 97006 USA	
TOLERANCES:		DRAWN BY P.LUTY	7/23/98		
X = -	.XX = -	CHECKED BY P.LEWIS	8/3/98	TITLE SPEC,MECH O/L,AG1 ET/AG1 ET LP	
.X = -	ANGLES = -	USED ON AG1 ET			
DIMENSIONING AND TOLERANCING PER ASME Y14.5M-1994		MATERIAL		SIZE B	PART NO. 996-0269-03/04
THIRD ANGLE PROJECTION		FINISH		DRAWING NO. 076-0350-00	REV F
		SCALE NONE		DO NOT SCALE	SHEET 1 OF 2

THIS DRAWING CONTAINS INFORMATION PROPRIETARY TO PLANAR SYSTEMS, INC., ANY REPRODUCTION IN PART OR WHOLE WITHOUT THE WRITTEN PERMISSION OF PLANAR SYSTEMS IS PROHIBITED. THIS DRAWING IS SUPPLIED FOR INFORMATION, IDENTIFICATION, ENGINEERING, EVALUATION, AND/OR INSPECTION PURPOSES ONLY AND MAY NOT BE USED AS BASIS FOR THE MANUFACTURING OF PRODUCTS OR THE FURNISHING OF SERVICES TO PLANAR SYSTEMS OR TO ANY THIRD PARTY UNLESS AUTHORIZED IN WRITING BY PLANAR SYSTEMS.



REAR VIEW
 COMPONENT ENVELOPE FOR 640.480AGI ET LP
 PCB COMPONENTS ARE MEASURED FROM FRONT OF GLASS

THIS DRAWING CONTAINS INFORMATION PROPRIETARY TO PLANAR SYSTEMS, INC.. ANY REPRODUCTION IN PART OR WHOLE WITHOUT THE WRITTEN PERMISSION OF PLANAR SYSTEMS IS PROHIBITED. THIS DRAWING IS SUPPLIED FOR INFORMATION, IDENTIFICATION, ENGINEERING, EVALUATION, AND/OR INSPECTION PURPOSES ONLY AND MAY NOT BE USED AS BASIS FOR THE MANUFACTURING OF PRODUCTS OR THE FURNISHING OF SERVICES TO PLANAR SYSTEMS OR TO ANY THIRD PARTY UNLESS AUTHORIZED IN WRITING BY PLANAR SYSTEMS.

SIZE	PART NO.	DRAWING NO.	REV
B	996-0269-03/04	076-0350-00	F
SCALE	NONE	DO NOT SCALE	SHEET 2 OF 2