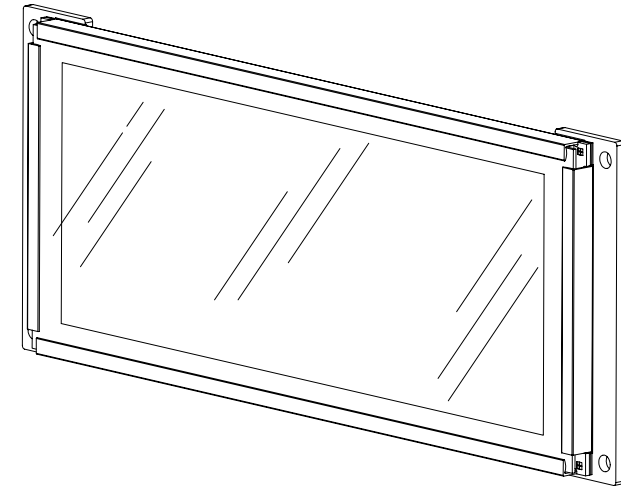
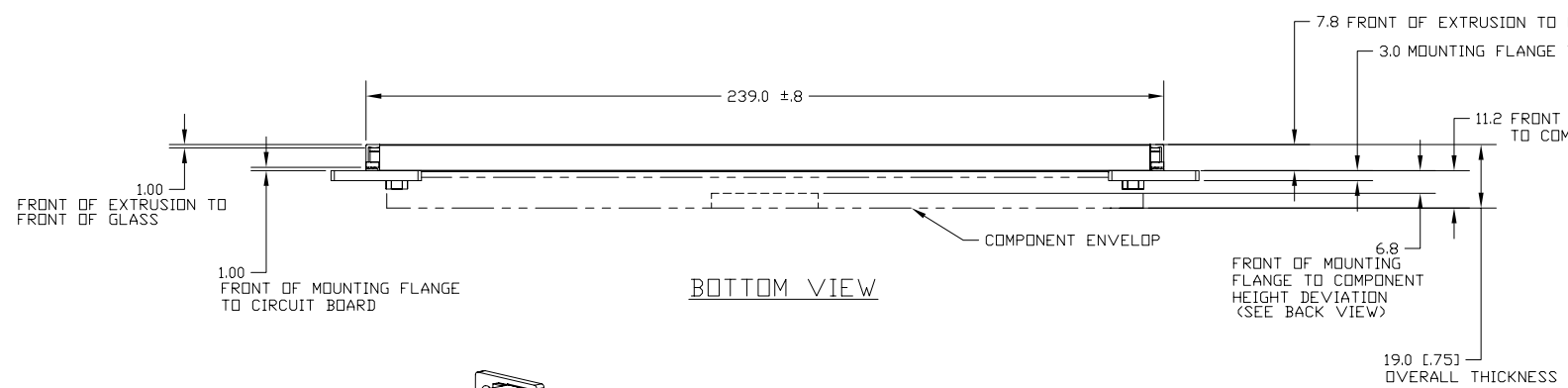
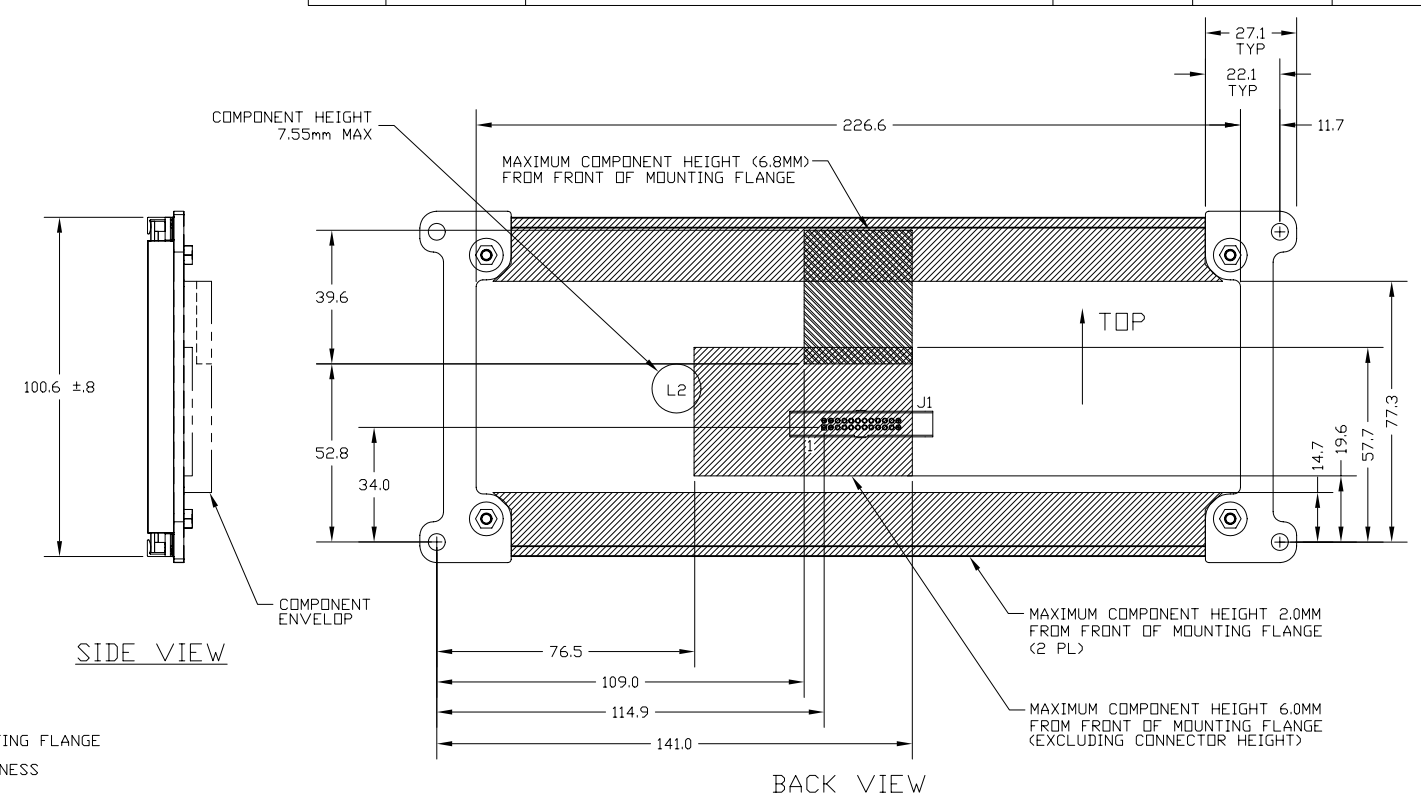
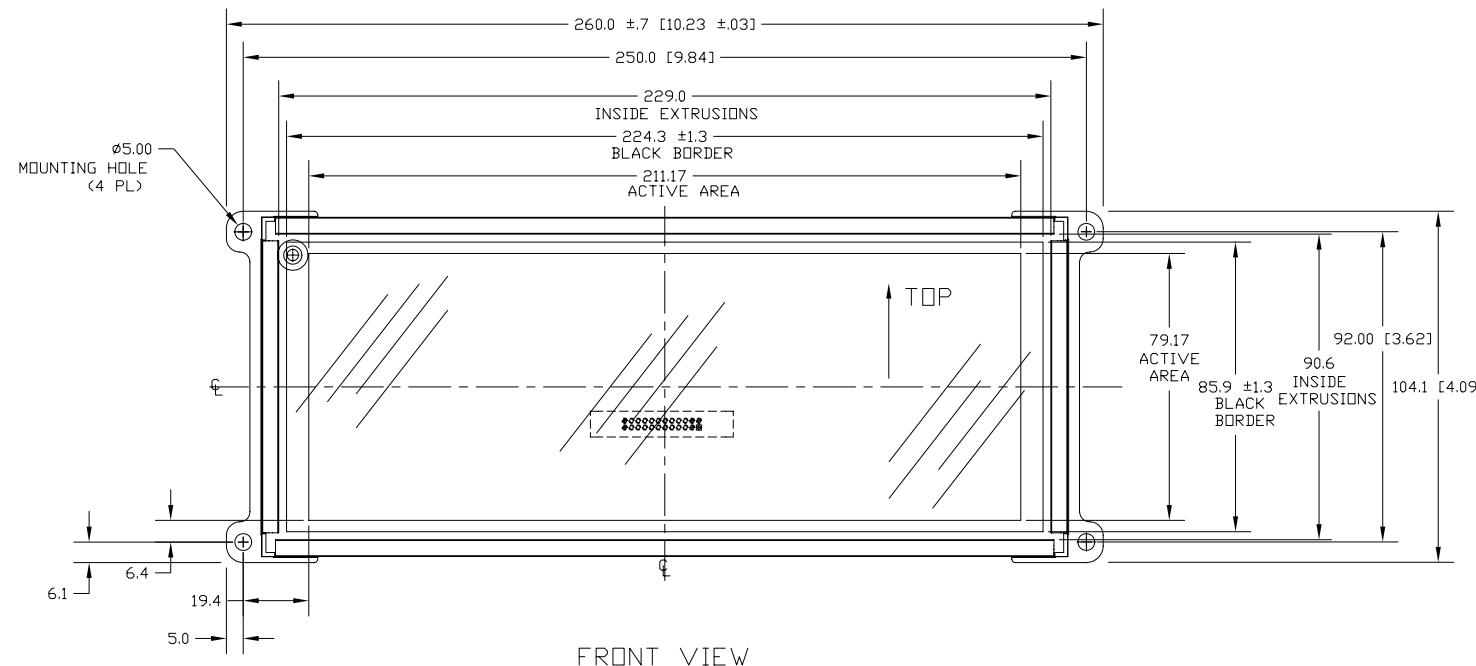


REVISIONS					
REV	REF	DESCRIPTION	DATE	REV BY	CHK BY
B	001	MODIFIED COMPONENT ENVELOP, REARRANGED VIEWS FOR CLARITY, CORRECTED PIN 1 LOC	10/03/97	PAL	MSK
C	121-98	CORRECTED BRACKET OUTLINE, ADDED COMPONENT HEIGHT 5.5MM DETAIL	10/22/98	PAL	-
D	056-01	ADD NOTE ON COMPONENT HEIGHT TO L2.	06-18-01	RD	-
E	ECO-2038	UPDATED TITLEBLOCK	09-01-04	RD	-



- NOTES: UNLESS OTHERWISE SPECIFIED
- DIMENSIONS IN MILLIMETERS, INCHES IN BRACKETS.
 - ACTIVE AREA: 640 COLUMNS X 200 ROWS
 PIXEL SIZE: COLUMN: .250mm
 ROW: .310mm
 PIXEL PITCH: COLUMN: .33mm
 ROW: .396mm
 DENSITY: COLUMN: 76.9 LPI
 ROW: 64.1 LPI
 FILL FACTOR: 59.3%

THIS DRAWING CONTAINS INFORMATION PROPRIETARY TO PLANAR SYSTEMS, INC. ANY REPRODUCTION IN PART OR WHOLE WITHOUT THE WRITTEN PERMISSION OF PLANAR SYSTEMS IS PROHIBITED. THIS DRAWING IS SUPPLIED FOR INFORMATION, IDENTIFICATION, ENGINEERING, EVALUATION, AND/OR INSPECTION PURPOSES ONLY AND MAY NOT BE USED AS BASIS FOR THE MANUFACTURING OF PRODUCTS OR THE FURNISHING OF SERVICES TO PLANAR SYSTEMS OR TO ANY THIRD PARTY UNLESS AUTHORIZED IN WRITING BY PLANAR SYSTEMS.

UNLESS OTHERWISE SPECIFIED DIMENSIONS ARE IN MILLIMETERS.		ENGR BY	P.LUTY	10/1/97
TOLERANCES:		DRAWN BY	P.LUTY	10/1/97
X = -	.XX = ±.25[.010]	CHECKED BY	MSK	10/2/97
.X = ±.5[.02]	ANGLES = -	USED ON	640.200-SK	
DIMENSIONING AND TOLERANCING PER ASME Y14.5M-1994		MATERIAL	N/A	
THIRD ANGLE PROJECTION		FINISH	N/A	

		PLANAR SYSTEMS 1195 NW COMPTON DRIVE BEAVERTON, OR 97006 USA	
		TITLE	
<h1>DWG, MECH O/L, EL640.200 SK</h1>			
SIZE	PART NO.	DRAWING NO.	REV
B	996-0290-00	076-0334-00	E
SCALE	NONE	DO NOT SCALE	SHEET 1 OF 1