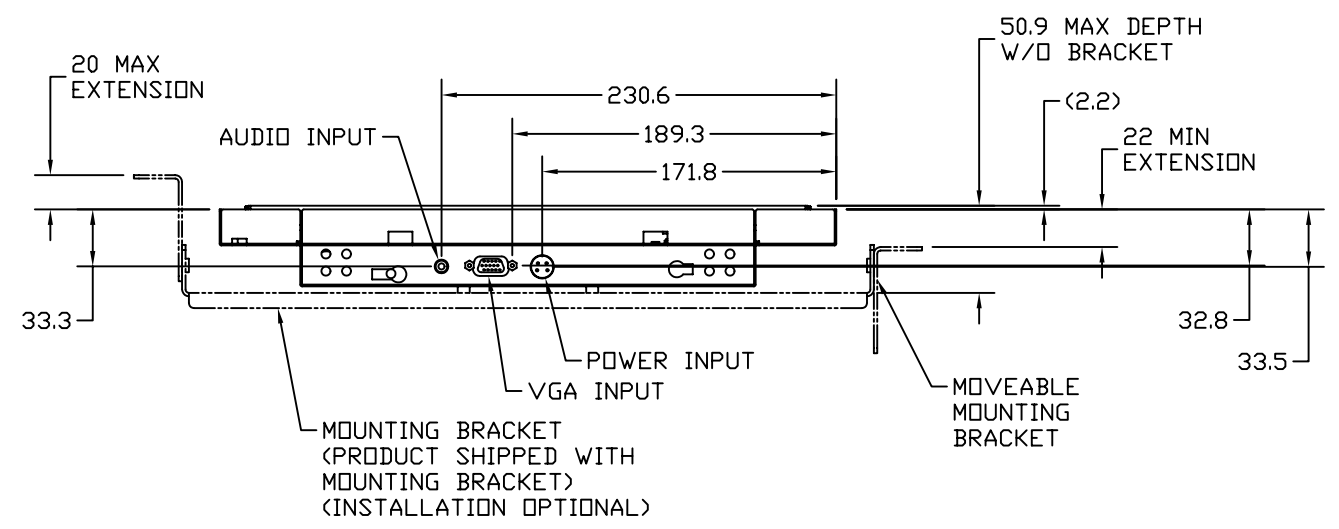
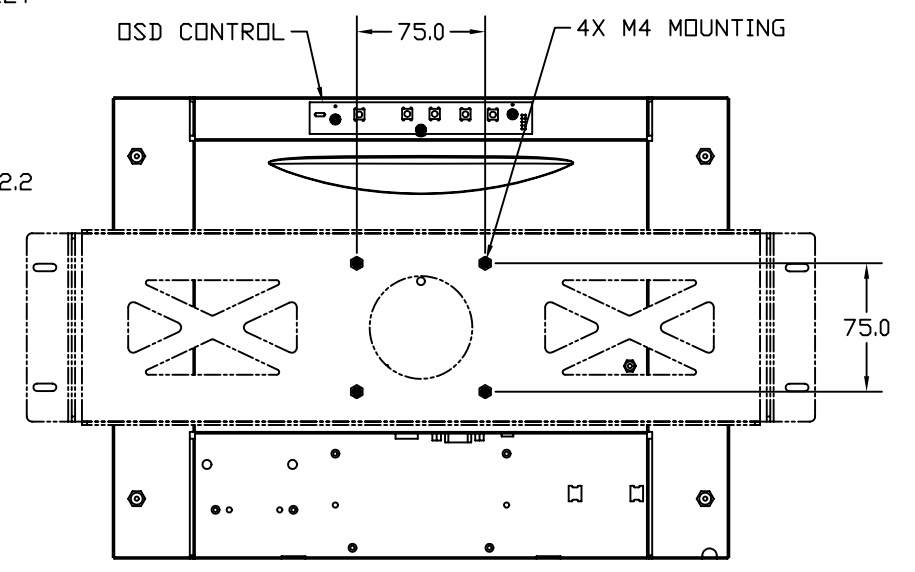
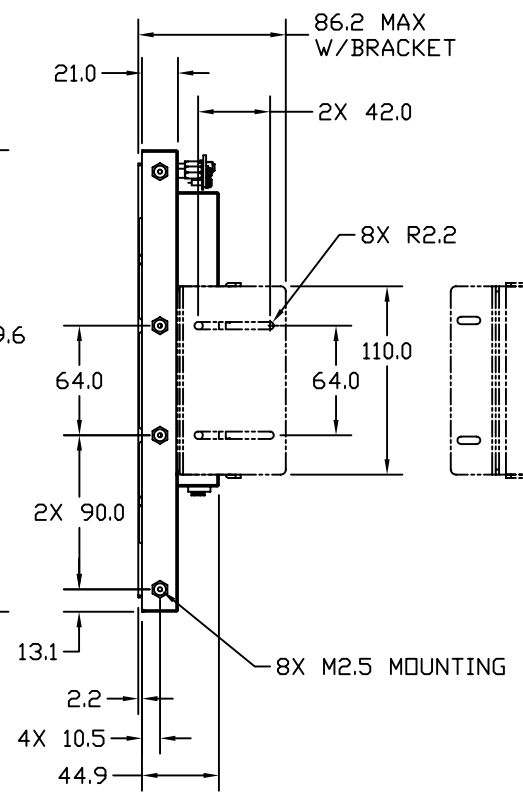
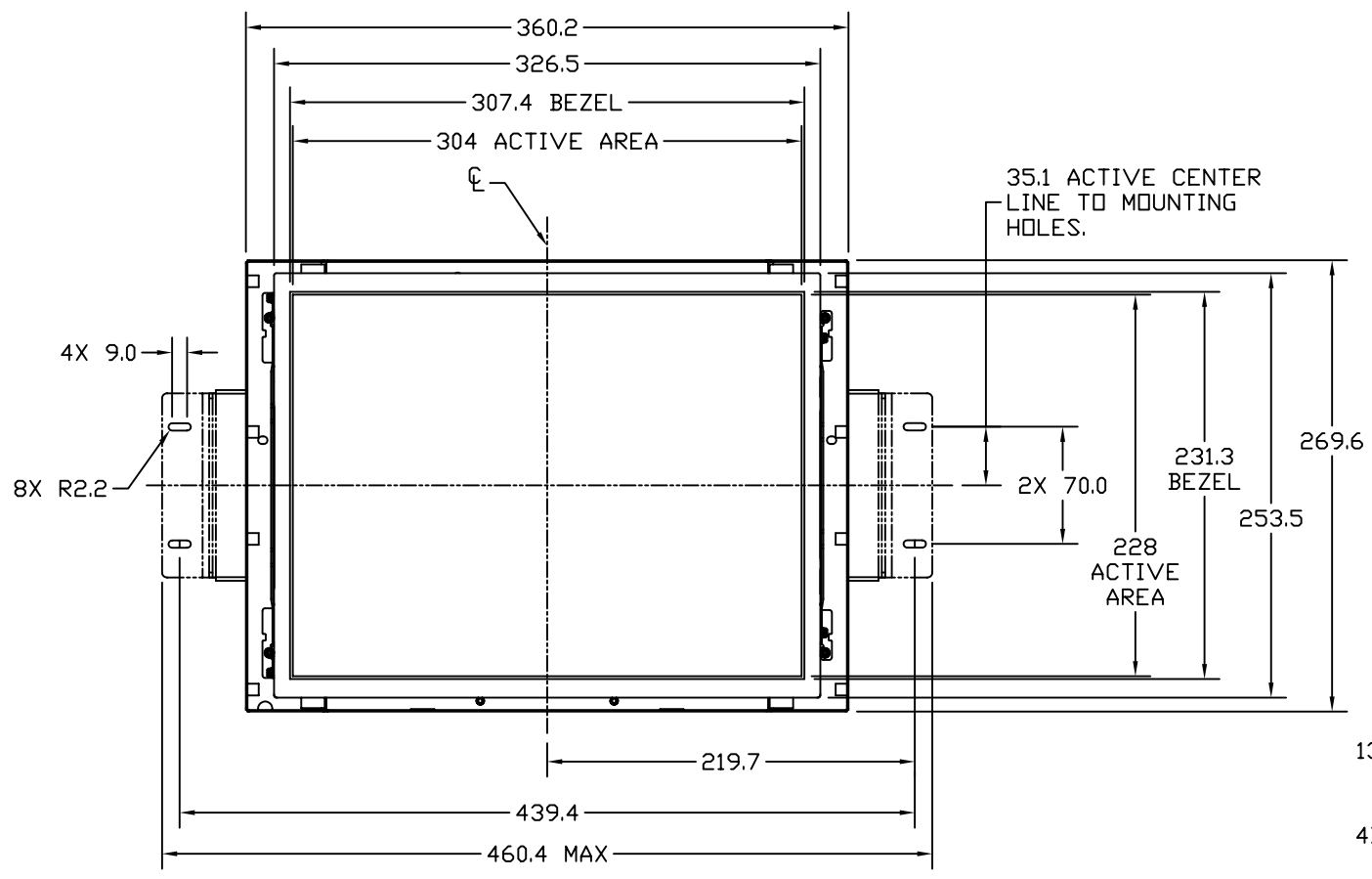


REVISIONS					
REV	REF	DESCRIPTION	DATE	REV BY	CHK BY
A	-	INITIAL RELEASE	03/07/06	RD	

- NOTES:
- LCD PANEL MODEL: AUD G150XG02.
 - PART IS RoHS COMPLIANT.



UNLESS OTHERWISE SPECIFIED DIMENSIONS ARE IN MILLIMETERS.		ENGR BY	--	-	 PLANAR SYSTEMS 1195 NW COMPTON DRIVE BEAVERTON, OR 97006 USA
TOLERANCES:		DRAWN BY	R.DAVENPORT	02/15/06	
X = ±1	.XX = ±.13	CHECKED BY	-	-	TITLE
.X = ±.5	ANGLES = ±1°	USED ON	997-3006-00LF (LB1500R)		MECH O/L LB1500R
DIMENSIONING AND TOLERANCING PER ASME Y14.5M-1994		MATERIAL	NA		SIZE
THIRD ANGLE PROJECTION		FINISH	NA		PART NO.
				DRAWING NO.	REV
				C	A
				SCALE	SHEET
				NONE	1 OF 1
				DO NOT SCALE	