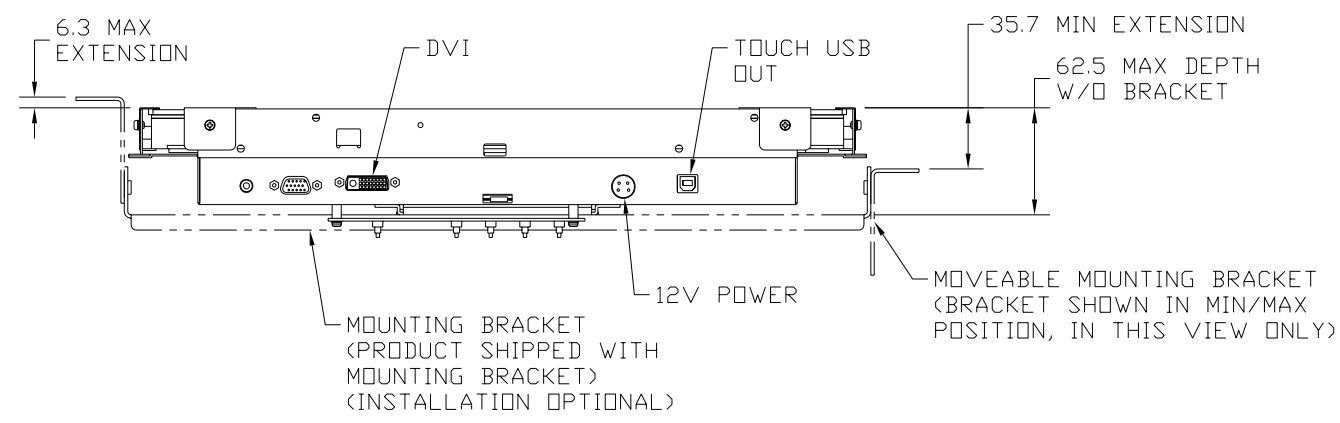
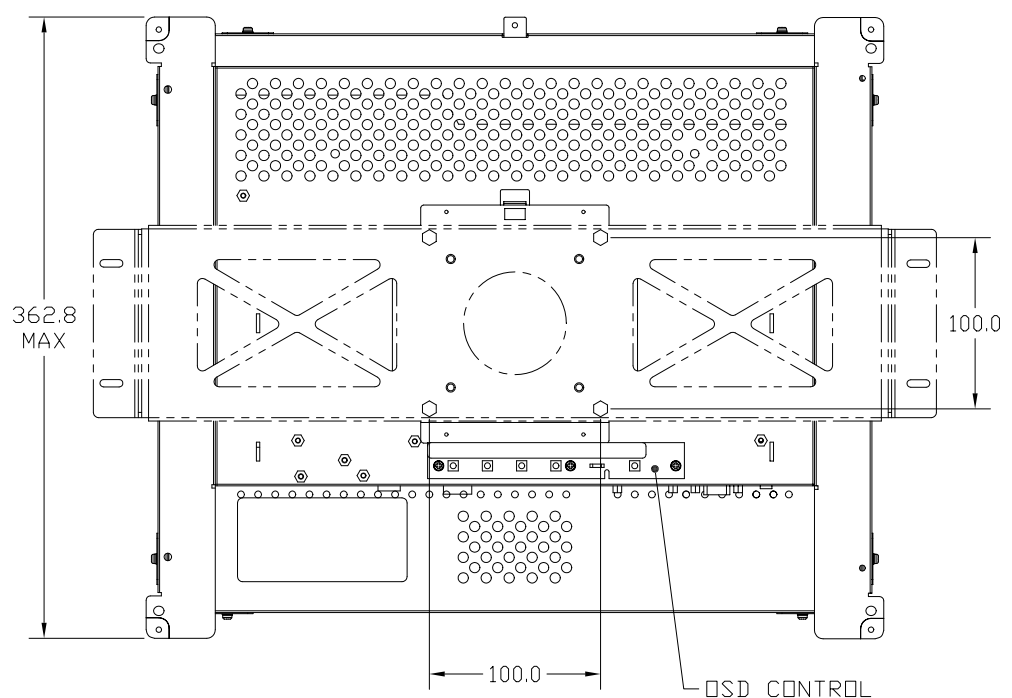
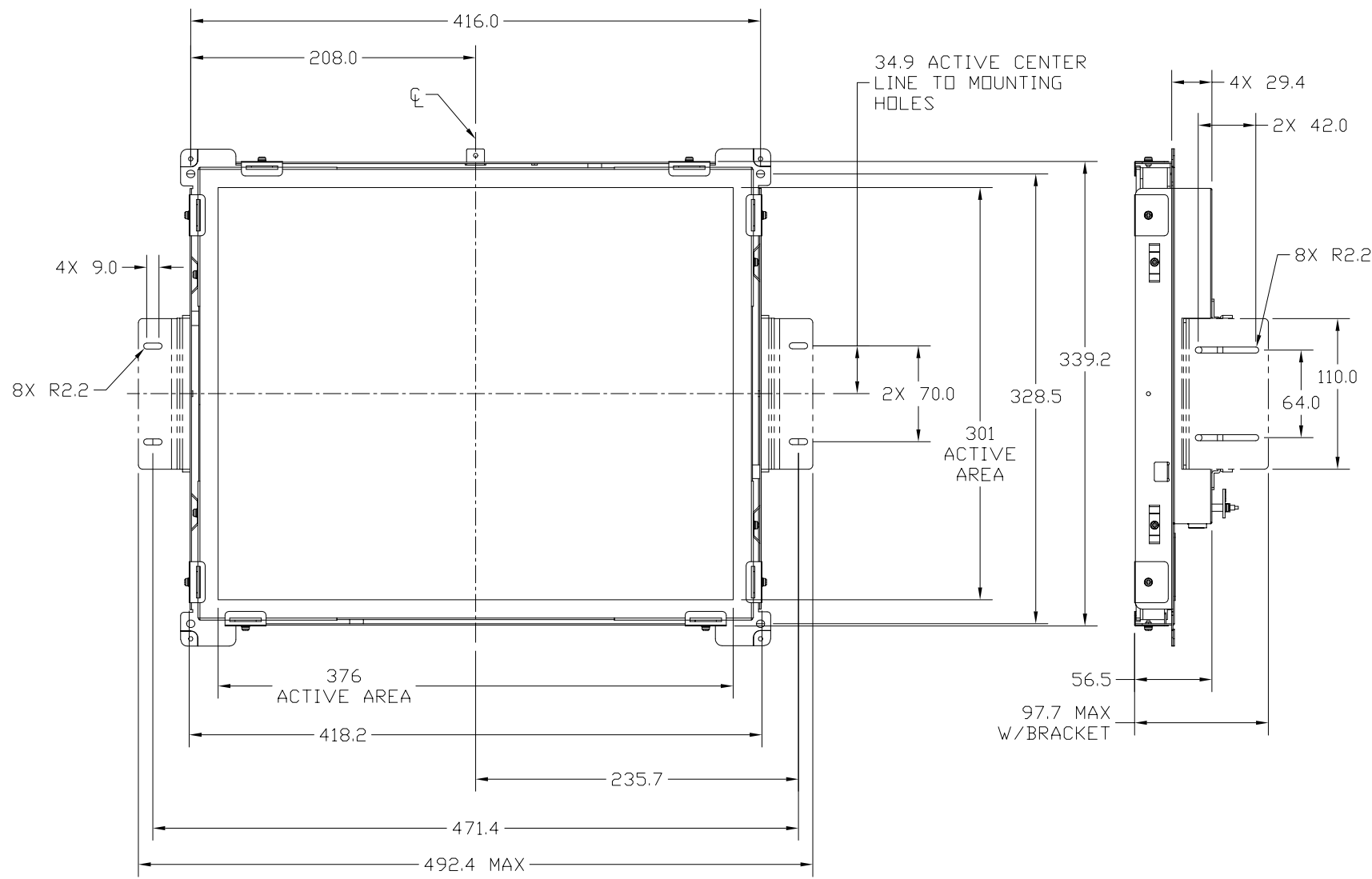


NOTES:
1. IGES FILE AVAILABLE UPON REQUEST.

REVISIONS					
REV	REF	DESCRIPTION	DATE	REV BY	CHK BY
B	ECO-1947	UPDATE MOUNTING BRACKET DIMENSIONS	06/28/04	RD	



UNLESS OTHERWISE SPECIFIED DIMENSIONS ARE IN MILLIMETERS.		ENGR BY	S.VAHLING	02/20/04	 PLANAR SYSTEMS 1195 NW COMPTON DRIVE BEAVERTON, OR 97006 USA
TOLERANCES:		DRAWN BY	R.DAVENTPORT	02/20/04	
X = ±1	.XX = ±.13	CHECKED BY	-	-	TITLE
.X = ±.5	ANGLES = ±1°	USED ON	1005801		MECH O/L LA1910RTC
DIMENSIONING AND TOLERANCING PER ASME Y14.5M-1994		MATERIAL	NA		SIZE
THIRD ANGLE PROJECTION		FINISH	NA		PART NO.
				DRAWING NO.	REV
				C	B
				997-2811-00	076-0586-00
				NONE	DO NOT SCALE
				SHEET 1 OF 1	