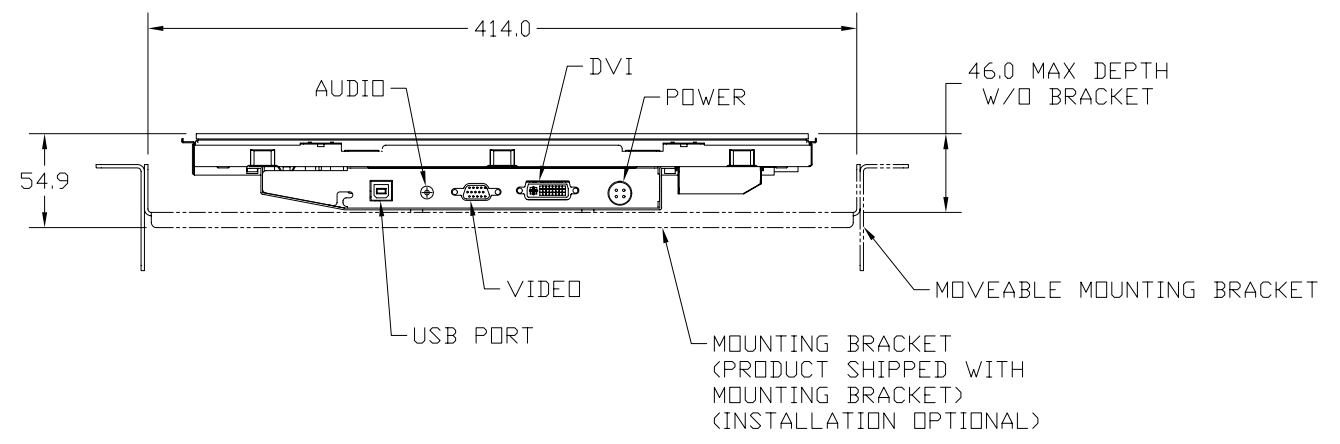
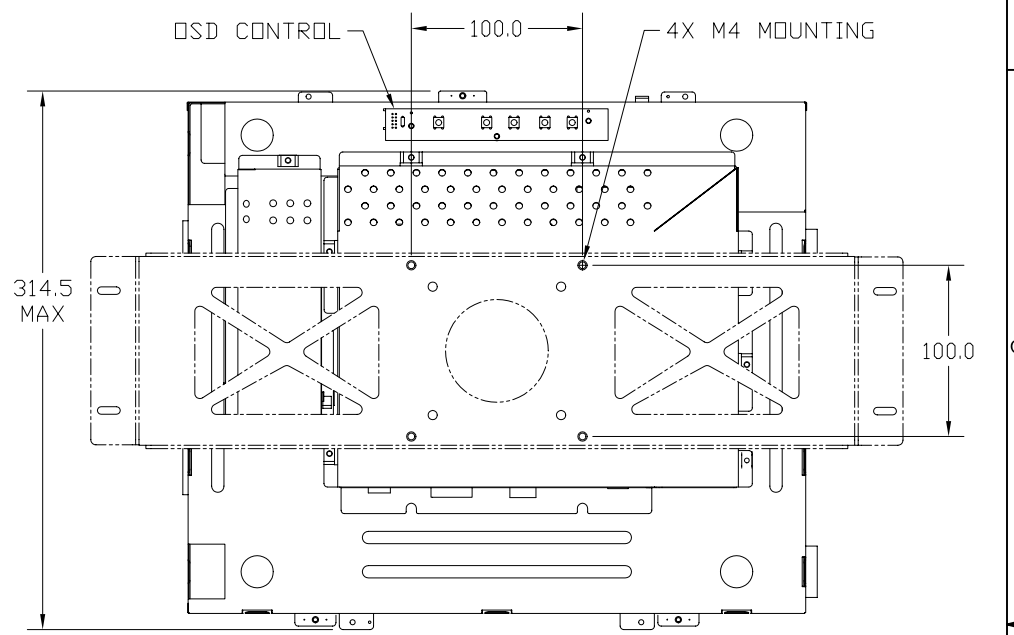
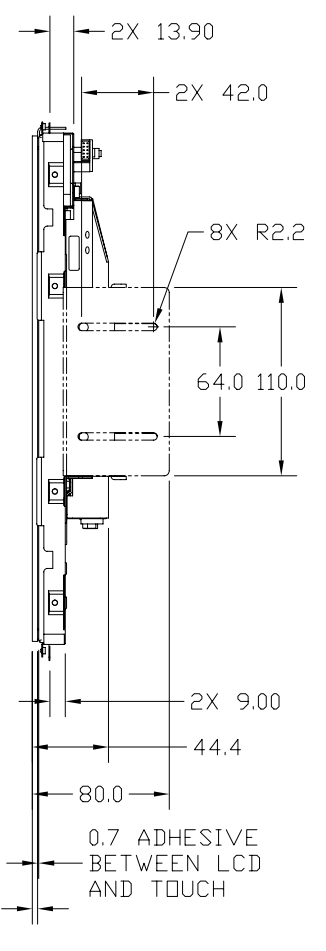
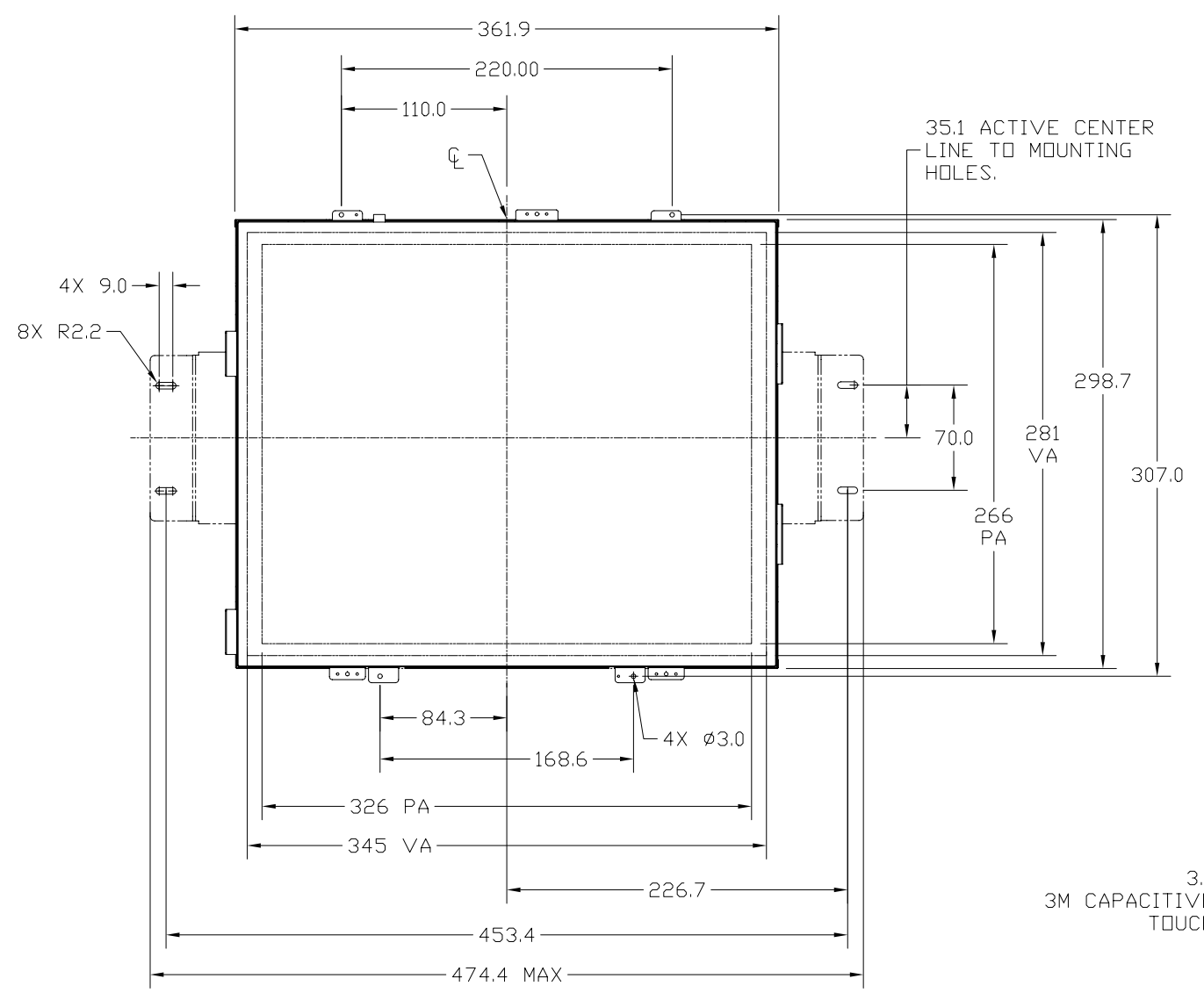


REVISIONS					
REV	REF	DESCRIPTION	DATE	REV BY	CHK BY

NOTES:
 1. PA = PRECISION AREA
 VA = VIEWING AREA



UNLESS OTHERWISE SPECIFIED DIMENSIONS ARE IN MILLIMETERS.		ENGR BY	PLANAR SYSTEMS 1195 NW COMPTON DRIVE BEAVERTON, OR 97006 USA	
TOLERANCES:		DRAWN BY R.DAVENTPORT	11/17/04	TITLE
X = ±1	.XX = ±.13	CHECKED BY	-	MECH O/L LA1710RTC
.X = ±.5	ANGLES = ±1°	USED ON	LA1710RTC	SIZE
DIMENSIONING AND TOLERANCING PER ASME Y14.5M-1994		MATERIAL	NA	PART NO.
THIRD ANGLE PROJECTION		FINISH	NA	DRAWING NO.
		SCALE		REV
		NONE DO NOT SCALE		A
		SHEET		1 OF 1

THIS DRAWING CONTAINS INFORMATION PROPRIETARY TO PLANAR SYSTEMS, INC. ANY REPRODUCTION IN PART OR WHOLE WITHOUT THE WRITTEN PERMISSION OF PLANAR SYSTEMS IS PROHIBITED. THIS DRAWING IS SUPPLIED FOR INFORMATION, IDENTIFICATION, ENGINEERING, EVALUATION, AND/OR INSPECTION PURPOSES ONLY AND MAY NOT BE USED AS BASIS FOR THE MANUFACTURING OF PRODUCTS OR THE FURNISHING OF SERVICES TO PLANAR SYSTEMS OR TO ANY THIRD PARTY UNLESS AUTHORIZED IN WRITING BY PLANAR SYSTEMS.