



**PXL2760MW**  
**LED LCD Monitor**

**USER'S GUIDE**

[www.planar.com](http://www.planar.com)

# Content

Operation Instructions.....	1
Safety Precautions.....	2
Package Overview.....	3
First Setup.....	4
Front View of the Product.....	5
Rear View of the Product.....	6
Quick Installation.....	7
Basic Operation.....	8
Advanced Operation—OSD Menu.....	10
Supporting Timing Modes.....	13
Technical Information.....	14
Wall-Mount Installation Instructions.....	15
Care and Maintenance.....	16
Troubleshooting.....	16
Planar Support.....	17

## Operation Instructions

Thank you for purchasing the PXL2760MW LED LCD monitor. Please read this guide thoroughly before installation.

### **FCC RADIO FREQUENCY INTERFERENCE STATEMENT WARNING: (FOR FCC CERTIFIED MODELS)**

This LED LCD Monitor has been tested and found compliant with the limits for a Class B digital device, pursuant to part 15 of the FCC Rules. These limits are designed to provide proper protection against harmful interference to a residential installation. This LED LCD Monitor generates, uses, and can radiate radio frequency energy. Harmful interference to radio communication may be the result if it's not properly installed and used. However, there is no guarantee that interference will not occur in a particular installation. If this LED LCD Monitor does cause serious interference to radio or television reception, resetting may correct it. Moreover, users are encouraged to reduce interference by doing one or more of the following:

- Reorient or relocate the receiving antenna.
- Move the LED LCD Monitor and the receiver further away from each other.
- Connect the LED LCD Monitor into an outlet on a circuit different from that to which the receiver is connected.
- Consult your local dealer or a qualified technician.

#### **FCC Warning:**

To assure a continued FCC compliance, a user must use a grounded power supply cord and the provided shielded video interface cable with bonded ferrite cores. Also, any unauthorized changes or modifications to this LED LCD Monitor would void the user's authority to operate this device.

**Note:** If necessary, shielded interface cables and AC power cord must be used to meet the emission level limits.



According to WEEE regulation, this LED LCD Monitor can't be handled as normal trash in Europe when it is out of usage. Please refer to the recycle information on Planar's website to handle it.

For more information on how to recycle your product, please visit [WWW.PLANARSYSTEMS.COM/GREEN](http://WWW.PLANARSYSTEMS.COM/GREEN)

## **Safety Precautions**

Follow all warnings, precautions and maintenance as recommended in this user's manual to maximize the life of your unit.

### **Do:**

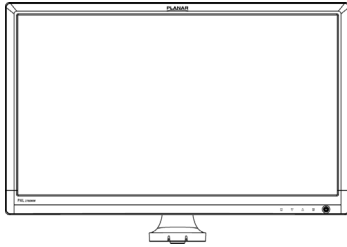
- Turn off the product before cleaning.
- LED Display screen surface may be cleaned using a soft clean cloth moistened with mild window glass commercial cleaners or 50/50 mixture of water and isopropyl alcohol.
- Use a soft cloth moistened with mild detergent to clean the display housing.
- Disconnect the power plug from AC outlet if the product is not going to be used for an extended period of time.

### **Don't:**

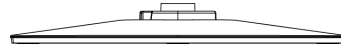
- Do not touch the LED Display screen surface with sharp or hard objects.
- Do not use abrasive cleaners, waxes or solvents for your cleaning.
- Do not operate the product under the following conditions:
  - Extremely hot, cold or humid environment.
  - Areas susceptible to excessive dust and dirt.
  - Near any appliance generating a strong magnetic field.
  - In direct sunlight.
- If smoke, abnormal noise or odor emits from your LED LCD Monitor, remove the power cord immediately and call your service center.
- Never remove the rear cover of your LED LCD Monitor. The display unit inside contains high-voltage parts and may cause electric shock.
- Never try to repair your LED LCD Monitor yourself. Always call your service center or a qualified technician to fix it.
- Due to safety concerns, if the VESA mounting kit is purchased separately, please make sure the mounting kit is UL-listed, and replaceable only by service personnel.

## Package Overview

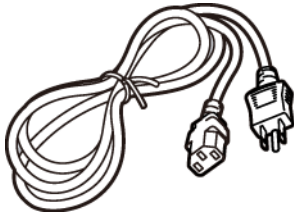
Congratulations on your purchase of this high performance LED edge lit, LCD monitor. This LED LCD Monitor comes with the following accessories:



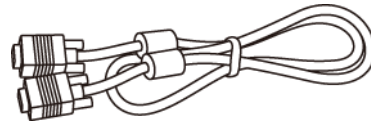
LED LCD Monitor



Base



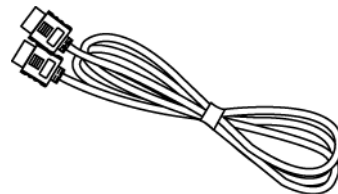
Power Cord



VGA Signal Cable



Audio-in Cable



HDMI Cable

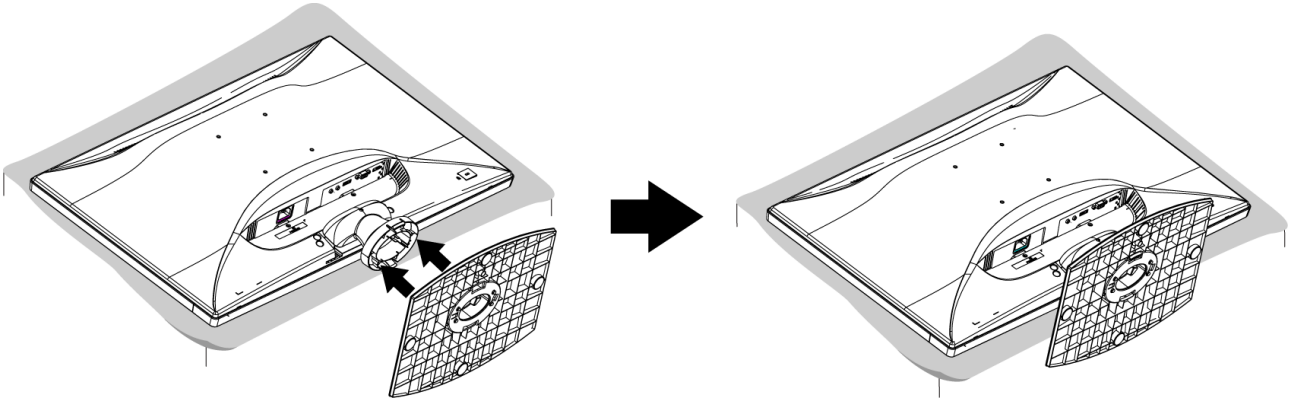


User's Guide

## First Setup

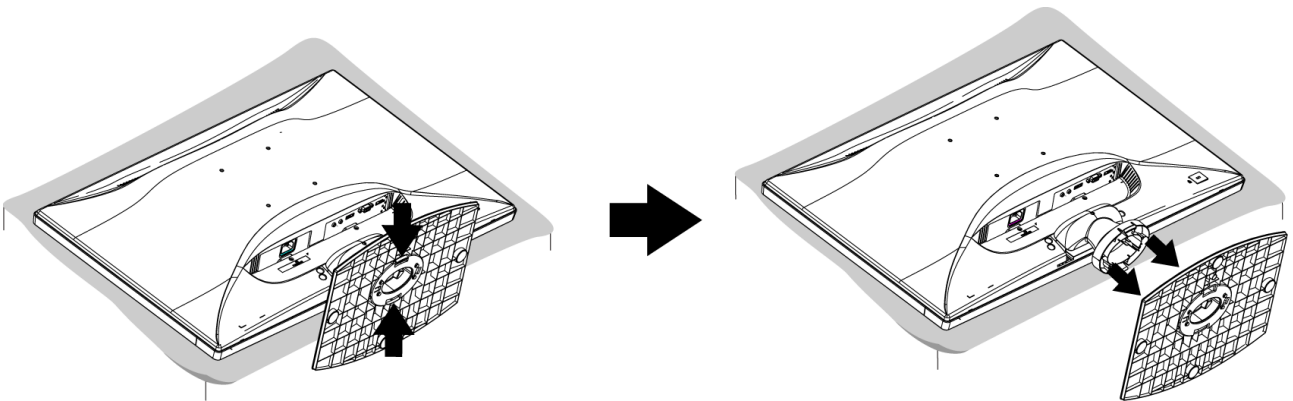
### Install the stand base

1. Lay the LED LCD Monitor flat on a table with the LED screen face down. To prevent the monitor from being scratched, put a piece of soft cloth on the table on which the screen will be set.
2. Unpack the base, one hand hold the monitor, the other hand attach the base to the stand.
3. Stand the LED LCD Monitor up.

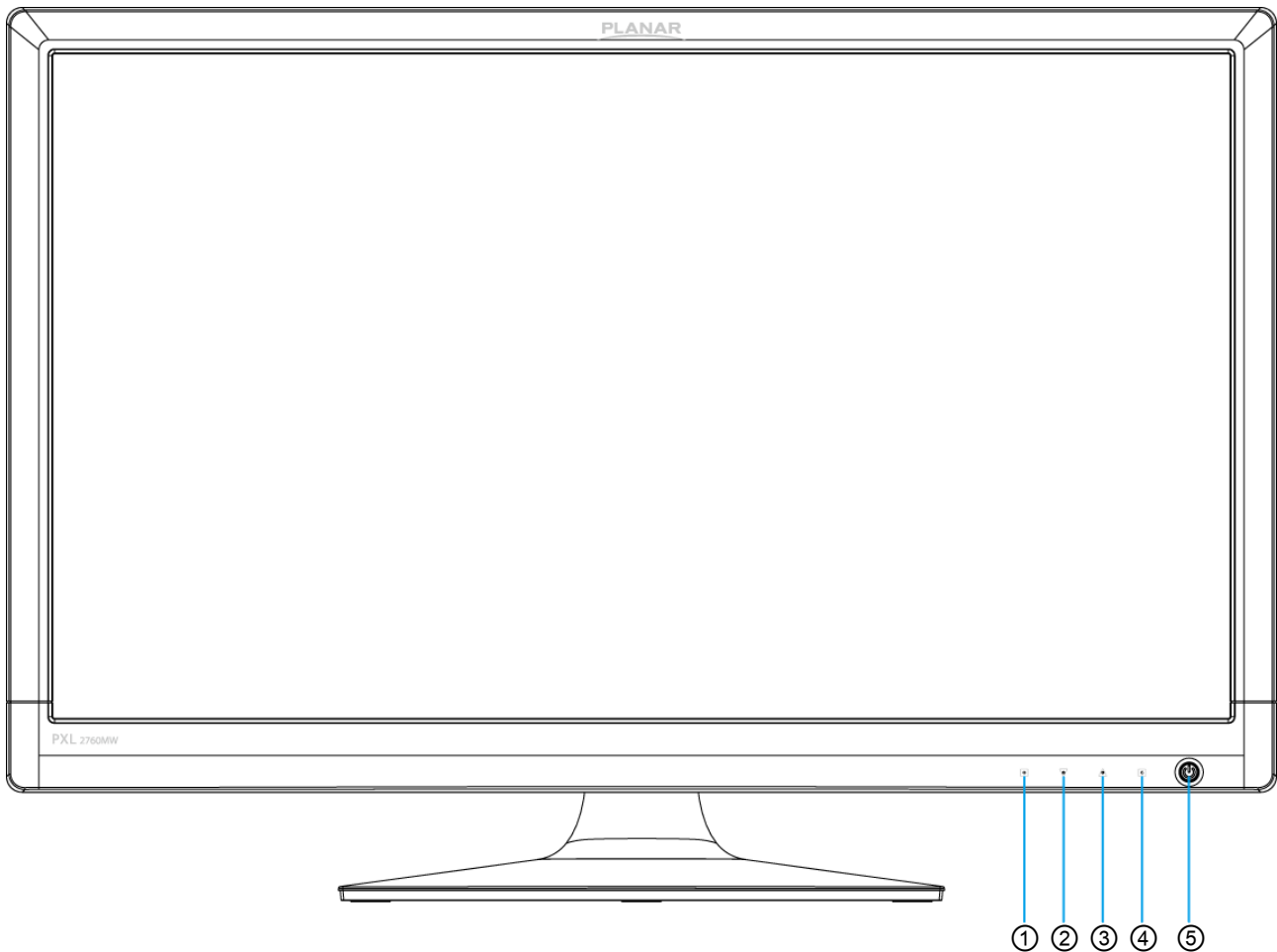


### Disconnecting the stand base

1. Lay the LED LCD Monitor flat on a table with the LED screen face down. To prevent the LED LCD Monitor from being scratched, put a piece of soft cloth on the table on which the screen will be set.
2. Hold the monitor down with one hand. With the other hand, use two fingers to press the hooks down as directed below.
3. Remove the base from the stand.



## Front View of the Product



①	OSD Turn On/ Off
②	Scroll Down/ Adjust Decrease/ Picture Mode/ Auto *
③	Scroll UP/ Adjust Increase/ Audio Adjust/ Mute *
④	Input select/ Confirm Selection
⑤	Power On/Off / LED Indicator

\* Hot keys Instructions please see "Using the OSD Menu" on page 7.

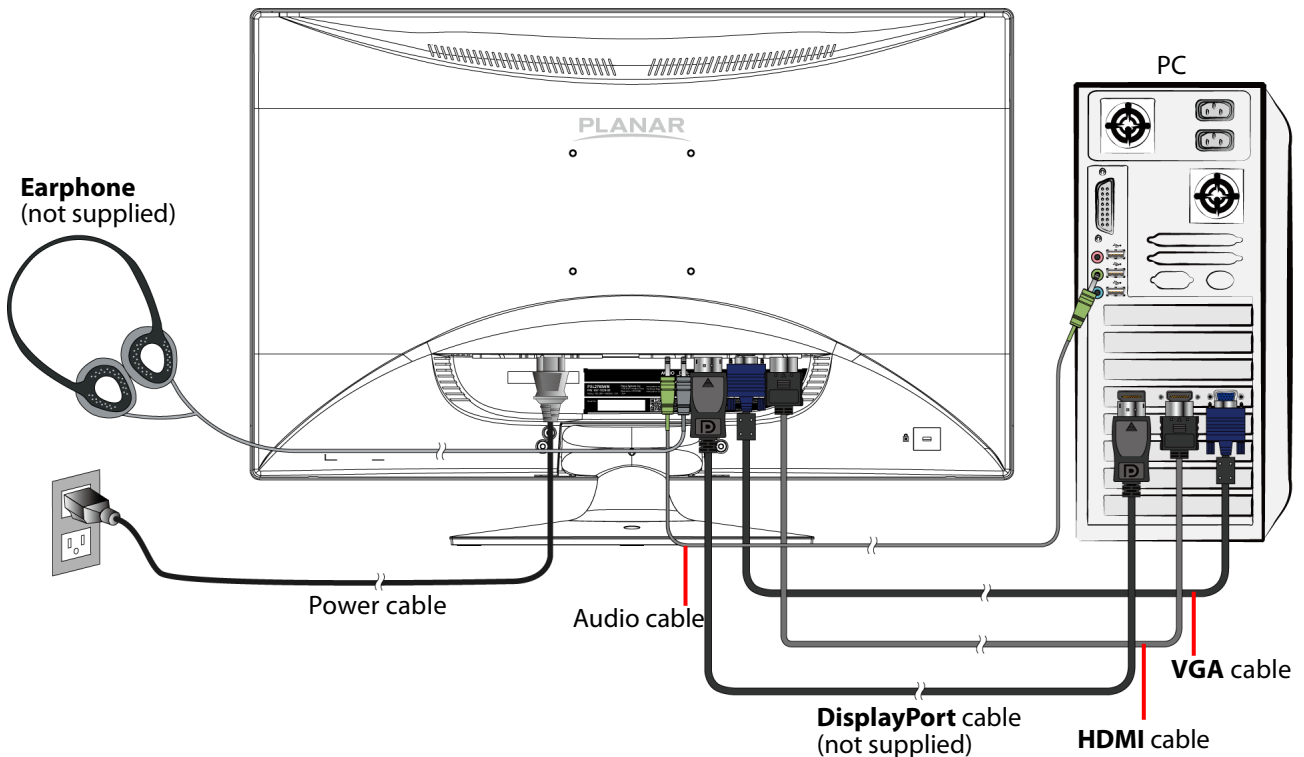




## Quick Installation

1. Connect either VGA, HDMI or DisplayPort Video Source from the monitor to the computer. Make sure both monitor and computer are powered OFF. Please note: The monitor ships with only VGA and HDMI cables. DisplayPort cable may be sourced separately from a cable supplier.
2. Connect the audio cable from audio output of computer to the audio input of the monitor.
3. Connect the earphone to the earphone output terminal of the monitor. (Earphone sold separately).
4. Connect power cord to a properly grounded AC outlet, and then to the monitor.
5. Power-ON computer and then POWER-ON the monitor.
6. Set the timing mode on your computer. Recommended resolution and refresh rate is 1920 x 1080 @ 60Hz.

Figure 1:




## Basic Operation

Before using the LED LCD Monitor:

- Connect external equipment properly.
- Insert the power plug, and the power LED indicator will light orange.





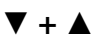
### Power On/Off

To turn the LED LCD Monitor on/off:

Press  Power button on the front of LED LCD Monitor. The power LED indicator light will be blue when the LED LCD Monitor is on.

### Using the OSD Menu

Use OSD menus to adjust settings by using the menu button on the front of the LED LCD Monitor.

	Displays main menu
	Selects between VGA, HDMI, DisplayPort or Auto mode
	Exits from OSD menu
	Select the desired item when in OSD menu
	When not in OSD menu, directly enters Picture Mode, press 3 seconds activates Auto Image Adjust.
	Select the desired item when in OSD menu
	When not in OSD menu, directly enters Audio Adjust menu, press 3 seconds enters Mute mode.
	Recalls both Contrast and Brightness (when not in OSD menu)

### OSD Lock Out Function

When LED LCD Monitor is in normal mode, the “OSD Lock Out” function can be enabled.

**Option 1:** OSD lock – all 4 buttons are locked except the “POWER” button.

Press and hold the  button and the  button for 5 seconds to lock the OSD buttons.

The LED LCD Monitor will show an “Locking OSD” message for 3 seconds and the message will disappear automatically.



Locking OSD

Repeat this step to unlock.

**Option 2:** OSD & Power button lock – all 5 buttons including the “POWER” button are locked. Press and hold the **1** button and the ▼ button for 5 seconds to lock all 5 buttons.


The LED LCD Monitor will show a “Locking Power Button” message for 3 seconds and the message will disappear automatically.

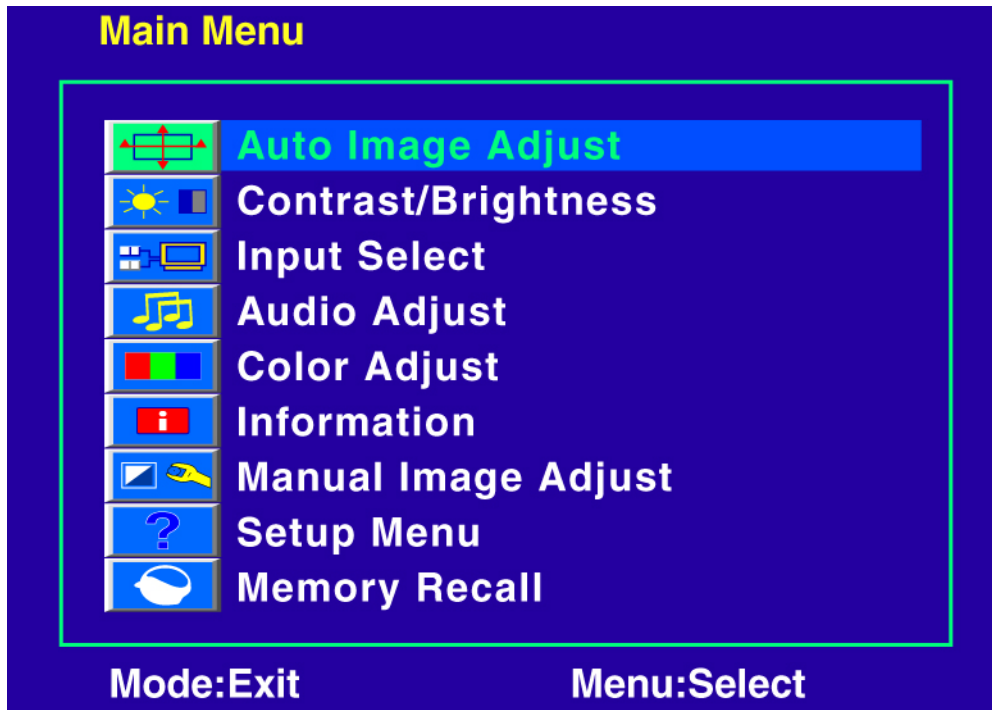


Repeat this step to unlock.

## Advanced Operation—OSD Menu

You can use the OSD menu to adjust various settings for your LED LCD Monitor.

Press the  button to display the OSD Menu, and use ▼ or ▲ to select the desired OSD menu.



### Short Cuts Function from the button(s)



**Auto Image Adjust:** To auto adjust Horizontal Position, Vertical Position, Phase (Fine Tune) and Clock (H. Size) of the screen.



**Contrast:** To adjust the foreground white level of screen image.  
▲: increase contrast, ▲: decrease contrast.



**Brightness:** To adjust the luminance of the video.  
▲: increase brightness, ▲: decrease brightness.

**ECO Mode:** Allows the user to change the ECO mode. Contrast and Brightness adjustment will be disabled when ECO is active.  
Press ▲ or ▲ key to adjust the ECO Mode in three levels.

**Over Drive:** Allows the user to change the Over Drive strength. Improve the quality of the motion pictures.  
Press ▲ or ▲ key to adjust the Over Drive strength in five levels.



**Input Select:** When Input Select is pressed, change Input signal to VGA, HDMI, DisplayPort or Auto.



**Audio Adjust:** To adjust the audio functions.

**Volume:** To adjust the volume of speaker output.

**Mute:** To turn the Mute ON/OFF.

**Audio:** When in HDMI input, select where the audio source comes from Line-In or HDMI.

**DisplayPort Audio:** When in DisplayPort input, select where the audio source comes from Line-In or Display Port.



**Color Adjust:** To select the color for improving brightness and color saturation between Cool, Normal, Warm, User Color, and Picture Mode.

**Cool:** Adds blue to screen image for cooler white.

**Normal:** Adds red to screen image for warmer white and richer red.

**Warm:** Adds green to screen image for a darker color.

**User Color:** Individual adjustments for red (R), green (G), blue (B).

1. Press button **2** to select the desired color.
2. Press **▲** or **▲** button to adjust selected color.

**Picture Mode:** Provides an optimum display environment depending on the contents displayed. It contains 4 user-selectable presets.

- **Standard** is for general windows environment and monitor default setting.
- **Game** optimized for PC game environment.
- **Cinema** optimized for movie and video environment.
- **Text** optimized for text editing and viewing in a word processing environment.



**Information:** To display the information, regarding the current input signal coming from the graphic card in your computer.

**Note:** See your graphic card user guide for more information about changing the resolution and refresh rate.



**Manual Image Adjust:** To manually adjust the Clock, H./V. position, Phase, and Sharpness.



**Clock:** To adjust the width of the screen image.

**▲:** decrease the width of screen image, **▲:** increase the width of screen image.



**H./V. Position:** To adjust the horizontal and vertical position of the video.

**H. Position:** **▲:** move screen to the right, **▲:** move screen to the left.

**V. Position:** **▲:** move screen up, **▲:** move screen down.



**Phase:** To adjust the delay time of data and clock.

Press **▲** or **▲** to adjust to your preference.



**Sharpness:** To adjust the clarity of a non-Full HD Resolution (1920x1080) signal with ▲ or ▲ button.



**Setup Menu:** To set up Language Select, OSD Position, OSD Time Out, OSD Background and LED mode.



**Language Select:** To allow users to choose from available languages.



**OSD Position:** Press ▲ or ▲ button to select between horizontal and vertical OSD Position adjustment.

**H. Position:** To horizontally adjust the OSD position.

▲: move OSD to the right, ▲: move OSD to the left.

**V. Position:** To vertically adjust the OSD position.

▲: move OSD up, ▲: move OSD down.



**OSD Time Out:** To automatically turn off On Screen Display (OSD) after a preset period of time.



**OSD Background:** Allows the user to turn the OSD background On or Off.



**LED:** Allows the user to turn the LED Indicator On or Off.



**Memory Recall:** To recall factory settings for Video & Audio controls. Press button **2** to select the Memory Recall menu option.

## Supporting Timing Modes

STANDARD	RESOLUTION
VGA	720 x 400 @ 70Hz
VGA	640 x 480 @ 60Hz
MAC	640 x 480 @ 67Hz
VESA	640 x 480 @ 72Hz
VESA	640 x 480 @ 75Hz
VESA	800 x 600 @ 56Hz
VESA	800 x 600 @ 60Hz
VESA	800 x 600 @ 72Hz
VESA	800 x 600 @ 75Hz
MAC	832 x 624 @ 75Hz
VESA	1024 x 768 @ 60Hz
VESA	1024 x 768 @ 70Hz
VESA	1024 x 768 @ 75Hz
VESA	1280 x 960 @ 60Hz
VESA	1152 x 864 @ 75Hz
MAC	1152 x 870 @ 75Hz
VESA	1280 x 1024 @ 60Hz
VESA	1280 x 1024 @ 75Hz
VESA	1440 x 900 @ 60Hz
VESA	1440 x 900 @ 75Hz
CVT	1400 x 1050 @ 60Hz
VESA	1600 x 1200 @ 60Hz
VESA	1680 x 1050 @ 60Hz
VESA	1920 x 1080 @ 60Hz

**Note:**

1. HDMI and DisplayPort supports 480i, 480p, 576i, 576p, 720p, 1080i, and 1080p.
2. Simultaneously press **1** and **2** keys on monitor panel to switch between similar PC timings.

**Similar PC Timing on list below:**

- 720 x 400 @ 70Hz / 640 x 400 @ 70Hz
- 720 x 480 @ 60Hz / 640 x 480 @ 60Hz
- 1400 x 1050 @ 60Hz / 1680 x 1050 @ 60Hz

**Warning:** Do not set the graphic card in your computer to exceed these maximum refresh rates. Doing so may result in permanent damage to your LED LCD Monitor.

## Technical Information

<b>Panel</b>	27" TFT (with LED backlight)
<b>Power Management</b>	On: 40 Watts (typical), 50 Watts (maximum) Standby Mode: < 0.5 Watt Off: < 0.5 Watt
<b>Displayable Resolution</b>	Full HD 1920 x 1080 max. Vertical Frequency 60Hz max.
<b>Pixel Dimension</b>	0.3114 x 0.3114 mm
<b>Display Color</b>	16.7M
<b>Tilt</b>	0°~20° (±2°)
<b>Active Display Area</b>	597.89 mm x 336.31 mm
<b>Temperature</b>	Operating: 0°C ~ +40°C Storage: -20°C ~ + 60°C
<b>Compliance</b>	FCC-B, CE, UL/cUL
<b>Power</b>	Input Voltage AC100-240 V
<b>Speaker</b>	3W x 2 (typical)



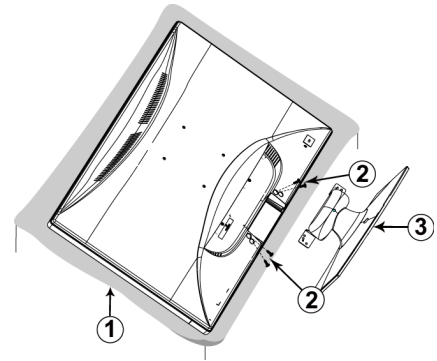
## Wall-Mount Installation Instructions

### Preparing To Install The Optional Wall Mount Arm (not included)

This LED LCD Monitor can be attached to a wall mounting arm you can purchase separately.

Turn the power OFF then disconnect the cables from the LED LCD Monitor before performing the procedure below.

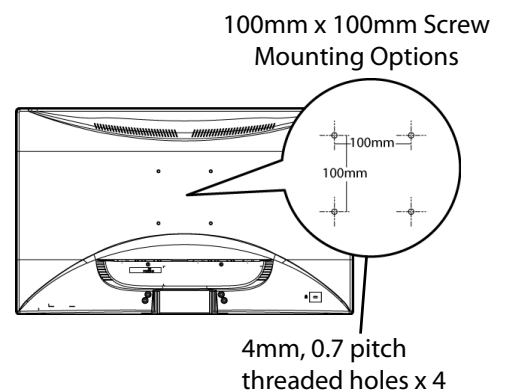
1. Lay the LED LCD Monitor face down on a soft surface.
2. Remove the 4 screws holding the stand to the hinge.
3. Remove the stand.



### Attaching The Optional Wall Mount Arm (not supplied)

Follow these steps to finish installing the wall mounting arm:

1. Place the wall mounting arm onto the back of the LED LCD Monitor. Line up the holes of the arm with the holes in the back of the monitor.
2. Insert the 4 screws into the holes and tighten.
3. Reconnect the cables. Refer to the User's Guide that came with the optional wall mounting arm for instructions on attaching it to the wall.



### NOTE

- 100mmx100mm VESA high hole (n=4), M4, pitch =0.7 mm screw mounting kit not included.

## Care and Maintenance

### Care

- Avoid exposing your LED LCD Monitor directly to sunlight or other heat source. Place your LED LCD Monitor away from the sun to reduce glare.
- Put your LED LCD Monitor in a well ventilated area.
- Do not place any heavy things on top of your LED LCD Monitor.
- Make certain your LED LCD Monitor is installed in a clean and moisture-free area.
- Keep your LED LCD Monitor away from magnets, motors, transformers, speakers, and TV sets.

### Note

- Move the LCD out of the package and take off the plastic bag and Polystyrene Foam.
- Pull the base from Parallel versus Panel to Vertical.
- Adjust the Panel within -1 degree leaning forward and 20 degree leaning backward. You must bend harder to exceed 20 degree backward but this range is for packing the unit to a small size for storage only.

### Safety Tips

- If smoke, abnormal noise or odor came out from your LED LCD Monitor, caution you should remove the power cord immediately and call your service center.
- Never remove the rear cover of your LED LCD Monitor cabinet. The display unit inside contains high-voltage parts and may cause electric shock to human bodies.
- Never try to repair your LED LCD Monitor yourself. Always call your service center or a qualified technician to fix it.

## Troubleshooting

### No power

- Make sure A/C power cord is securely connected to the power adapter and the power supply is firmly connected to the LED LCD Monitor.
- Plug another electrical device into the power outlet to verify that the outlet is supplying proper voltage.
- Make sure all signal cables are installed.

### Power on but no screen image

- Make sure the video cable supplied with the LED LCD Monitor is tightly secured to the video output port on back of the computer. If not, tightly secure it.
- Adjust brightness.

### Wrong or abnormal colors

- If any colors (red, green, blue) are missing, check the video cable to make sure it is securely connected. Loose or broken pins in the cable connector could cause an improper connection.
- Connect the LED LCD Monitor to another computer.

## **Planar Support**

### **Cables, Replacement Lamps, Accessories**

To find cables, replacement lamps and accessories for your Planar projector, monitor, touch screen or other Planar products visit our online store at [www.PlanarOnline.com](http://www.PlanarOnline.com) or find other stores who carry Planar products at <http://www.planar.com/howtobuy>

### **Technical Support**

Visit Planar at <http://www.planar.com/support> for product registration, operations manuals, warranty information and access to Planar's Technical Library for online troubleshooting. To speak with Planar Customer Support please have you model and serial number available and dial:

### **Planar Support**

Tel: 1-866-PLANAR1 (866-752-6271) or +1 503-748-5799 outside the US.

Hours: 24 hours a day, 7 days a week.

Toll or long distance charges may apply.

## **Planar Systems, Inc.**

Customer Service

24x7 Online Technical Support: <http://www.planar.com/support>

1195 NW Compton Drive

Beaverton, OR 97006-1992

Tel: 1-866-PLANAR1 (866-752-6271), or +1 503-748-5799 outside the United States,

Hours: 24 hours a day, 7 days a week

©2012 Planar Systems, Inc.

Planar is a registered trademark of Planar Systems, Inc. Other brands and names are the property of their respective owners. Technical information in this document is subject to change without notice.

2001132384T

