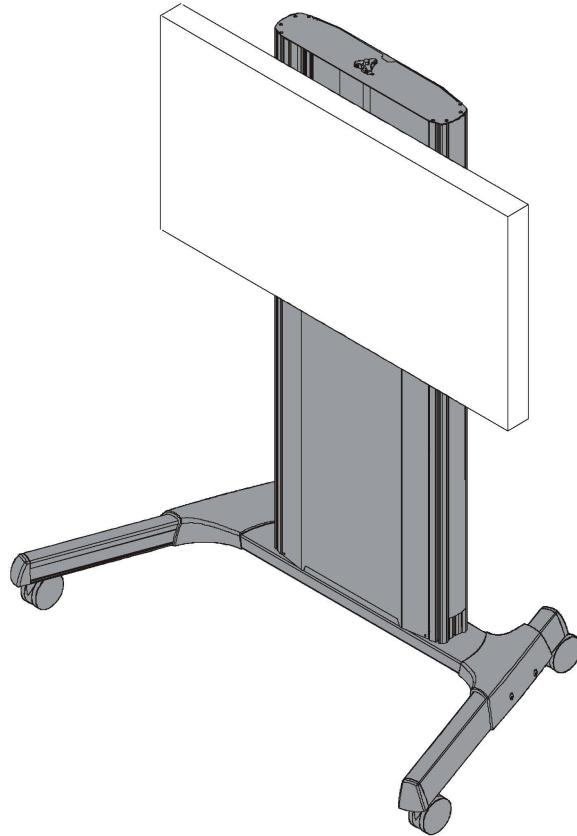

INSTALLATION INSTRUCTIONS



Extra Large Height Adjustable Video Cart

PLANAR[®]

LFS-UPL

DISCLAIMER

Milestone AV Technologies and its affiliated corporations and subsidiaries (collectively "Milestone"), intend to make this manual accurate and complete. However, Milestone makes no claim that the information contained herein covers all details, conditions or variations, nor does it provide for every possible contingency in connection with the installation or use of this product. The information contained in this document is subject to change without notice or obligation of any kind. Milestone makes no representation of warranty, expressed or implied, regarding the information contained herein. Milestone assumes no responsibility for accuracy, completeness or sufficiency of the information contained in this document.

Chief® is a registered trademark of Milestone AV Technologies. All rights reserved.



IMPORTANT SAFETY INSTRUCTIONS



WARNING: A WARNING alerts you to the possibility of serious injury or death if you do not follow the instructions.



CAUTION: A CAUTION alerts you to the possibility of damage or destruction of equipment if you do not follow the corresponding instructions.



WARNING: Failure to read, thoroughly understand, and follow all instructions can result in serious personal injury, damage to equipment, or voiding of factory warranty! It is the installer's responsibility to make sure all components are properly assembled and installed using the instructions provided.



WARNING: Failure to provide adequate structural strength for this component can result in serious personal injury or damage to equipment! It is the installer's responsibility to make sure the structure to which this component is attached can support five times the combined weight of all equipment. Reinforce the structure as required before installing the component.



WARNING: Exceeding the weight capacity can result in serious personal injury or damage to equipment! It is the installer's responsibility to make sure the combined weight of all components located attached to the XPAU up to (and including) the display does not exceed 300 lbs (136 kg). Use with heavier televisions may result in instability causing tip over resulting in death or serious injury!



WARNING: Exceeding the weight capacity can result in serious personal injury or damage to equipment! It is the installer's responsibility to make sure the combined weight of all components installed to the vertical rack brackets (C) does not exceed 20 lbs (9.07 kg) and that the combined weight of all components installed to the accessory bracket (G) does not exceed 10 lbs (4.54 kg). The combined weight of all components installed to the lower bracket (CPU's, etc.) cannot exceed 20 lbs (9.07 kg). Exceeding the weight capacity may result in damage to the equipment or components!



WARNING: Use this mounting system only for its intended use as described in these instructions. Do not use attachments not recommended by the manufacturer.



WARNING: Never operate this mounting system if it is damaged. Return the mounting system to a service center for examination and repair.



WARNING: Do not use this product outdoors.



WARNING: RISK OF INJURY TO PERSONS! Do not place video equipment such as televisions or computer monitors on cart legs.



WARNING: RISK OF SERIOUS INJURY OR DEATH! Placing a remote control or toy on the cart may encourage a child to climb onto the cart causing the cart to tip over onto the child. DO NOT place remote controls or toys on the cart!



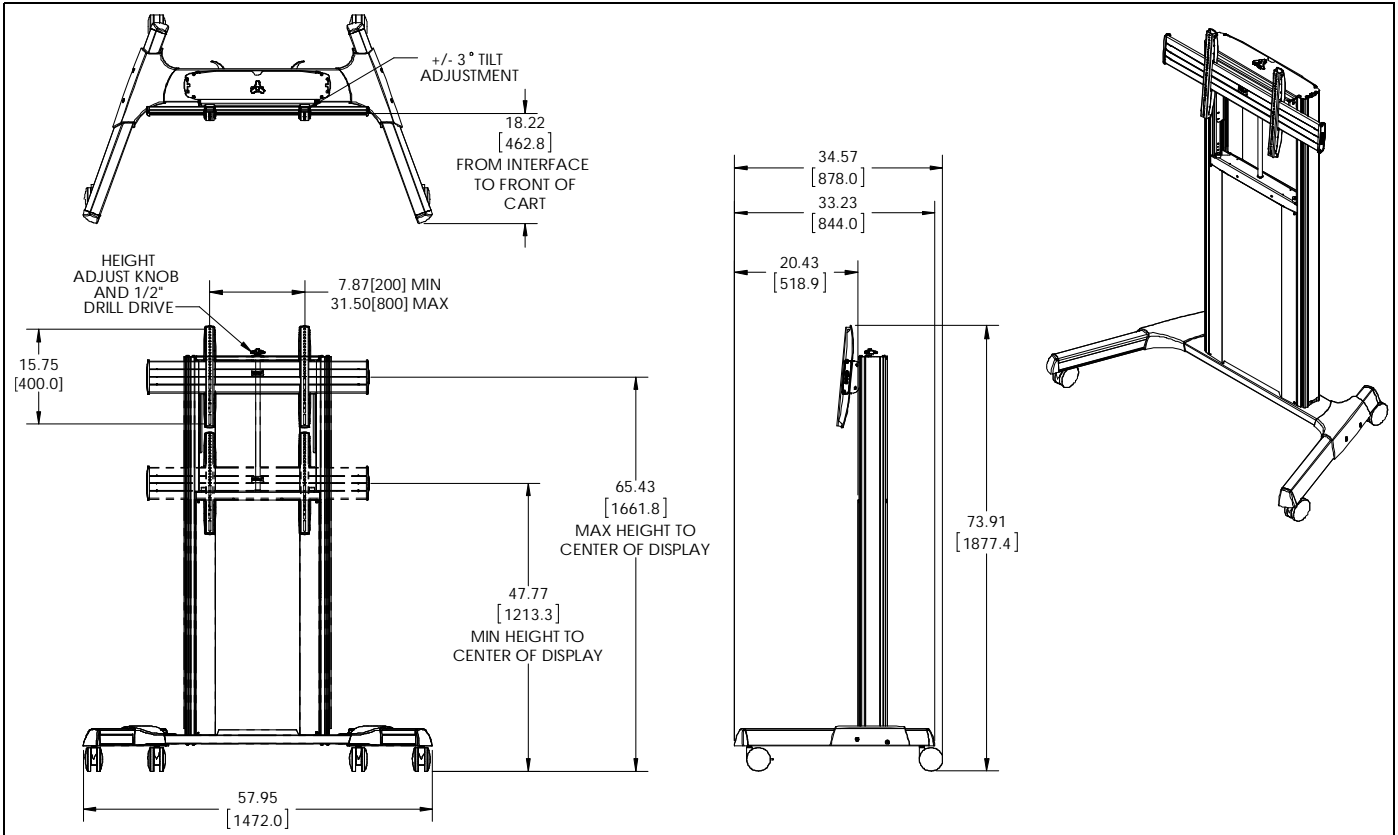
WARNING: RISK OF SERIOUS INJURY OR DEATH! Relocating audio and/or video equipment to the cart may result in the cart collapsing or overturning onto a child. DO NOT relocate audio and/or video equipment to the cart!

NOTE: The XPAU cart has no user serviceable parts.

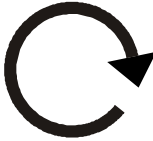

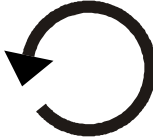









NOTE: The XPAU cart can support screen sizes up to a maximum of 100".

--SAVE THESE INSTRUCTIONS--

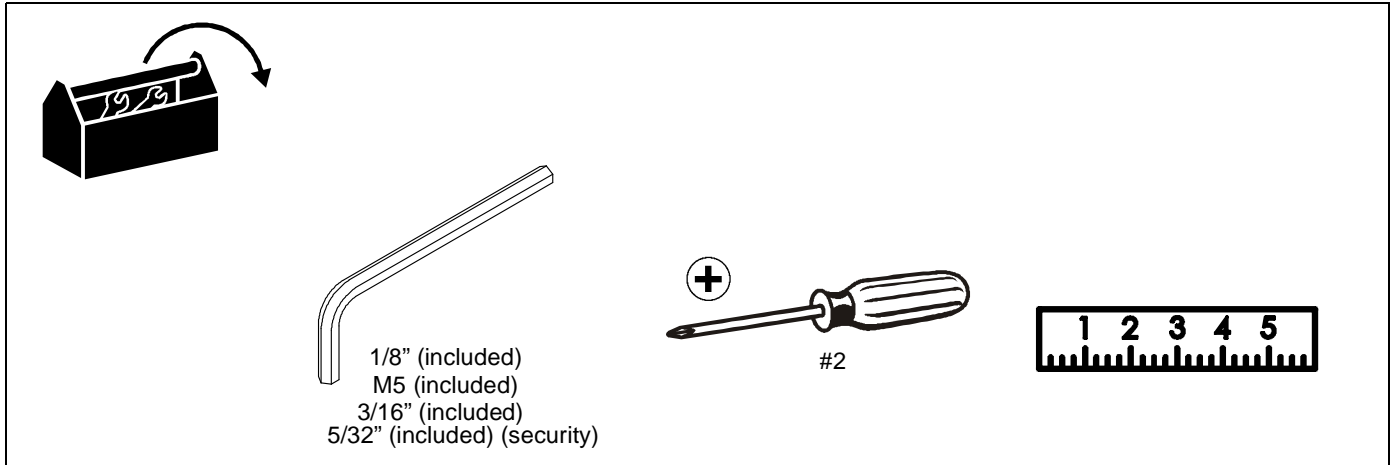
DIMENSIONS



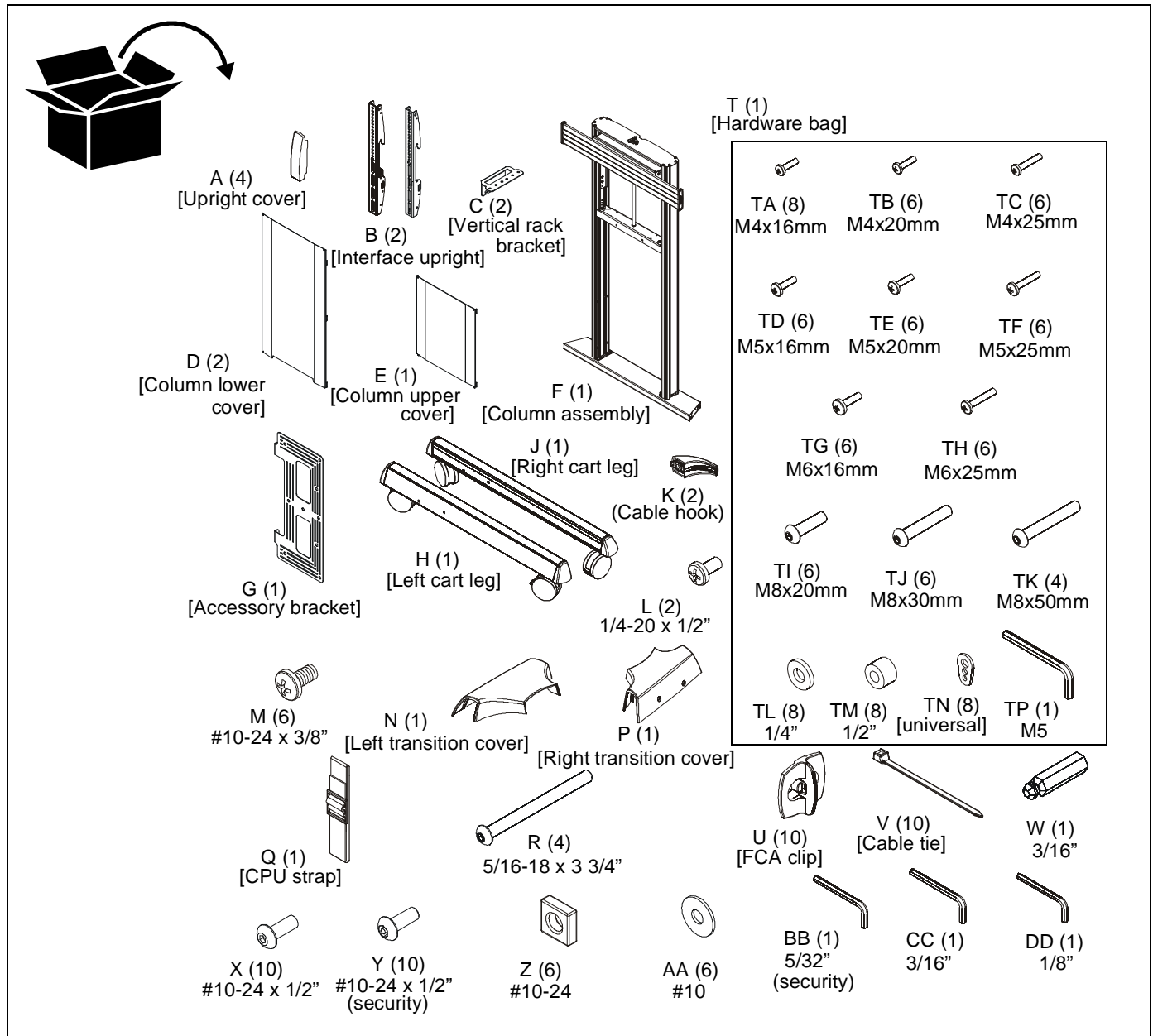
LEGEND

	Tighten Fastener Apretar elemento de fijación Befestigungsteil festziehen Apertar fixador Serrare il fissaggio Bevestiging vastdraaien Serrez les fixations		Pencil Mark Marcar con lápiz Stiftmarkierung Marcar com lápis Segno a matita Potloodmerkteken Marquage au crayon
	Loosen Fastener Aflojar elemento de fijación Befestigungsteil lösen Desapertar fixador Allentare il fissaggio Bevestiging losdraaien Desserrez les fixations		Drill Hole Perforar Bohrloch Fazer furo Praticare un foro Gat boren Percez un trou
	Phillips Screwdriver Destornillador Phillips Kreuzschlitzschraubendreher Chave de fendas Phillips Cacciavite a stella Kruiskopschroevendraaier Tournevis à pointe cruciforme		Adjust Ajustar Einstellen Ajustar Regolare Afstellen Ajuster
	Open-Ended Wrench Llave de boca Gabelschlüssel Chave de bocas Chiave a punte aperte Steeksleutel Clé à fourche		Remove Quitar Entfernen Remover Rimuovere Verwijderen Retirez
	By Hand A mano Von Hand Com a mão A mano Met de hand À la main		Optional Opcional Optional Opcional Opzionale Optie En option
	Hex-Head Wrench Llave de cabeza hexagonal Sechskantschlüssel Chave de cabeça sextavada Chiave esagonale Zeskantsleutel Clé à tête hexagonale		Security Wrench Llave de seguridad Sicherheitsschlüssel Chave de segurança Chiave di sicurezza Veiligheidsleutel Clé de sécurité

TOOLS REQUIRED FOR INSTALLATION



PARTS



Assembly And Installation



CAUTION: Attachment holes may be damaged if a power drill is used to insert button head cap screws. Screws should first be inserted and turned **BY HAND** with the hex key or with a hand-held screwdriver **BEFORE** using the hex head drill bit and power drill to complete the attachment.

Cart Assembly

1. Carefully set column assembly (F) on its left side. (See Figure 1)
2. Place right transition cover (P) on right cart leg (J), lining up the holes on the cover with the holes on the leg and column assembly base. (See Figure 1)
3. Use two 5/16-18 x 3 3/4" button head cap screws (R) to secure leg (J) and cover (P) to column assembly (F). (See Figure 1)

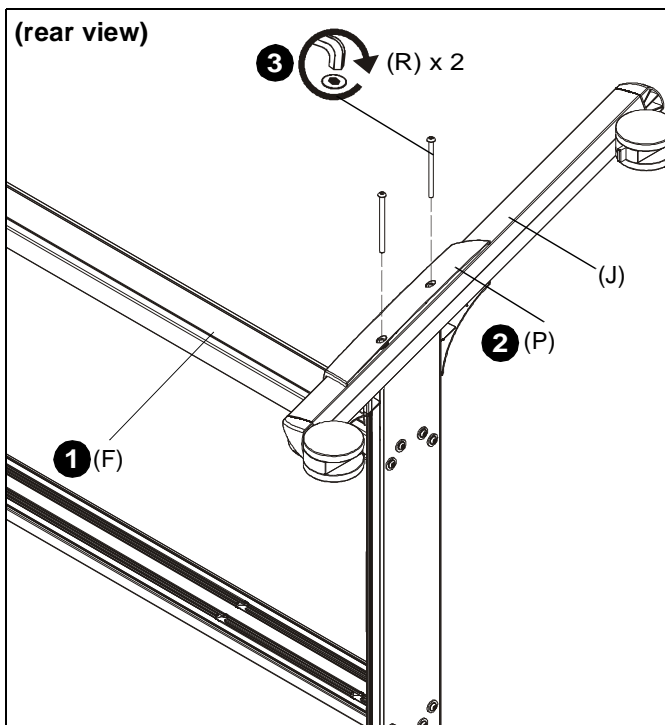


Figure 1

4. Turn column assembly (F) onto its right side. (See Figure 2)
5. Place left transition cover (N) on left cart leg (H), lining up the holes on the cover with the holes on the leg and column assembly base. (See Figure 2)
6. Use two 5/16-18 x 3 3/4" button head cap screws (R) to secure leg (H) and cover (N) to column assembly (F). (See Figure 2)

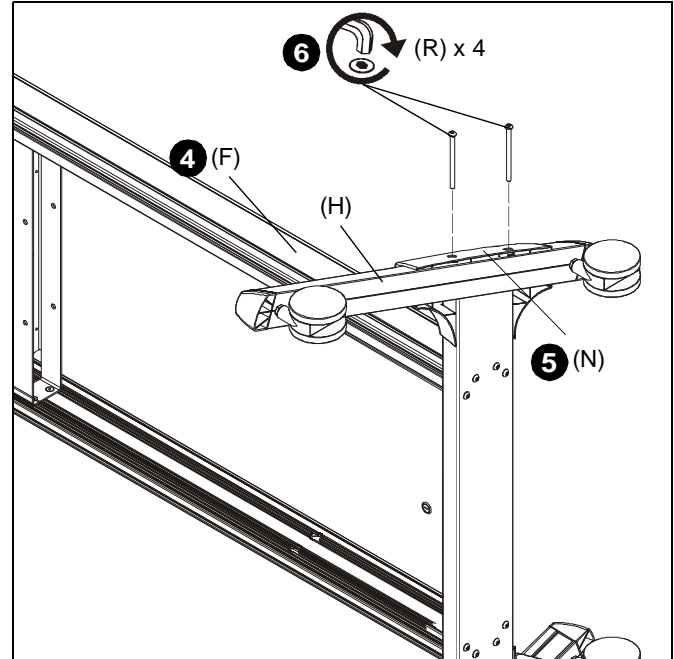


Figure 2

Accessory Bracket Installation (Optional)

NOTE: Accessory bracket may be installed to either side of column.

1. Loosely install two #10-24 x 3/8" Phillips head machine screws (M) through two #10 washers (AA), holes in accessory bracket (G) and into two #10-24 square nuts (Z). (See Figure 3)
2. Insert two #10-24 square nuts (Z) into two openings on column channel. (See Figure 3)
3. Lift accessory bracket (G) to desired mounting position. (See Figure 3)
4. Tighten screws to secure in position. (See Figure 3)

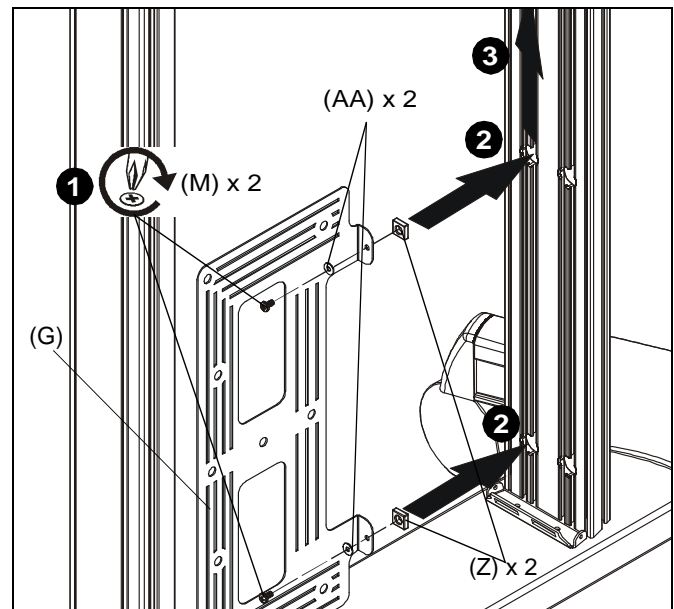


Figure 3



WARNING: Exceeding the weight capacity can result in serious personal injury or damage to equipment! It is the installer's responsibility to make sure the combined weight of all components installed to the accessory bracket (G) does not exceed 10 lbs (4.54 kg). Exceeding the weight capacity may result in damage to the equipment or components!

IMPORTANT ! : Do NOT attach accessory bracket too high on column or above height adjustment mechanism or it could interfere with the height adjustment mechanism. See Height Adjustment Section for details.

5. Install components to accessory bracket as desired using cable ties (V) or screws. (See Figure 4)

NOTE: Accessory bracket is designed to mount small audio/video components such as power strips, media players, etc.

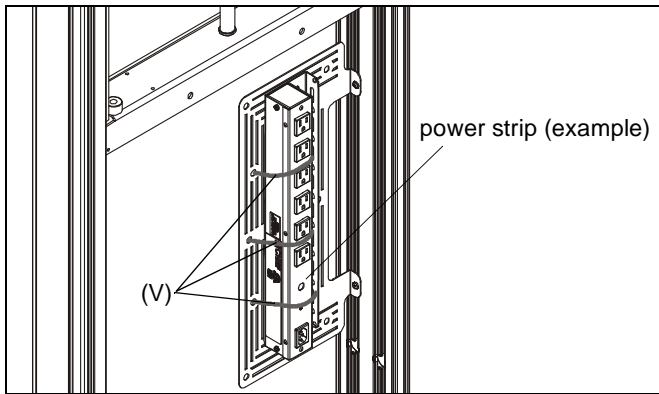


Figure 4

CPU Installation (Optional)

1. Route CPU strap (Q) through hole on lower bracket and around CPU to secure CPU to column base. (See Figure 5)



WARNING: Exceeding the weight capacity can result in serious personal injury or damage to equipment! It is the installer's responsibility to make sure the combined weight of all components installed to the lower bracket does not exceed 20 lbs (9.07 kg). Exceeding the weight capacity may result in damage to the equipment or components!

NOTE: CPU strap is designed for use with larger non-rack mountable CPU's or audio/video components.

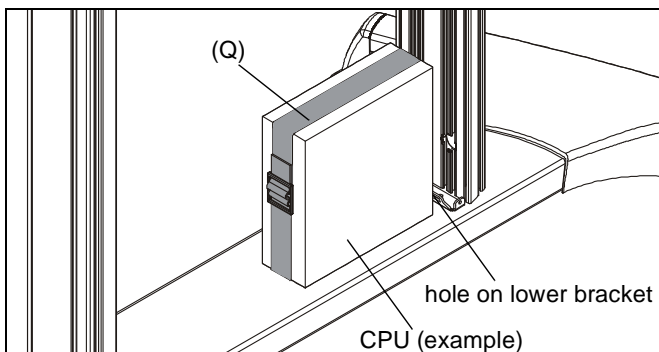


Figure 5

Vertical Rack Bracket Installation (Optional)

NOTE: Vertical rack brackets (C) are intended for use with various types of rack mountable products.

1. Loosely install two #10-24 x 3/8" Phillips head machine screws (M) through two #10 washers (AA), holes in vertical rack bracket (C) and into two #10-24 square nuts (Z). (See Figure 6)
2. Insert two #10-24 square nuts (Z) into two openings on column channel. (See Figure 6)
3. Lift vertical rack bracket (C) to desired mounting position. (See Figure 6)
4. Tighten screws to secure in position. (See Figure 6)

IMPORTANT ! : Do NOT attach rack brackets higher than 22" above the base extrusion or they could interfere with the height adjustment mechanism. See Height Adjustment Section for details.

5. Repeat Steps 1-4 on other side for other bracket.

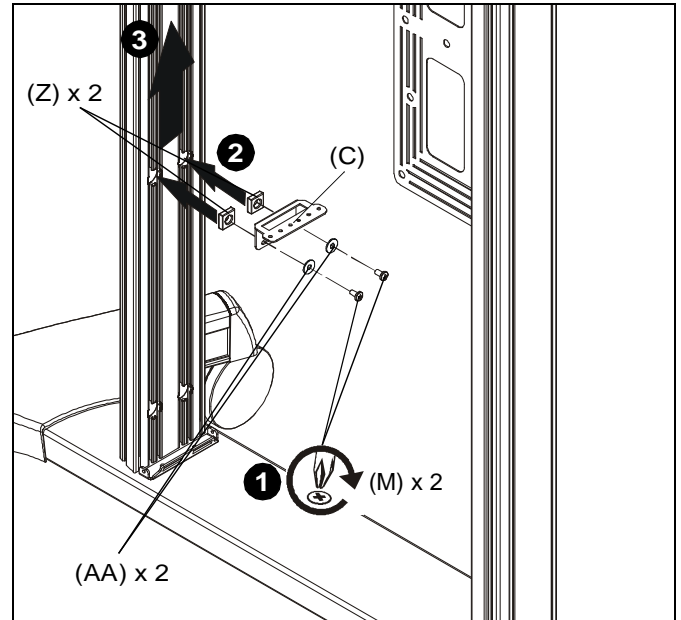


Figure 6



WARNING: Exceeding the weight capacity can result in serious personal injury or damage to equipment! It is the installer's responsibility to make sure the combined weight of all components installed to the vertical rack brackets (C) does not exceed 20 lbs (9.07 kg). Exceeding the weight capacity may result in damage to the equipment or components!

6. Install rack mountable components to vertical rack brackets (C) as desired using standard rack screws (not included).

Display Installation



WARNING: Exceeding the weight capacity can result in serious personal injury or damage to equipment! It is the installer's responsibility to make sure the combined weight of all components attached to the XPAU up to (and including) the display does not exceed 300 lbs (136 kg). Use with heavier televisions may result in instability causing tip over resulting in death or serious injury!

1. Lay display face down on protective surface.



CAUTION: Using screws of improper diameter may damage your display! Proper screws will easily thread into display mounting holes.

2. Select screw *diameter* by examining hardware (TA-TK) (4mm, 5mm, 6mm or 8mm) and comparing with mounting holes on display. (See Figure 7)
3. Select spacers: (See Figure 7)
 - If mounting holes are not recessed and both uprights (B) can lay flat against display, then no spacers are required.
 - If mounting holes are recessed, or if protrusions prevent uprights (B) from laying flat, then spacers (TL or TM) must be used.



CAUTION: Using screws of improper length may damage your display! Proper screws will have adequate thread engagement without contacting bottom of display mounting holes.

4. Select screw *length*: (See Figure 7)
 - Using your hand, insert **SHORTEST** length screw of selected diameter (TA, TD, TG or TI) through universal washer (TN), uprights (B), selected spacer (TL or TM), into display mounting hole. Do **NOT** thread screw into hole at this time.

NOTE: Universal washers (TN) are not needed if using M8 button head cap screws (TI, TJ or TK).

- Proper screw length requires base of screw head to protrude above flat washer a *distance equal to or greater than the screw diameter*. If screw length is inadequate, select longer screw. Select *shortest* screw which will protrude the required distance.
5. Place uprights (B) on display, ensuring: (See Figure 7)
 - Center of uprights (B) are as close to the center of the back of display as possible after being installed. Center of bracket is indicated by the diamond-shaped hole.
 6. Use selected screws and spacers to install two interface uprights (B) to back of display. (See Figure 7)

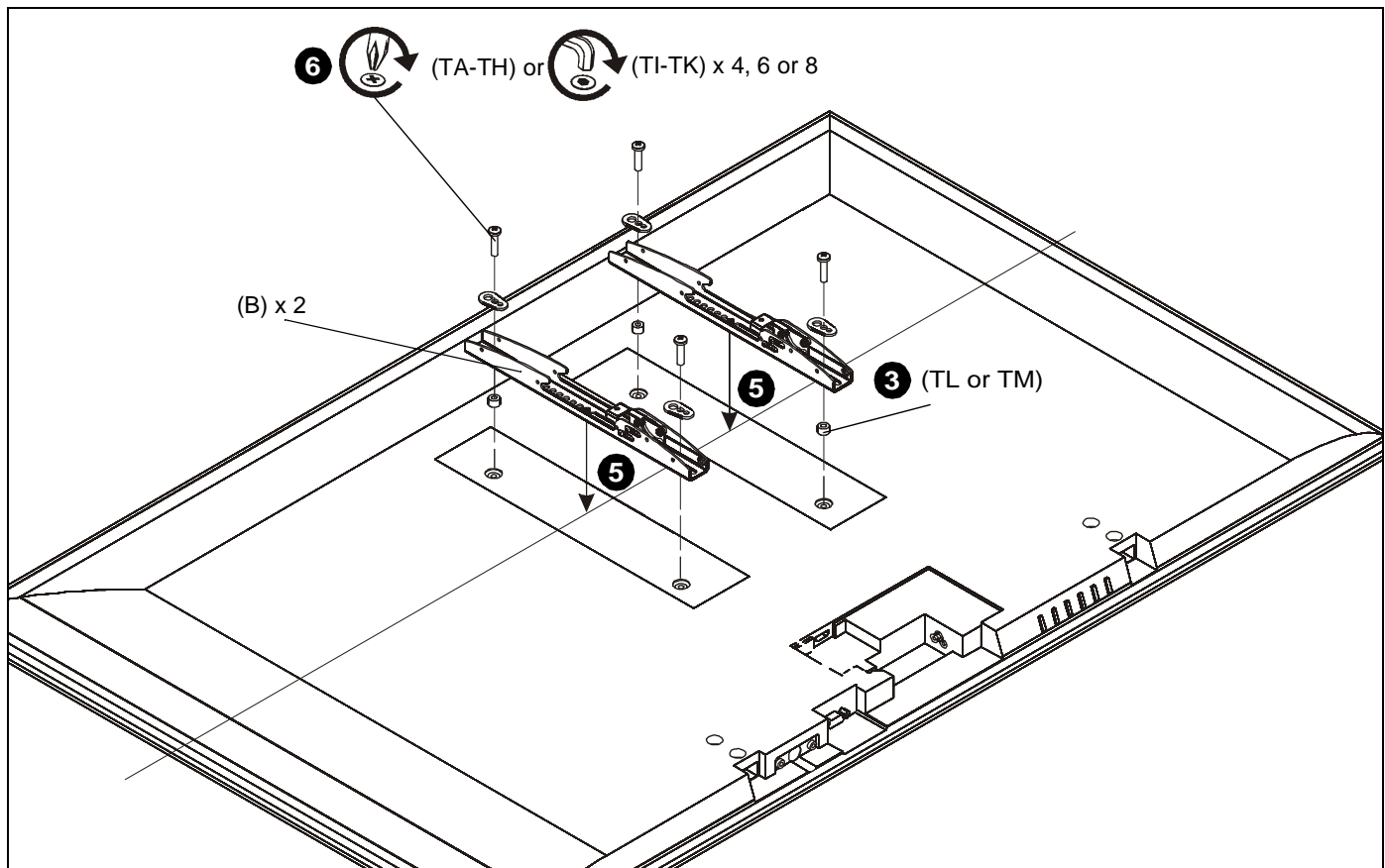


Figure 7



WARNING: Display may be very heavy! Ensure display may be safely lifted and maneuvered as required to install on cart. Failure to take adequate precautions can result in serious personal injury or damage to equipment!

7. Position latches on interface uprights so that they are in the "open" position. (See Figure 8)
8. Hang interface uprights (B) on head assembly. (See Figure 8)

IMPORTANT ! : To ensure a stable mount, make sure stability knobs are tightened prior to installing display.

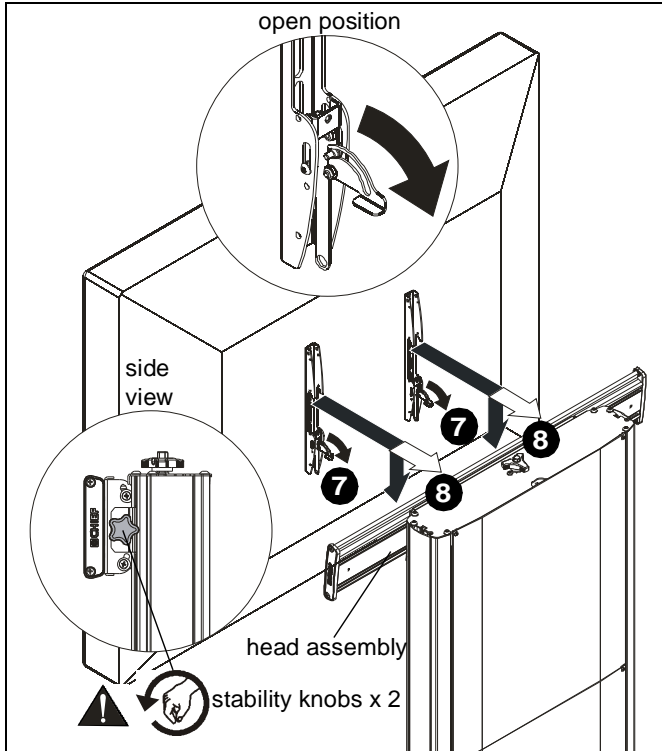


Figure 8

IMPORTANT ! : In order to ensure an even mount, install uprights to be centered over column assembly. Do NOT install both uprights to the same side of column assembly! (See Figure 9)

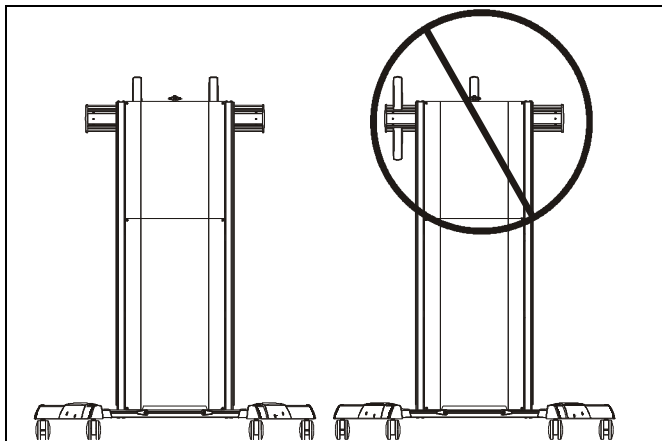


Figure 9

9. Move latches on interface uprights to the "closed" position to secure display to head assembly. (See Figure 10)

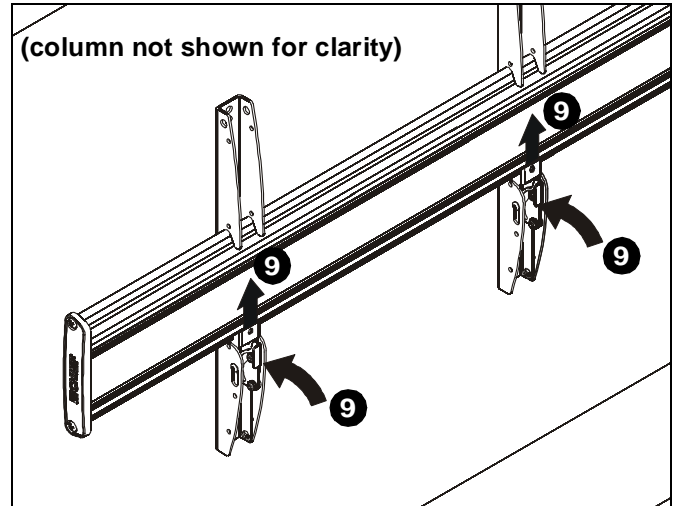


Figure 10

10. Snap four upright covers (A) onto uprights. (See Figure 11)

NOTE: Tabs on inside of covers (A) will snap directly into holes on uprights to ensure a secure connection.

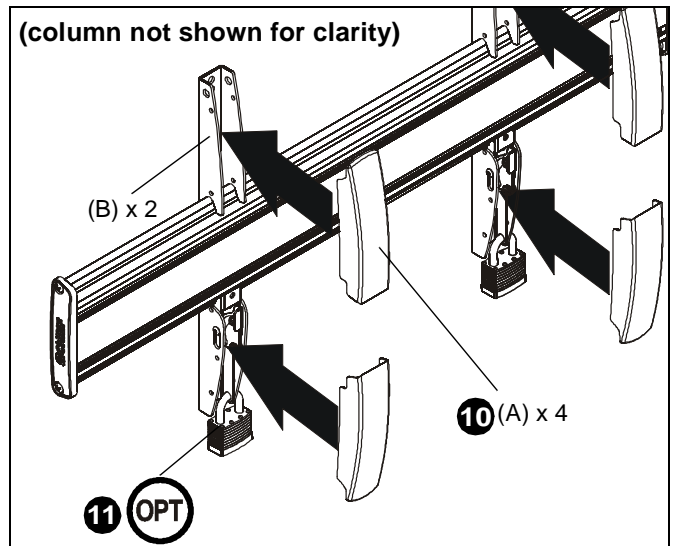


Figure 11

11. (Optional) Use padlocks (not provided) to secure uprights to head assembly. (See Figure 11)

Cable Management

NOTE: The following cable management options may vary based on type of display being mounted and user preference.

1. Use two 1/4-20 x 1/2" Phillips pan machine screws (L) to attach two cable hooks (K) to bottom of column assembly (F). (See Figure 12)

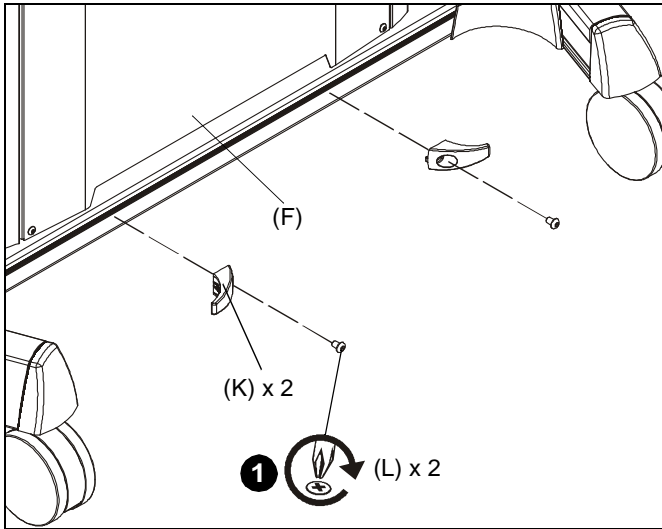


Figure 12

2. Place FCA clip (U) into groove on back of Fusion mount with clip handle in a vertical position. (See Figure 13)
3. Rotate FCA clip (U) 90° in either direction until clip handle is in a horizontal position. (See Figure 13)
4. Repeat Steps 2-3 for all clips to be installed.

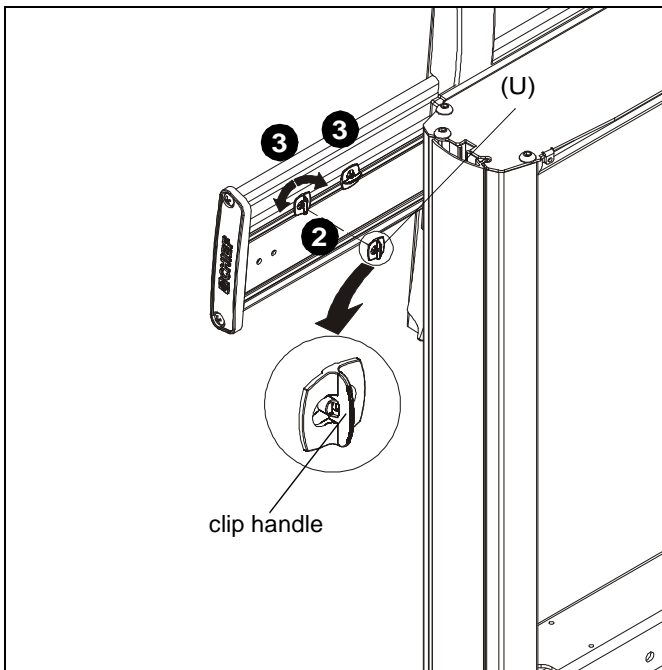


Figure 13

5. Route cables along FCA clips to be used for cable management. (See Figure 14)
6. Use cable ties (V) to secure cables to FCA clips. (See Figure 14)

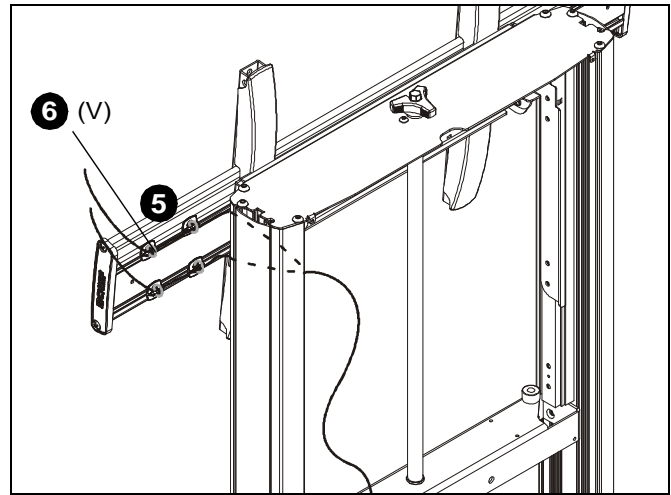


Figure 14

7. Route cables from display through inside of column assembly attaching at cable management attachment points and/or accessory bracket as desired. (See Figure 15)

IMPORTANT ! : Route cables when display is at its highest point and make sure enough slack exists so that height may be adjusted without straining the cables!

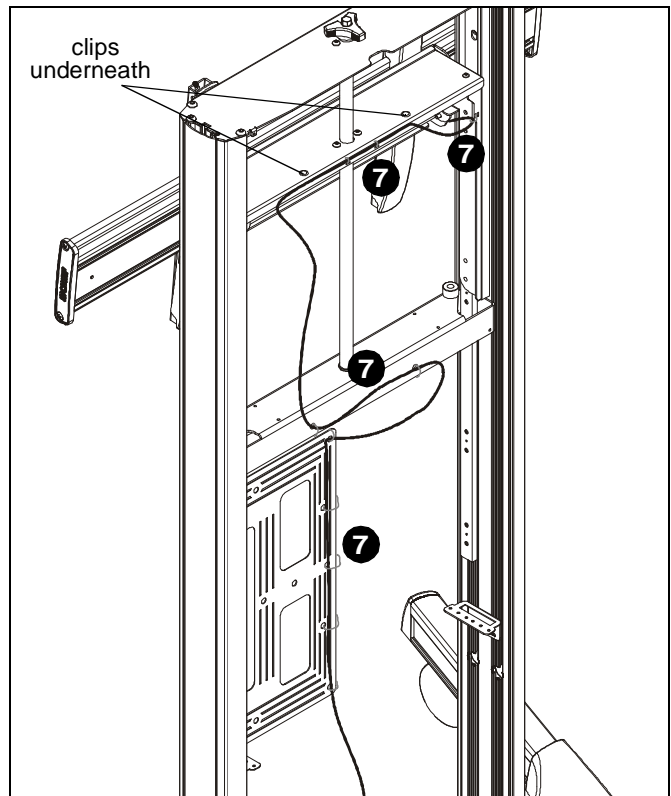


Figure 15

8. Wrap cables around cable hooks (K) as desired. (See Figure 16)

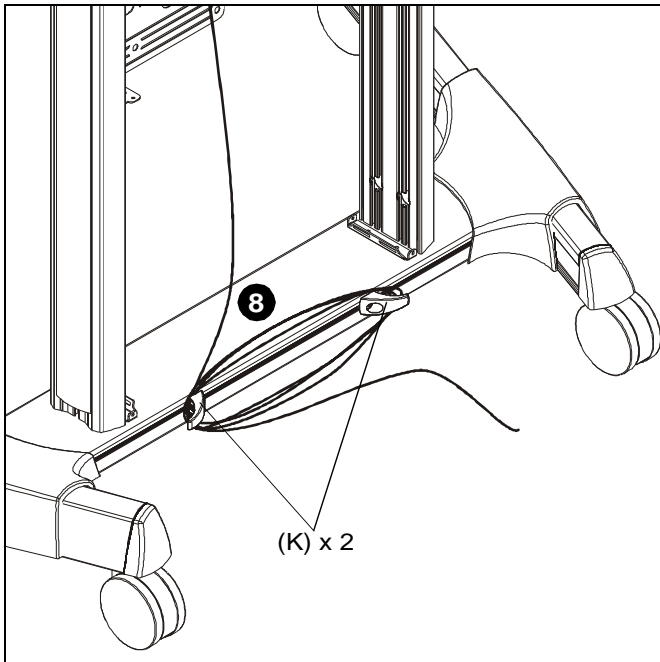


Figure 16

3. Use four #10-24 x 1/2" button head cap (X) or security (Y) screws to secure lower cover (D) to front of column assembly (F). (See Figure 18)

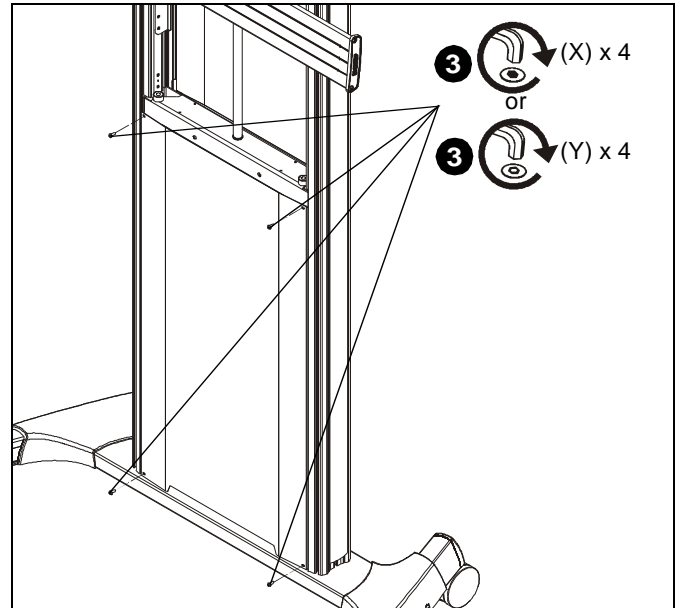


Figure 18

Covers Installation

Front of Column

1. Insert tabs on one side of lower cover (D) into corresponding slots on side of column assembly. (See Figure 17)
2. Manipulate lower cover so that it fits within front cavity of column assembly and insert tabs on other side of lower cover into corresponding slots on side of column assembly. (See Figure 17)

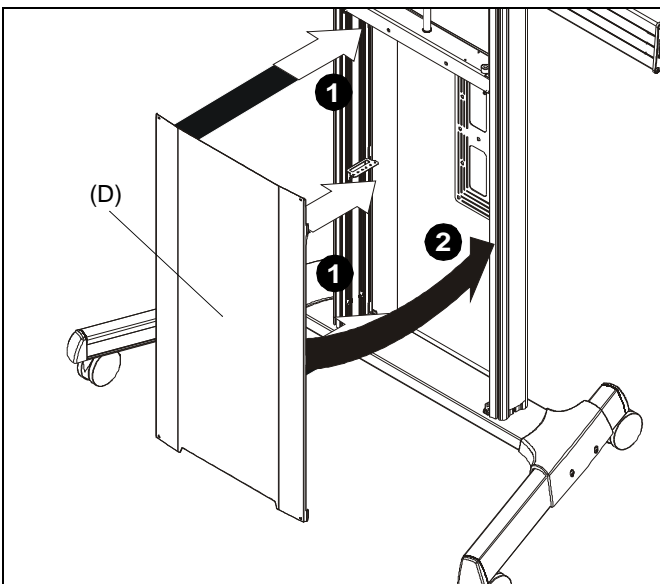


Figure 17

Back of Column

4. Insert tabs on one side of upper cover (E) into corresponding slots on side of column assembly. (See Figure 19)
5. Manipulate upper cover (E) so that it fits within front cavity of column assembly and insert tabs on other side of upper cover (E) into corresponding slots on side of column assembly. (See Figure 19)

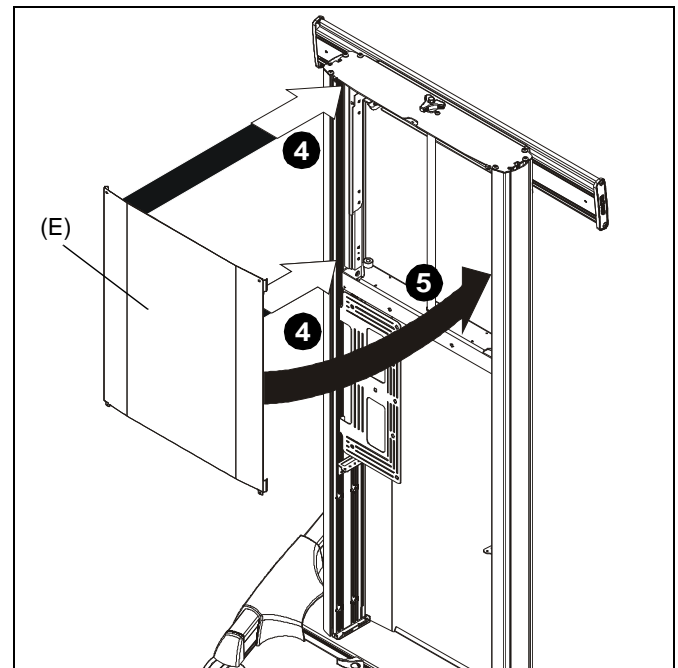


Figure 19

6. Insert tabs on one side of lower cover (D) into corresponding slots on side of column assembly. (See Figure 20)
7. Manipulate lower cover (D) so that it fits within lower cavity of column assembly and insert tabs on other side of lower cover (D) into corresponding slots on side of column assembly. (See Figure 20)

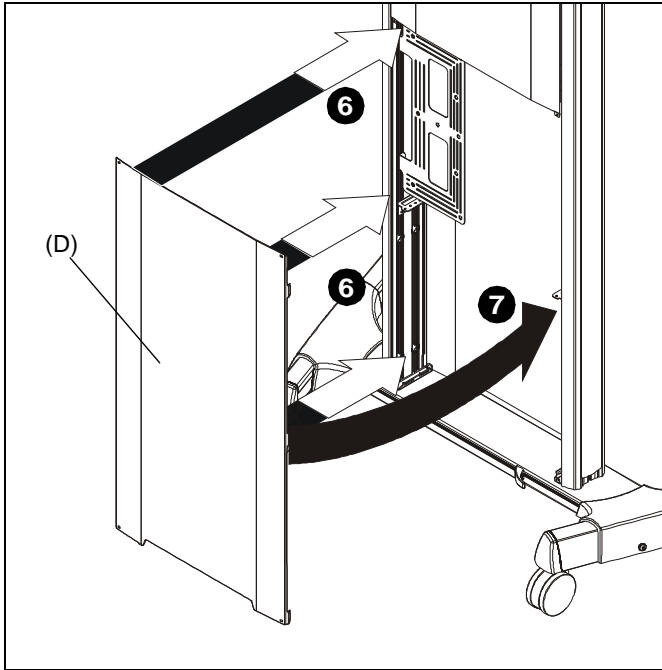


Figure 20

8. Use six #10-24 x 1/2" button head cap (X) or security (Y) screws to secure upper cover (E) and lower cover (D) to back of column (F). (See Figure 21)

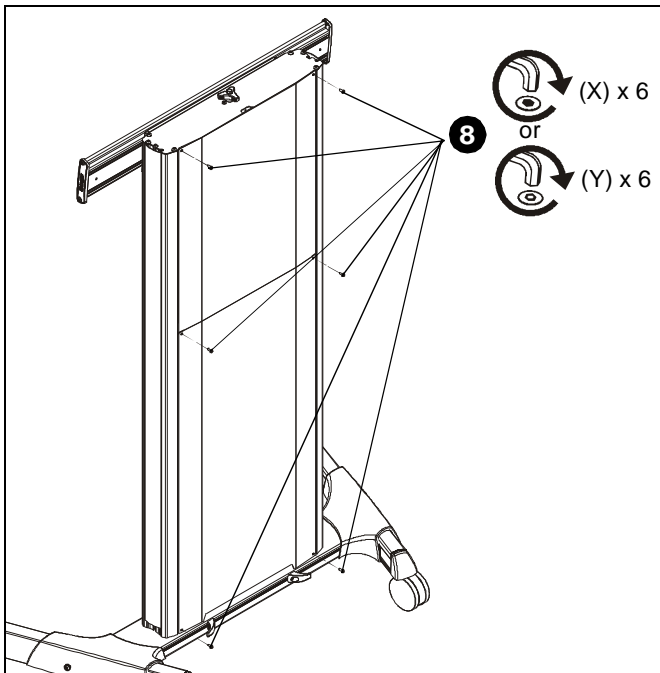


Figure 21

Adjustments

Height Adjustment

1. Loosen two stability knobs on either side of head assembly. (See Figure 22)
2. Turn height adjustment knob clockwise to raise display. (See Figure 22)
3. Turn height adjustment knob counterclockwise to lower display. (See Figure 22)



WARNING: Do not attempt to raise or lower the adjustment carriage beyond its upper or lower limit. High and low points are shown in Figures 22 and 23.

NOTE: A 1/2" socket wrench or drill may also be used to adjust height by turning bolt just above height adjustment knob.

4. Tighten two stability knobs on either side of head assembly. (See Figure 22)

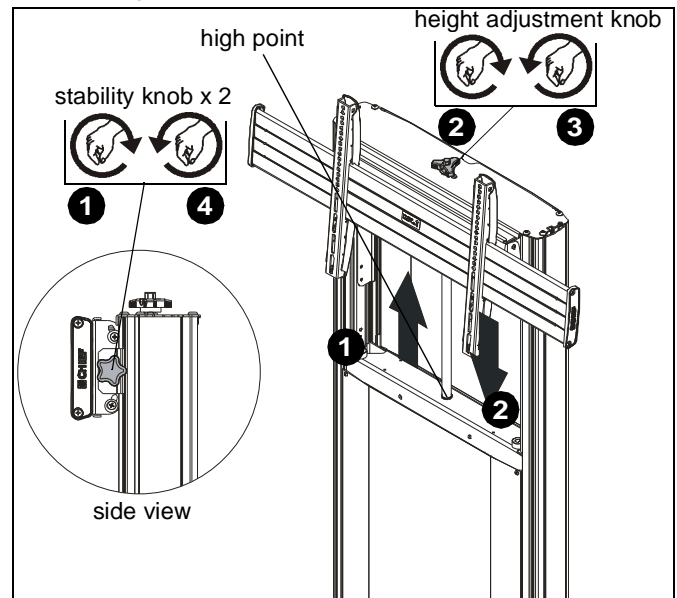


Figure 22

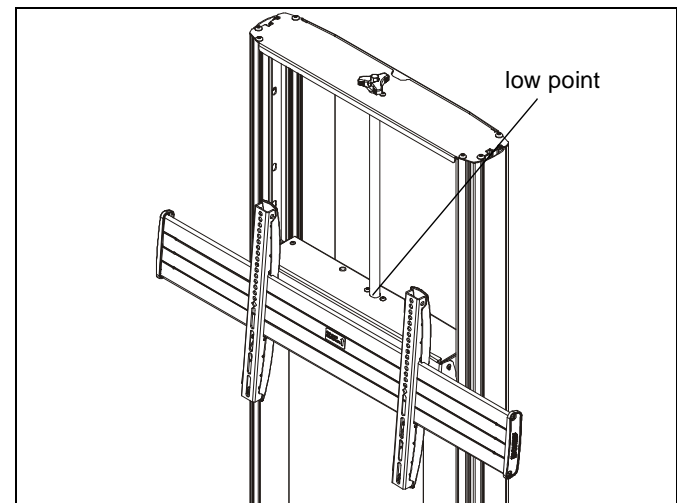


Figure 23

Pitch Adjustment

⚠ WARNING: Removing pitch adjustment screws when the display is installed will result in the display falling from the mount! Do NOT remove pitch adjustment screws completely while the display is installed to the mount!

5. Loosen two stability knobs on either side of head assembly. (See Figure 24)
6. Loosen pitch adjustment screws to allow pitch to be adjusted. (See Figure 24)
7. Adjust pitch as desired. (See Figure 24)
8. Tighten pitch adjustment screws to lock pitch position. (See Figure 24)
9. Tighten two stability knobs on either side of head assembly. (See Figure 24)

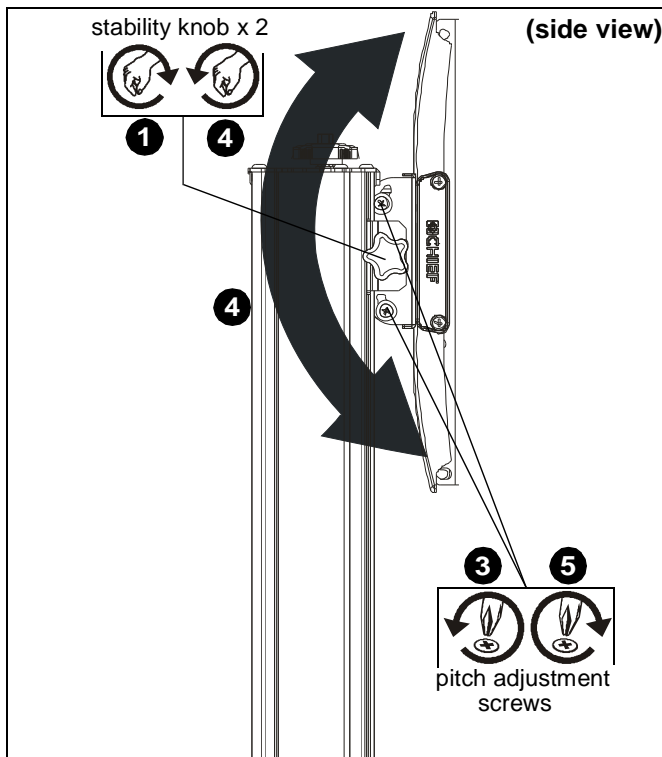


Figure 24

Cart Use and Maintenance

⚠ WARNING: Exceeding the weight capacity can result in serious personal injury or damage to equipment! It is the installer's responsibility to make sure the combined weight of all components located between the XPAU up to (and including) the display does not exceed 300 lbs (136 kg).

⚠ WARNING: RISK OF SERIOUS INJURY OR DEATH! Placing a remote control or toy on the cart may encourage a child to climb onto the cart causing the cart to tip over onto the child. DO NOT place remote controls or toys on the cart!

⚠ WARNING: RISK OF SERIOUS INJURY OR DEATH! Relocating audio and/or video equipment to the cart may result in the cart collapsing or overturning onto a child. DO NOT relocate audio and/or video equipment to the cart!

⚠ WARNING: CART CAN TIP OVER RESULTING IN INJURY! Do not allow children under 16 to move cart. Only adults should move this cart. Move cart slowly. Apply moving force on narrow dimension. Never apply force at top - always push toward the middle. Push, don't pull cart. (See Figure 25)

NOTE: The XPAU cart has no user serviceable parts.

NOTE: The XPAU cart can support screen sizes up to a maximum of 100" wide.

1. Always place cart on a level surface.

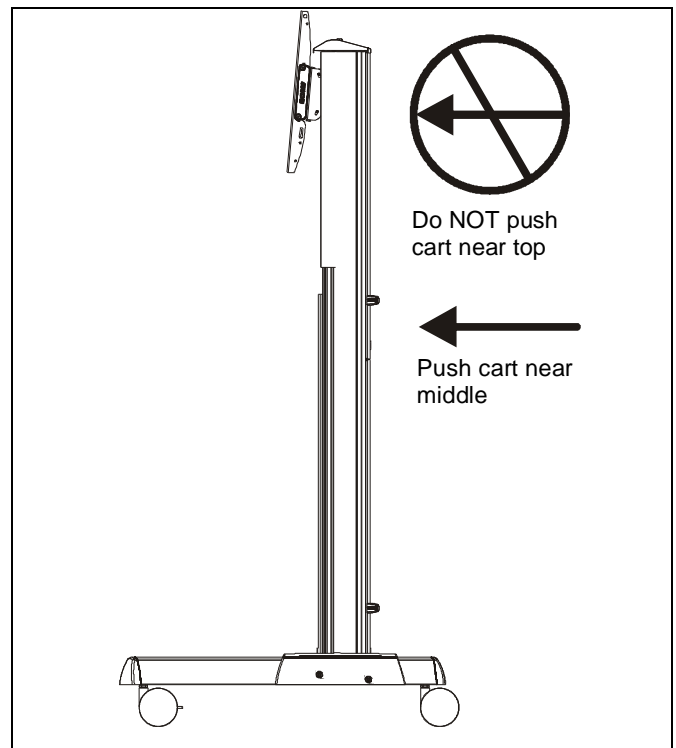


Figure 25

2. Always lock the wheels when the cart is not moving.
3. Check and tighten the hex nuts on the casters occasionally. (See Figure 26) These should be checked especially after use on uneven ground.

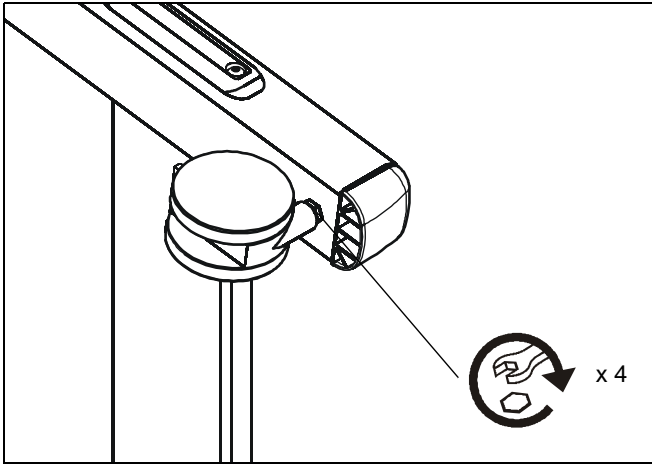


Figure 26

Removing Display from Cart

1. Remove any padlocks from interface uprights if installed.
2. Position latches on interface uprights so that they are in the "open" position. (See Figure 27)



WARNING: DISPLAYS MAY WEIGHT IN EXCESS OF 40 LBS! Always use two people and proper lifting techniques when installing or positioning display on cart.

3. Carefully lift display from cart. (See Figure 27)

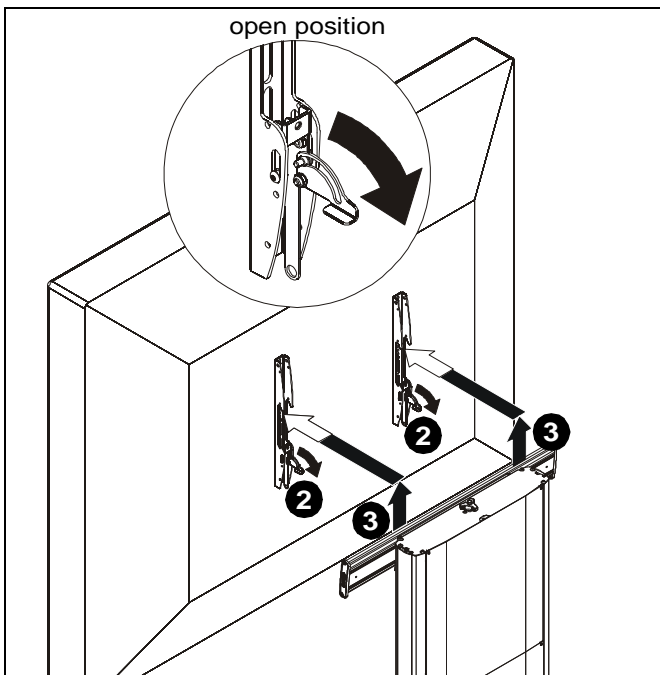
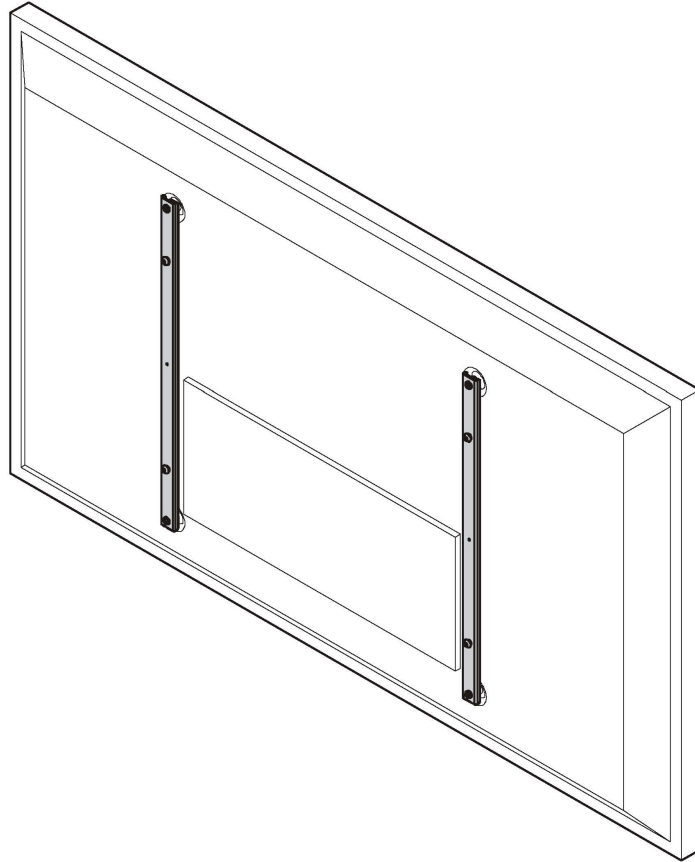


Figure 27

INSTALLATION INSTRUCTIONS



Flat Panel Interface Bracket

PLANAR[®]

FHB3037/5037/7037

DISCLAIMER

Milestone AV Technologies and its affiliated corporations and subsidiaries (collectively "Milestone"), intend to make this manual accurate and complete. However, Milestone makes no claim that the information contained herein covers all details, conditions or variations, nor does it provide for every possible contingency in connection with the installation or use of this product. The information contained in this document is subject to change without notice or obligation of any kind. Milestone makes no representation of warranty, expressed or implied, regarding the information contained herein. Milestone assumes no responsibility for accuracy, completeness or sufficiency of the information contained in this document.

Chief® is a registered trademark of Milestone AV Technologies. All rights reserved.

! IMPORTANT SAFETY INSTRUCTIONS

! WARNING: A WARNING alerts you to the possibility of serious injury or death if you do not follow the instructions.

! CAUTION: A CAUTION alerts you to the possibility of damage or destruction of equipment if you do not follow the corresponding instructions.

! WARNING: Failure to read, thoroughly understand, and follow all instructions can result in serious personal injury, damage to equipment, or voiding of factory warranty! It is the installer's responsibility to make sure all components are properly assembled and installed using the instructions provided.

! WARNING: Failure to provide adequate structural strength for this component can result in serious personal injury or damage to equipment! It is the installer's responsibility to make sure the structure to which this component is attached can support five times the combined weight of all equipment. Reinforce the structure as required before installing the component.

! WARNING: Exceeding the weight capacity can result in serious personal injury or damage to equipment! It is the installer's responsibility to make sure the combined weight of all components located between the FHB3037/5037/7037 up to (and including) the display does not exceed the weight limit of the mount to which it is being attached.

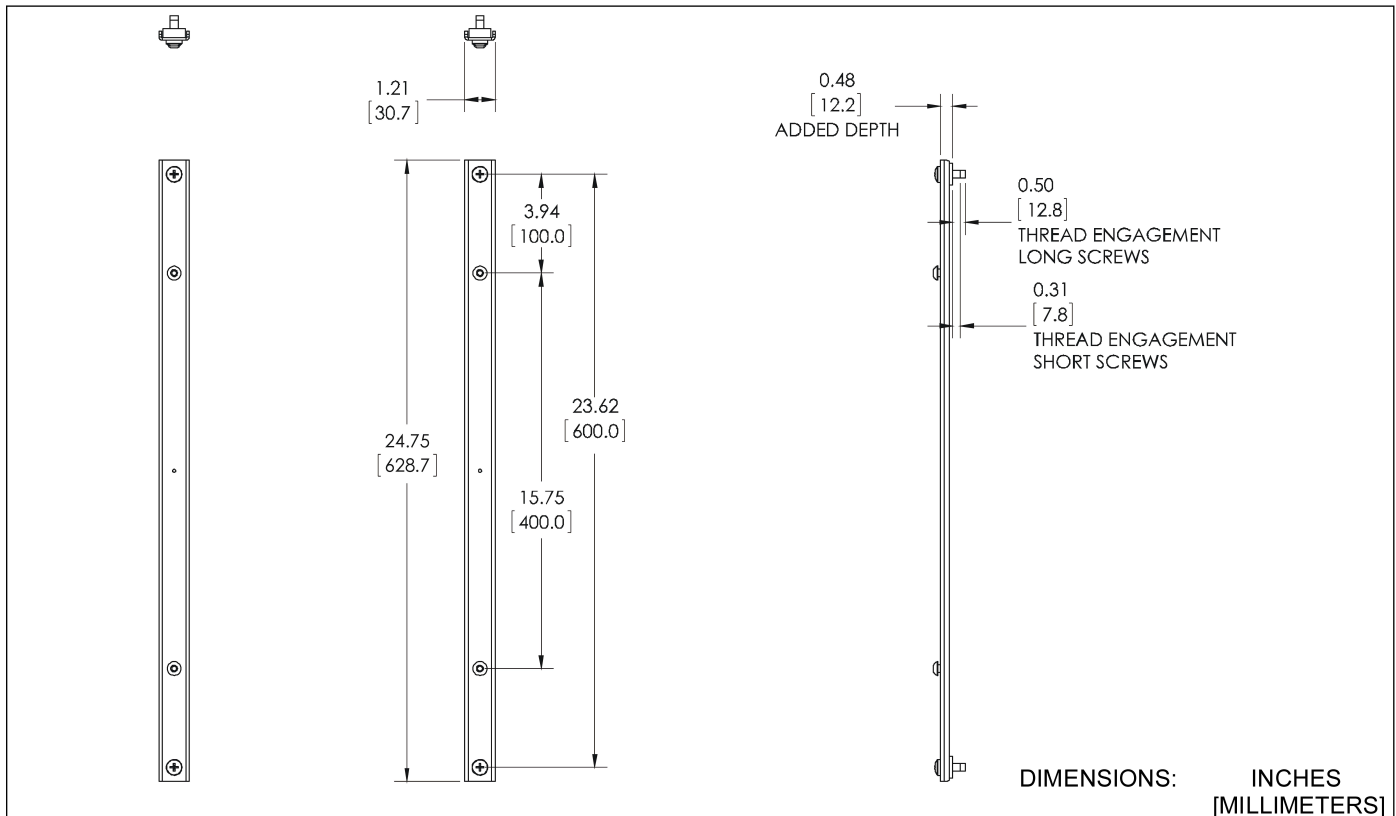
! WARNING: Use this mounting system only for its intended use as described in these instructions. Do not use attachments not recommended by the manufacturer.

! WARNING: Never operate this mounting system if it is damaged. Return the mounting system to a service center for examination and repair.

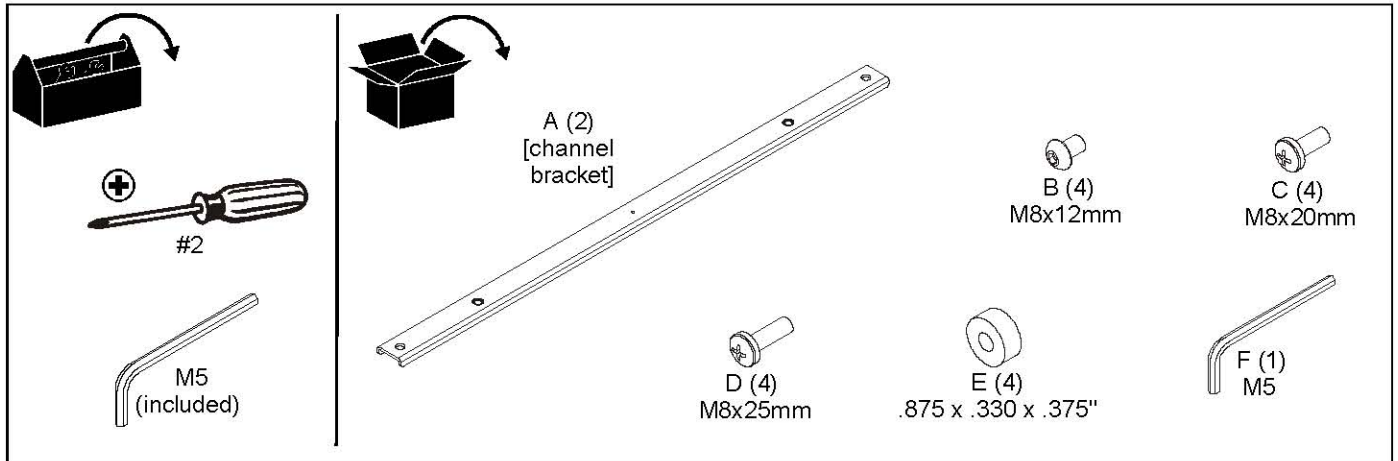
! WARNING: Do not use this product outdoors.

--SAVE THESE INSTRUCTIONS--

DIMENSIONS



TOOLS / PARTS FOR INSTALLATION



ASSEMBLY AND INSTALLATION

1. Install wall mount to wall following mount instructions up until the interface brackets are to be attached to the display.
2. Lay display face down on a protective surface.
3. Position two spacers (E) over two holes on back of display. (See Figure 1)



WARNING: IMPROPER INSTALLATION CAN LEAD TO DISPLAY FALLING CAUSING SERIOUS PERSONAL INJURY OR DAMAGE TO EQUIPMENT! Using screws of improper size may damage your display. Properly sized screws will easily and completely thread into display mounting holes.

4. Install two M8 x 25mm Phillips head cap screws (D) **OR** two M8 x 20mm Phillips head cap screws (C) through channel bracket (A), spacer (E) and into back of display. (See Figure 1)

NOTE: Use alignment hole in channel brackets to line up the wall mount interface brackets for a vertically centered mount. (See Figure 2)

5. Use two M8 x 12mm button head screws (B) to secure wall mount interface bracket to channel bracket (A). (See Figure 1)
6. Repeat Steps 3-5 for other channel bracket.

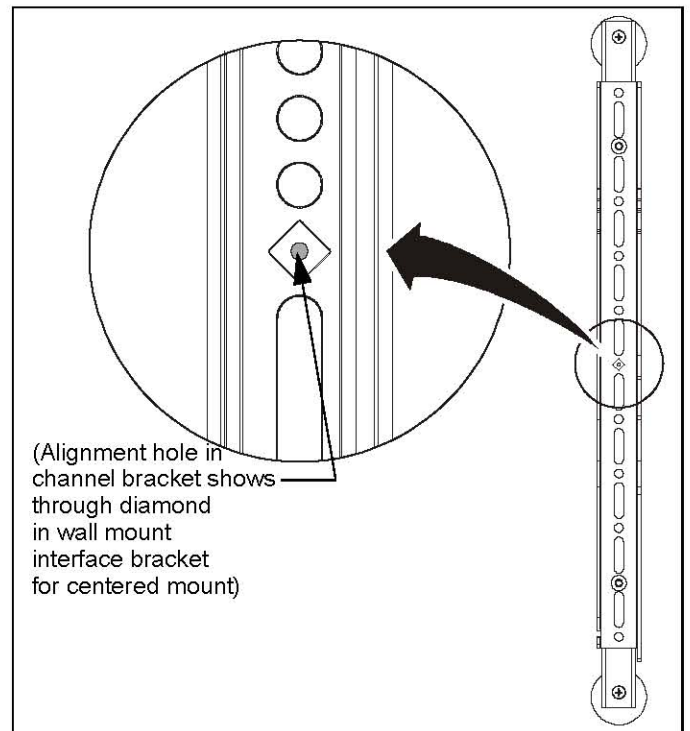


Figure 2

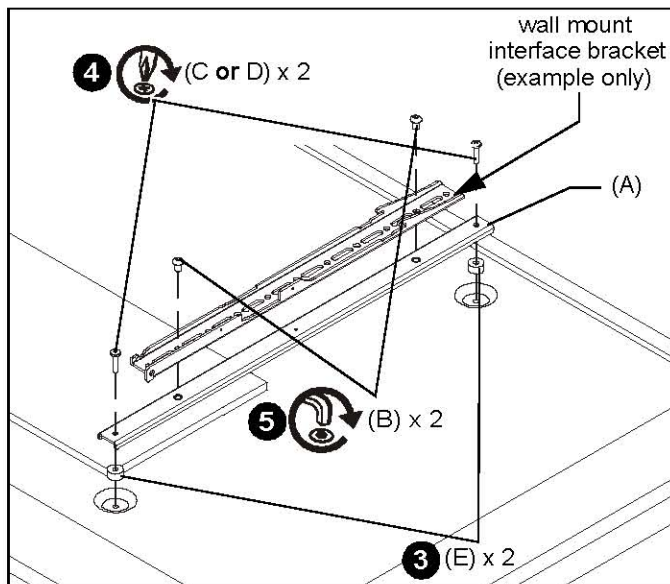


Figure 1

7. Complete the installation following the mount installation instructions.