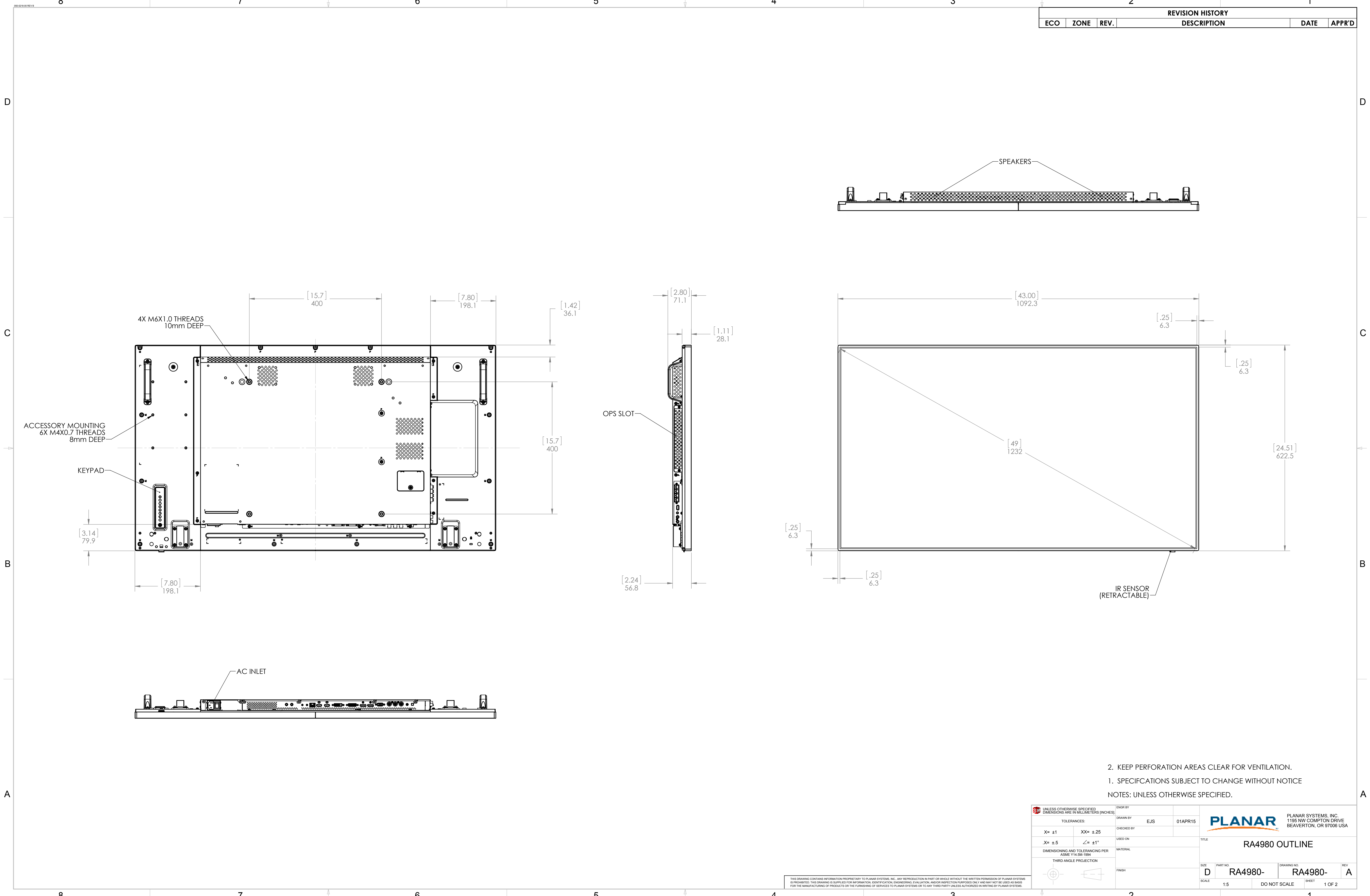


REVISION HISTORY					
ECO	ZONE	REV.	DESCRIPTION	DATE	APPR'D



- KEEP PERFORATION AREAS CLEAR FOR VENTILATION.
 - SPECIFICATIONS SUBJECT TO CHANGE WITHOUT NOTICE
- NOTES: UNLESS OTHERWISE SPECIFIED.

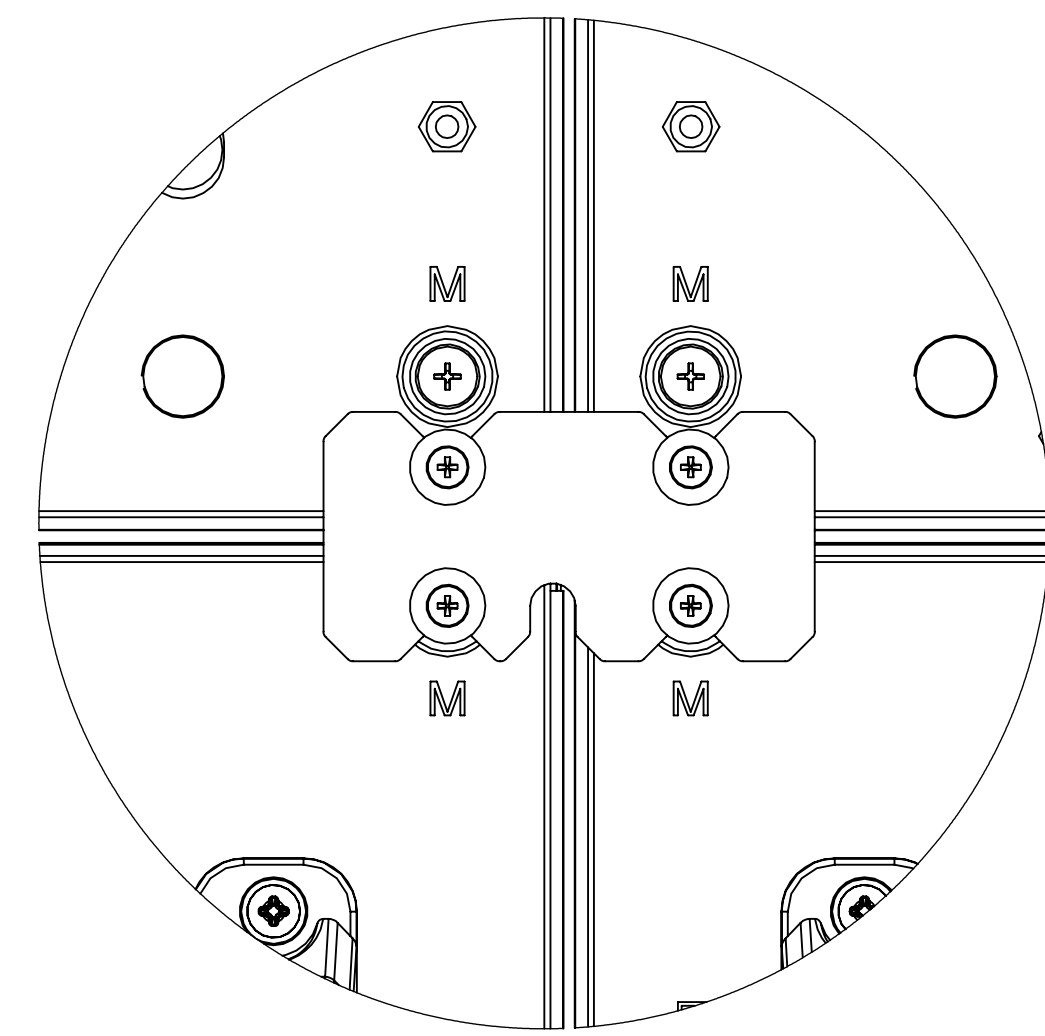
UNLESS OTHERWISE SPECIFIED: DIMENSIONS ARE IN MILLIMETERS (INCHES)		ENGR BY	PLANAR SYSTEMS, INC. 1195 NW COMPTON DRIVE BEAVERTON, OR 97006 USA	
TOLERANCES:		DRAWN BY	EJS	01APR15
X= ±1	XX= ±.25	CHECKED BY		
.X= ±.5	∠= ±1°	USED ON		
DIMENSIONING AND TOLERANCING PER ASME Y14.5M-1994		MATERIAL		
THIRD ANGLE PROJECTION		FINISH		
TITLE		RA4980 OUTLINE		
SIZE	PART NO.	DRAWING NO.	REV.	
D	RA4980-	RA4980-	A	
SCALE	1:5	DO NOT SCALE	SHEET	1 OF 2

THIS DRAWING CONTAINS INFORMATION PROPRIETARY TO PLANAR SYSTEMS, INC. ANY REPRODUCTION IN PART OR WHOLE WITHOUT THE WRITTEN PERMISSION OF PLANAR SYSTEMS, INC. IS PROHIBITED. THIS DRAWING IS SUPPLIED FOR INFORMATION, IDENTIFICATION, ENGINEERING, EVALUATION, AND/OR INSPECTION PURPOSES ONLY AND MAY NOT BE USED AS BASIS FOR THE MANUFACTURING OF PRODUCTS OR THE FURNISHING OF SERVICES TO PLANAR SYSTEMS OR TO ANY THIRD PARTY UNLESS AUTHORIZED IN WRITING BY PLANAR SYSTEMS, INC.

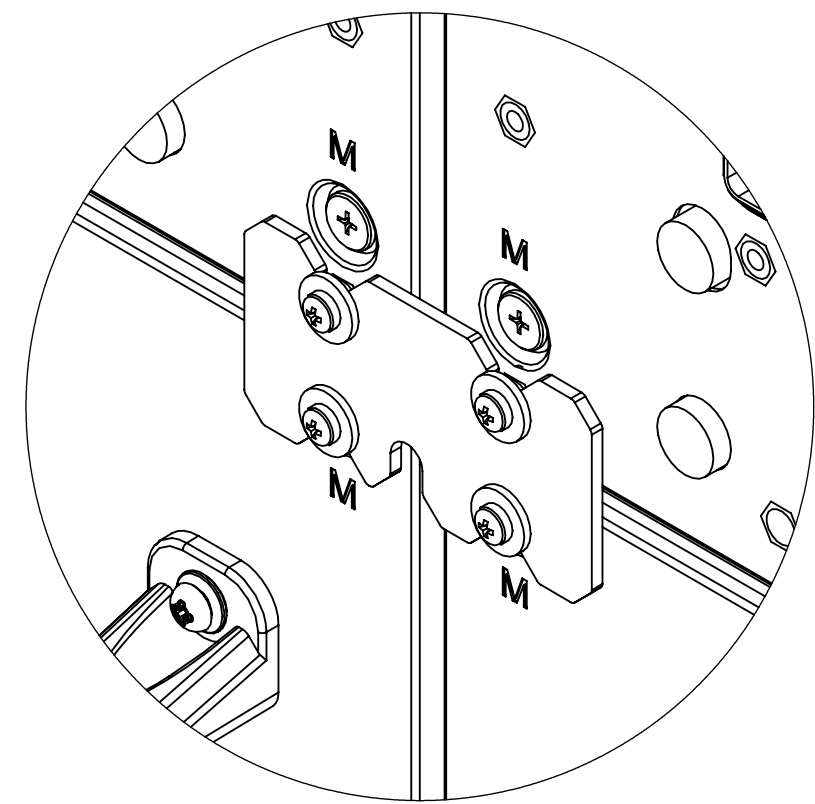
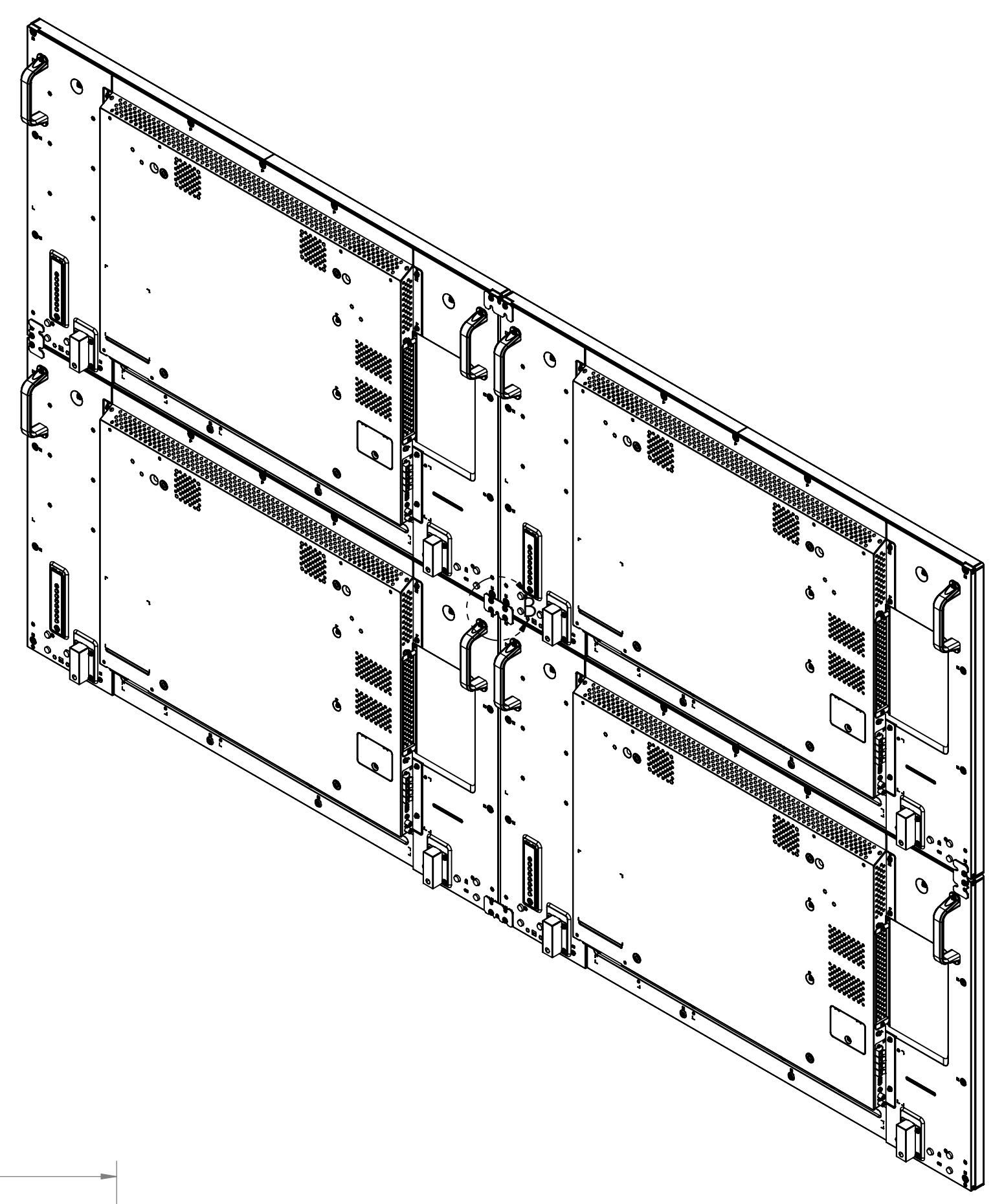
8 7 6 5 4 3 2 1

D

D



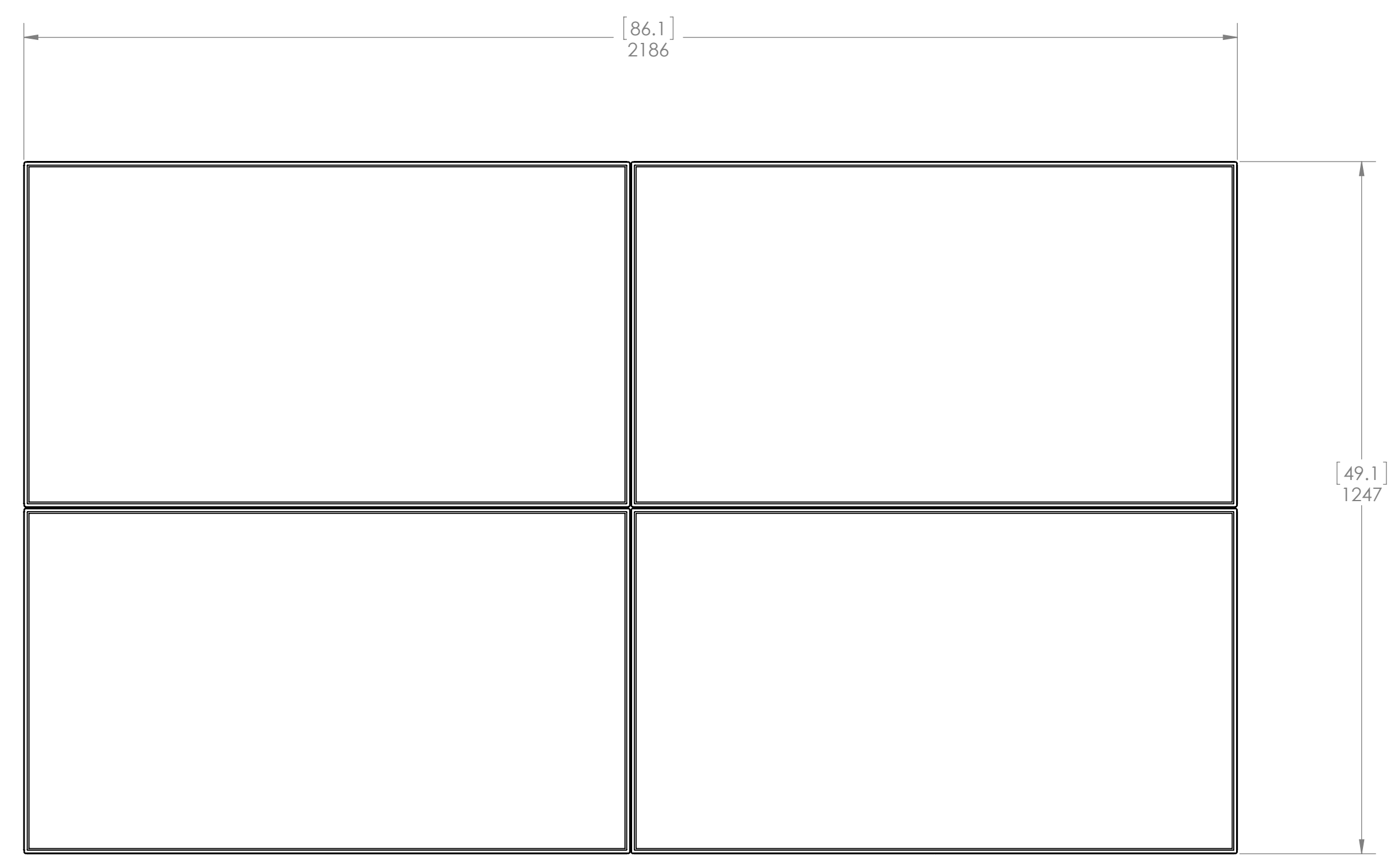
DETAIL A
SCALE 1:1



DETAIL B
SCALE 1:1

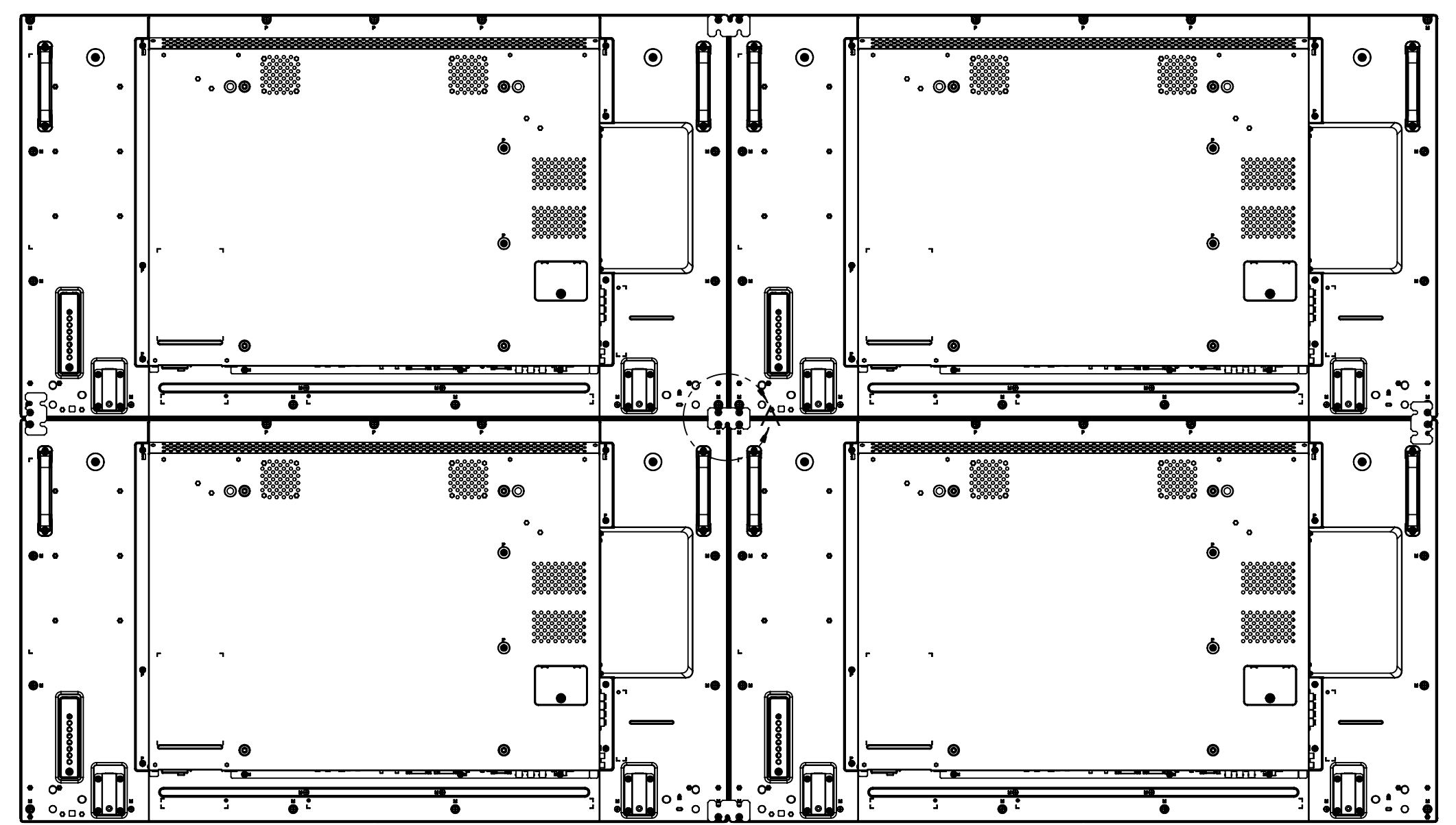
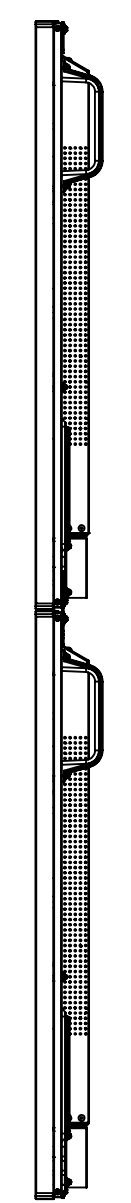
C

C



B

B



A

A

1. SPECIFICATIONS SUBJECT TO CHANGE WITHOUT NOTICE.
NOTES: UNLESS OTHERWISE SPECIFIED.

UNLESS OTHERWISE SPECIFIED: DIMENSIONS ARE IN MILLIMETERS (INCHES)		ENGR BY	PLANAR SYSTEMS, INC. 1195 NW COMPTON DRIVE BEAVERTON, OR 97006 USA	
TOLERANCES:		DRAWN BY	TITLE	
X= ±1	XX= ±.25	EJS	RA4980 TILING ASSEMBLY	
∠= ±1°		CHECKED BY	SIZE PART NO DRAWING NO REV	
		01APR15	D RA4980- RA4980- A	
DIMENSIONING AND TOLERANCING PER ASME Y14.5M-1994		USED ON	SCALE 1:8 DO NOT SCALE SHEET 2 OF 2	
THIRD ANGLE PROJECTION		MATERIAL		
		FINISH		

THIS DRAWING CONTAINS INFORMATION PROPRIETARY TO PLANAR SYSTEMS, INC. ANY REPRODUCTION IN PART OR WHOLE WITHOUT THE WRITTEN PERMISSION OF PLANAR SYSTEMS IS PROHIBITED. THIS DRAWING IS SUPPLIED FOR INFORMATION, IDENTIFICATION, ENGINEERING, EVALUATION, AND/OR INSPECTION PURPOSES ONLY AND MAY NOT BE USED AS BASIS FOR THE MANUFACTURING OF PRODUCTS OR THE FURNISHING OF SERVICES TO PLANAR SYSTEMS OR TO ANY THIRD PARTY UNLESS AUTHORIZED IN WRITING BY PLANAR SYSTEMS.

8 7 6 5 4 3 2 1