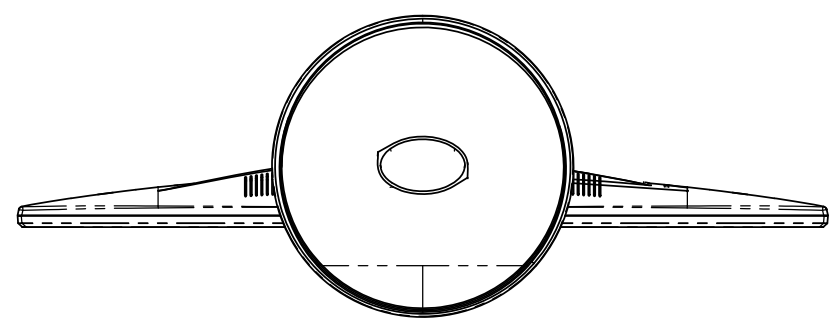
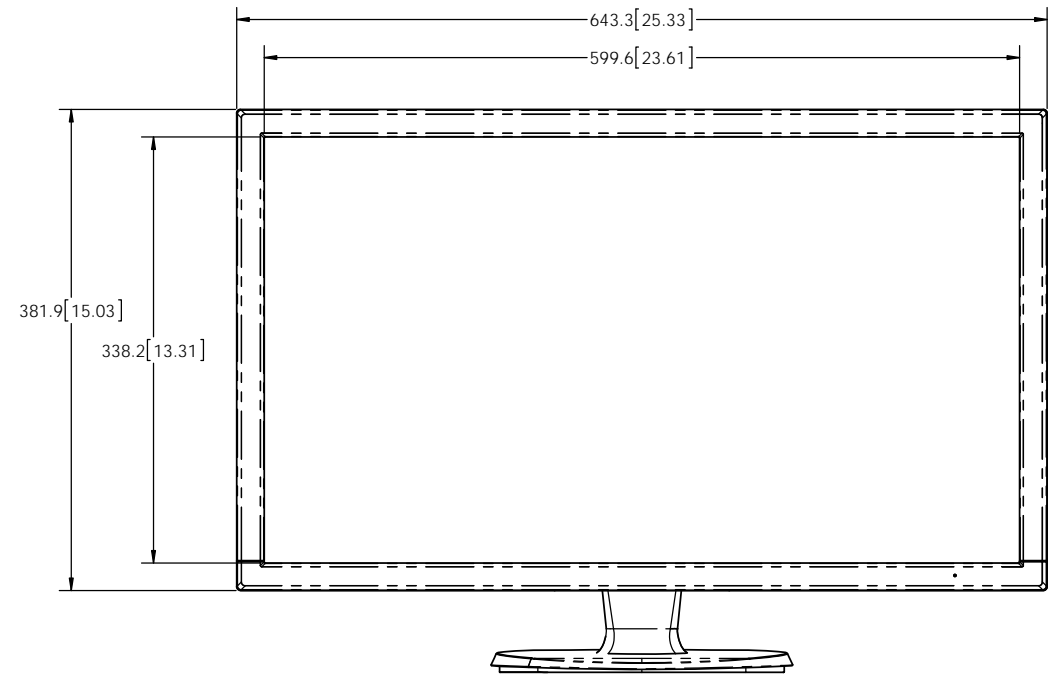
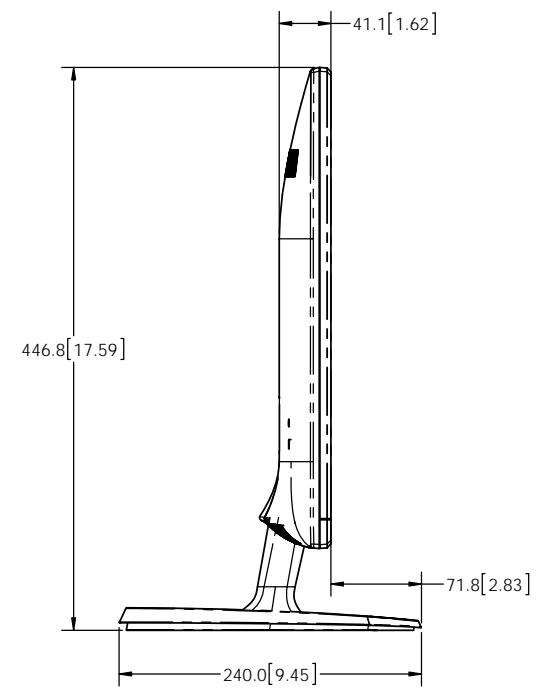
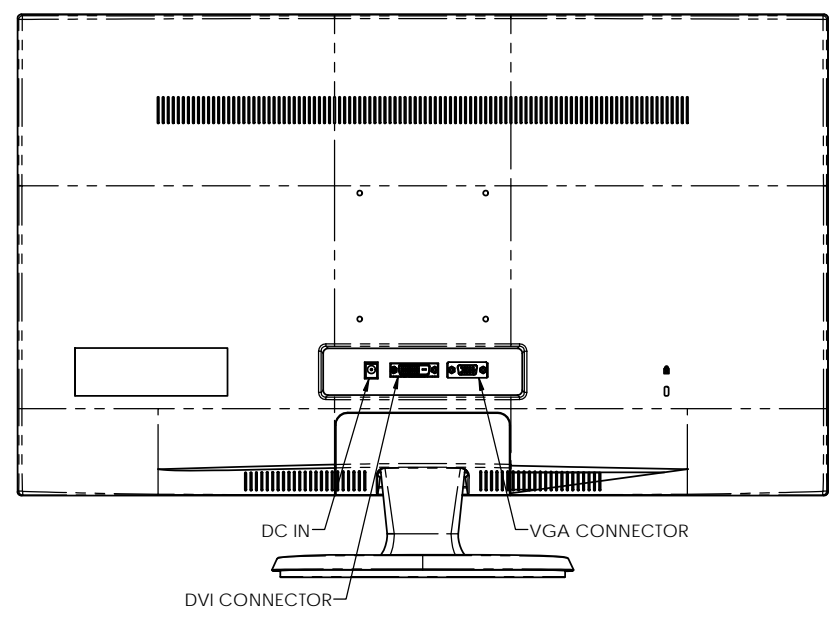
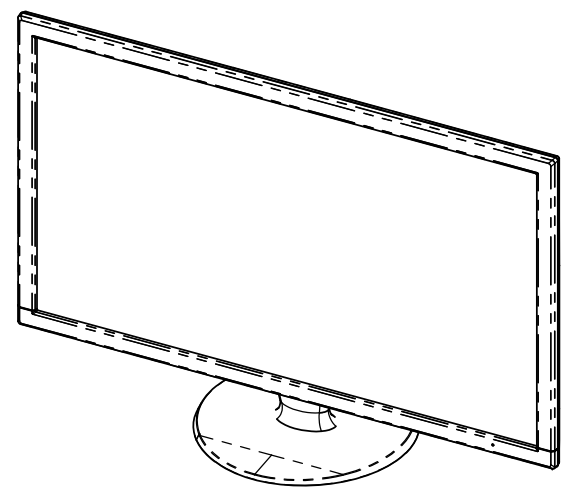
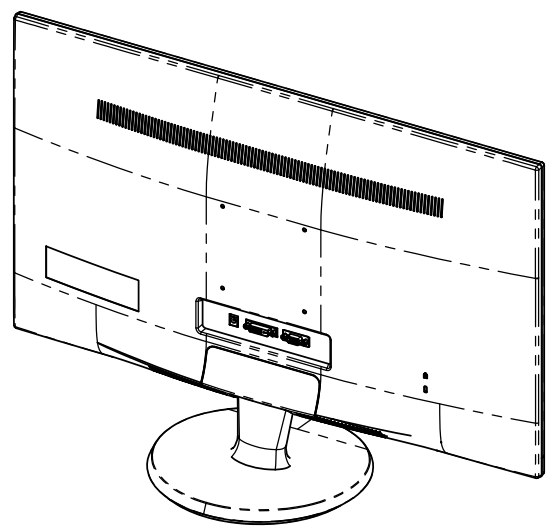


8 7 6 5 4 3 2 1

REVISIONS					
ECO	ZONE	REV.	DESCRIPTION	DATE	APPROVED
1005957		A	INITIAL RELEASE.	07/22/2014	RD

NOTES:
 1. FINISHED PART MUST BE RoHS II COMPLIANT, DIRECTIVE 2011/65/EU ON THE RESTRICTION OF THE USE OF CERTAIN HAZARDOUS SUBSTANCES IN EEE.



8 7 6 5 4 3 2 1

<small>UNLESS OTHERWISE SPECIFIED, DIMENSIONS ARE IN MILLIMETERS.</small> <small>TOLERANCES - UNLESS OTHERWISE SPECIFIED</small> X= ±1 XX= ±.25 X= ±.5 ANGLES= ±1° <small>DIMENSIONING AND TOLERANCING PER ASME Y14.5M-1994</small>		DRAWN BY: R.DAVENPORT CHECKED BY: USED ON: PLL2770W MATERIAL: FINISH:	TITLE: PRODUCT, PLL2770W PART NUMBER: 997-7602-00 DRAWING NUMBER: 997-7602-00 REV: A SCALE: 1:3 DO NOT SCALE SHEET: 1 OF 1	PLANAR SYSTEMS, INC. 1195 NW COMPTON DRIVE BEAVERTON, OR 97006 USA
---	--	---	--	--

THIS DRAWING CONTAINS INFORMATION PROPRIETARY TO PLANAR SYSTEMS, INC. ANY REPRODUCTION IN PART OR WHOLE WITHOUT THE WRITTEN PERMISSION OF PLANAR SYSTEMS IS PROHIBITED. THIS DRAWING IS SUPPLIED FOR INFORMATION, IDENTIFICATION, ENGINEERING EVALUATION, AND/OR INSPECTION PURPOSES ONLY AND MAY NOT BE USED AS BASIS FOR THE MANUFACTURE OF PRODUCTS OR THE FURNISHING OF SERVICES TO PLANAR SYSTEMS OR TO ANY THIRD PARTY UNLESS AUTHORIZED IN WRITING BY PLANAR SYSTEMS.