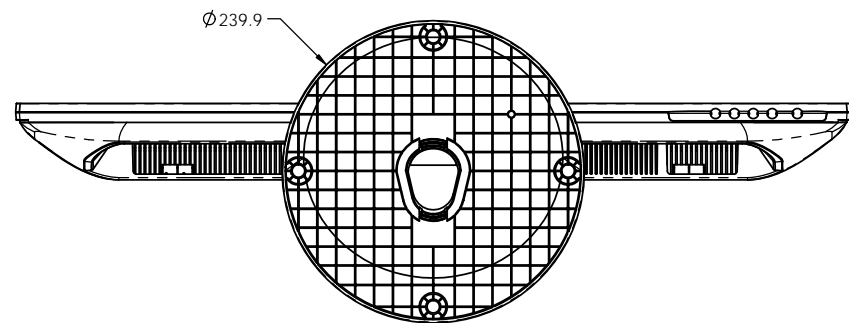
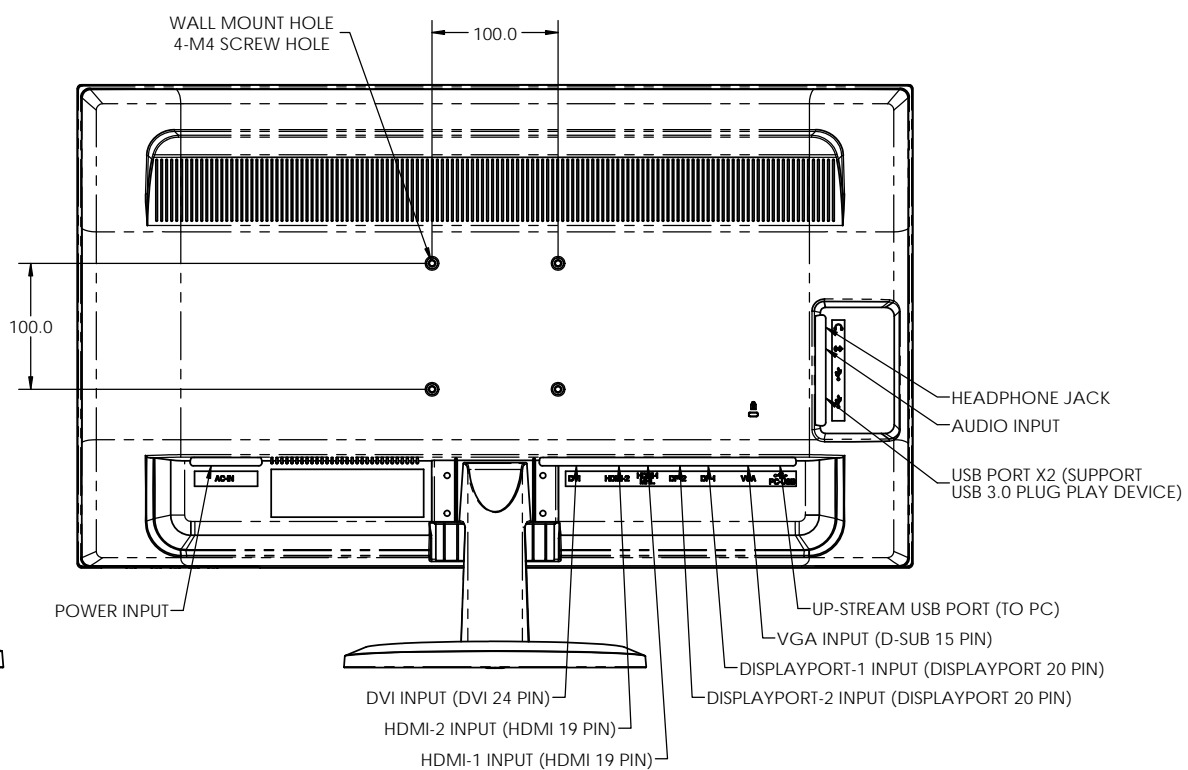
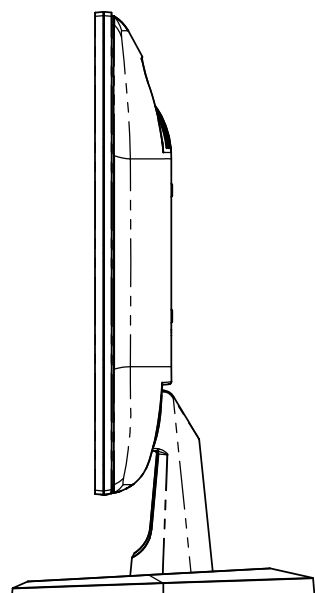
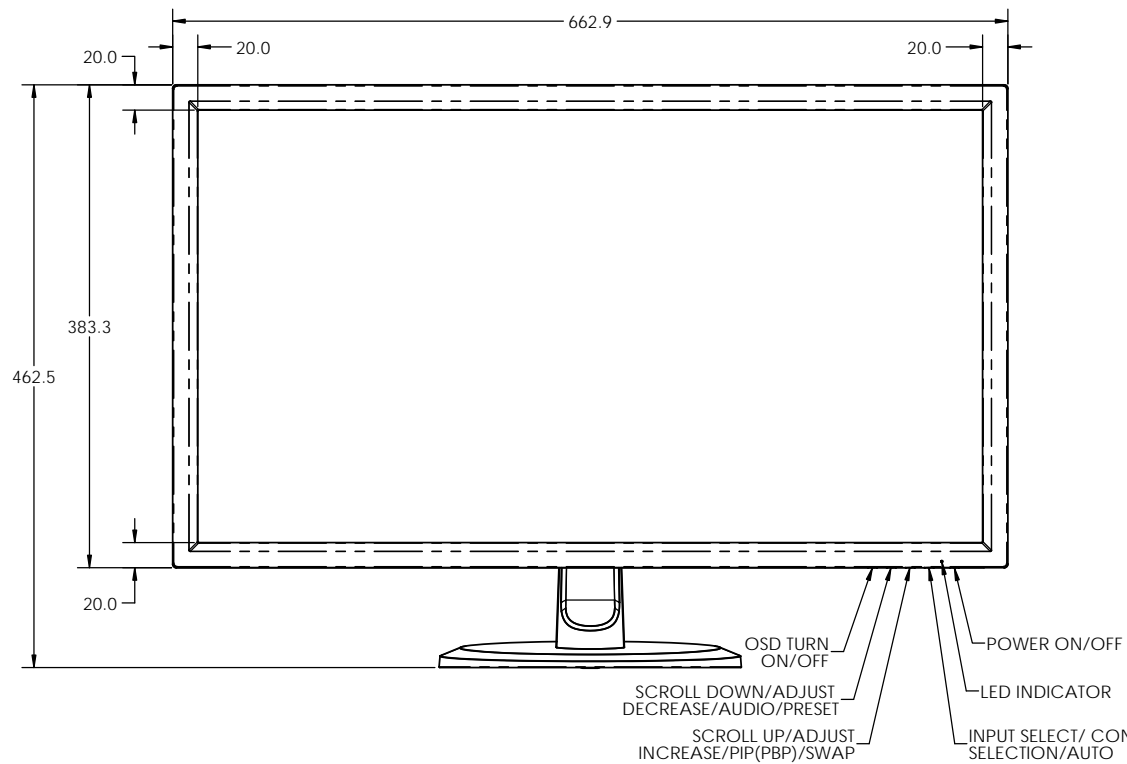
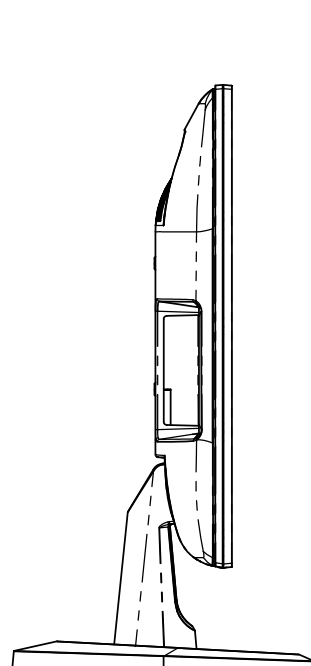
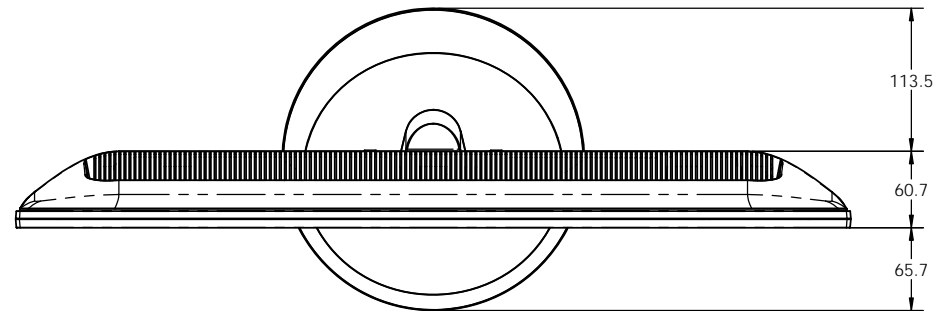


NOTES:

1. THIS DRAWING CAN BE USED WITH 3D MODEL FOR COMPLETE PRODUCT DEFINITION. USE CAD FILE OF SAME P/N AND REVISION FOR DETAILS.
2. FINISHED PART MUST BE RoHS II COMPLIANT, DIRECTIVE 2011/65/EU ON THE RESTRICTION OF THE USE OF CERTAIN HAZARDOUS SUBSTANCES IN EEE.

REVISIONS					
ECO	ZONE	REV.	DESCRIPTION	DATE	APPROVED
1005839		A	INITIAL RELEASE.	06/12/2014	RD



UNLESS OTHERWISE SPECIFIED, DIMENSIONS ARE IN MILLIMETERS.		DESIGNED BY			PLANAR SYSTEMS, INC. 1195 NW COMPTON DRIVE BEAVERTON, OR 97006 USA
TOLERANCES - UNLESS OTHERWISE SPECIFIED		DRAWN BY	R.DAVENPORT		
X= ±1	XX= ±.25	CHECKED BY		TITLE	
X= ±.5	ANGLES= ±1°	USED ON	IX2850	PRODUCT, IX2850	
DIMENSIONING AND TOLERANCING PER ASME Y14.5M-1994		MATERIAL		SIZE	PART NUMBER
THIRD ANGLE PROJECTION		FINISH		D	997-7685-00
				DRAWING NUMBER	REV
				997-7685-00	A
		SCALE	1:3	DO NOT SCALE	SHEET 1 OF 1

THIS DRAWING CONTAINS INFORMATION PROPRIETARY TO PLANAR SYSTEMS, INC. ANY REPRODUCTION IN PART OR WHOLE WITHOUT THE WRITTEN PERMISSION OF PLANAR SYSTEMS IS PROHIBITED. THIS DRAWING IS SUPPLIED FOR INFORMATION, IDENTIFICATION, ENGINEERING, EVALUATION, AND/OR INSPECTION PURPOSES ONLY AND MAY NOT BE USED AS BASIS FOR THE MANUFACTURE OF PRODUCTS OR THE FURNISHING OF SERVICES TO PLANAR SYSTEMS OR TO ANY THIRD PARTY UNLESS AUTHORIZED IN WRITING BY PLANAR SYSTEMS.