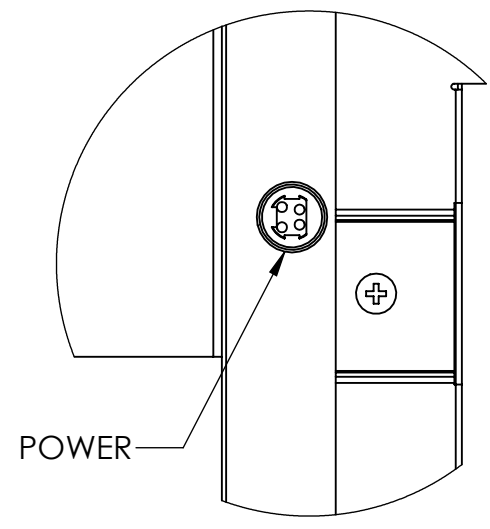


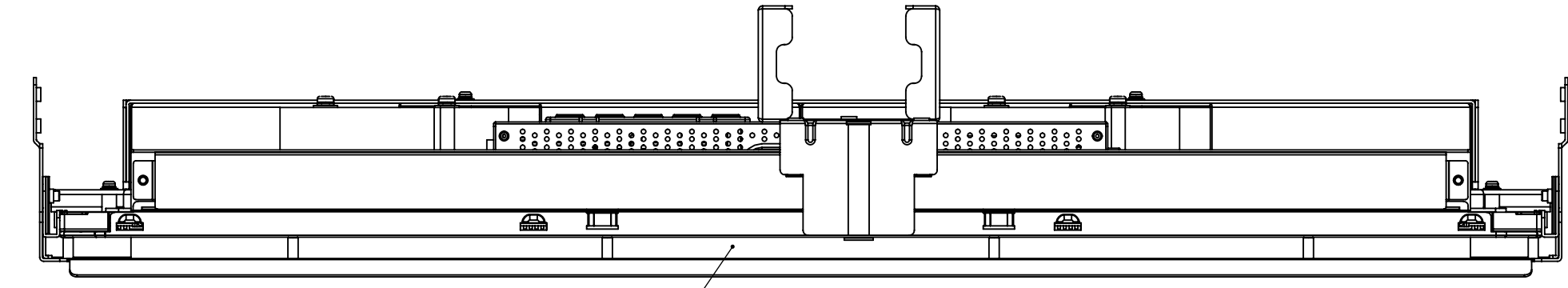
REVISIONS					
ECO	ZONE	REV.	DESCRIPTION	DATE	APPROVED
		01	DRAWING CREATION	7/25/11	NAB
		A	RELEASE INTO PDM	8-11-11	NAB

- NOTES:
- SOLID MODEL AVAILABLE UPON REQUEST.
 - THIS PART IS ROHS COMPLIANT

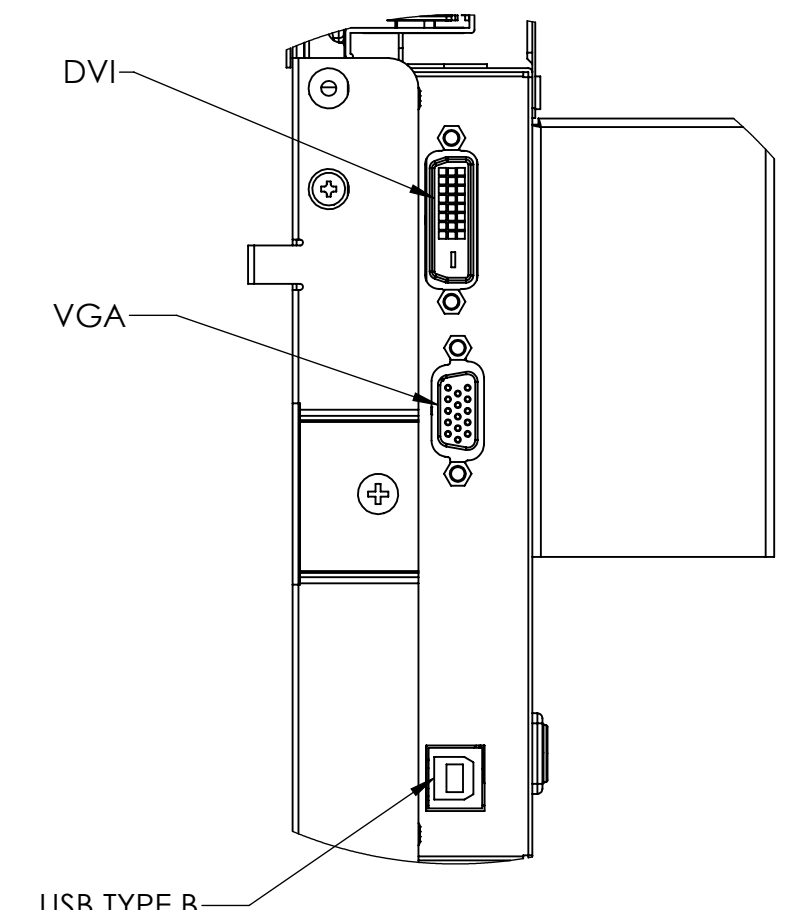


DETAIL B
SCALE 1 : 1.5

NOTE: MOUNTING TAB REMOVED FOR VIEWING PURPOSES

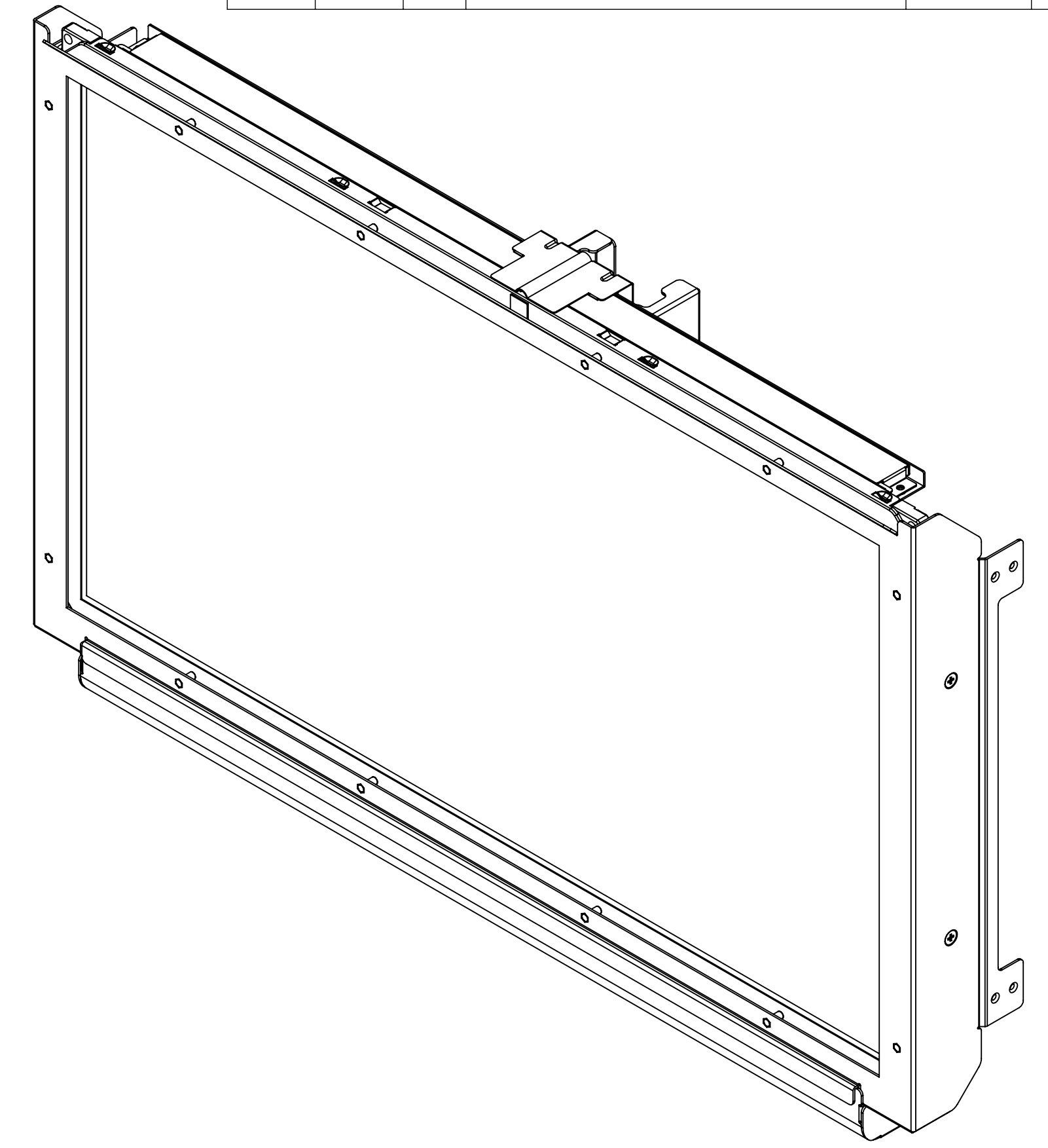


OPENING MUST NOT BE BLOCKED TO ALLOW PROPER AIRFLOW.



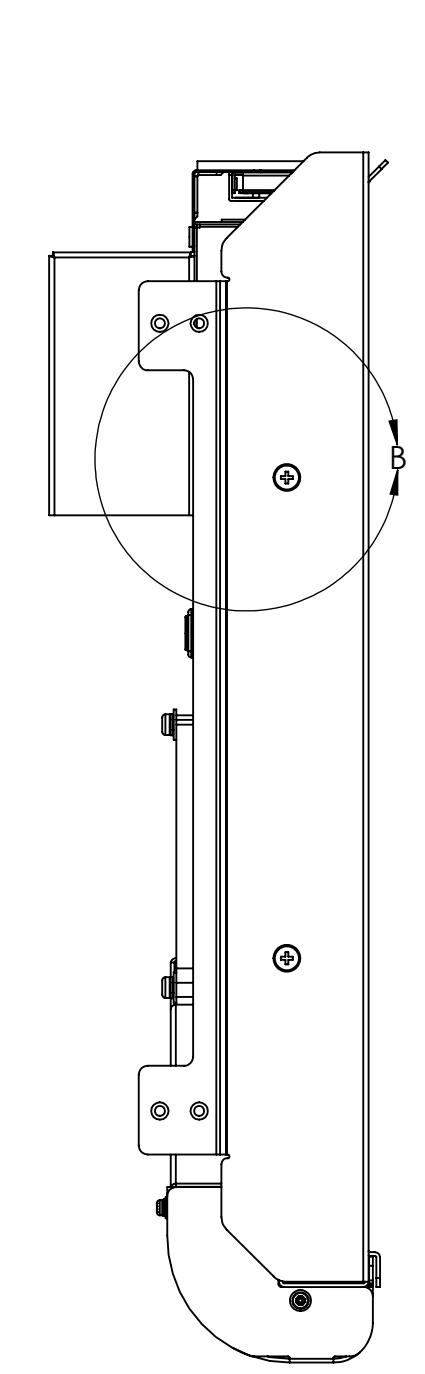
DETAIL A
SCALE 1 : 1.5

NOTE: MOUNTING TAB REMOVED FOR VIEWING PURPOSES



CUSTOMER SUPPLIED VANDAL SHIELD MUST BE SEALED TO THIS SURFACE FOR FRONT SURFACE COOLING TO FUNCTION PROPERLY.

24 AMBIENT LIGHT SENSOR LOCATION

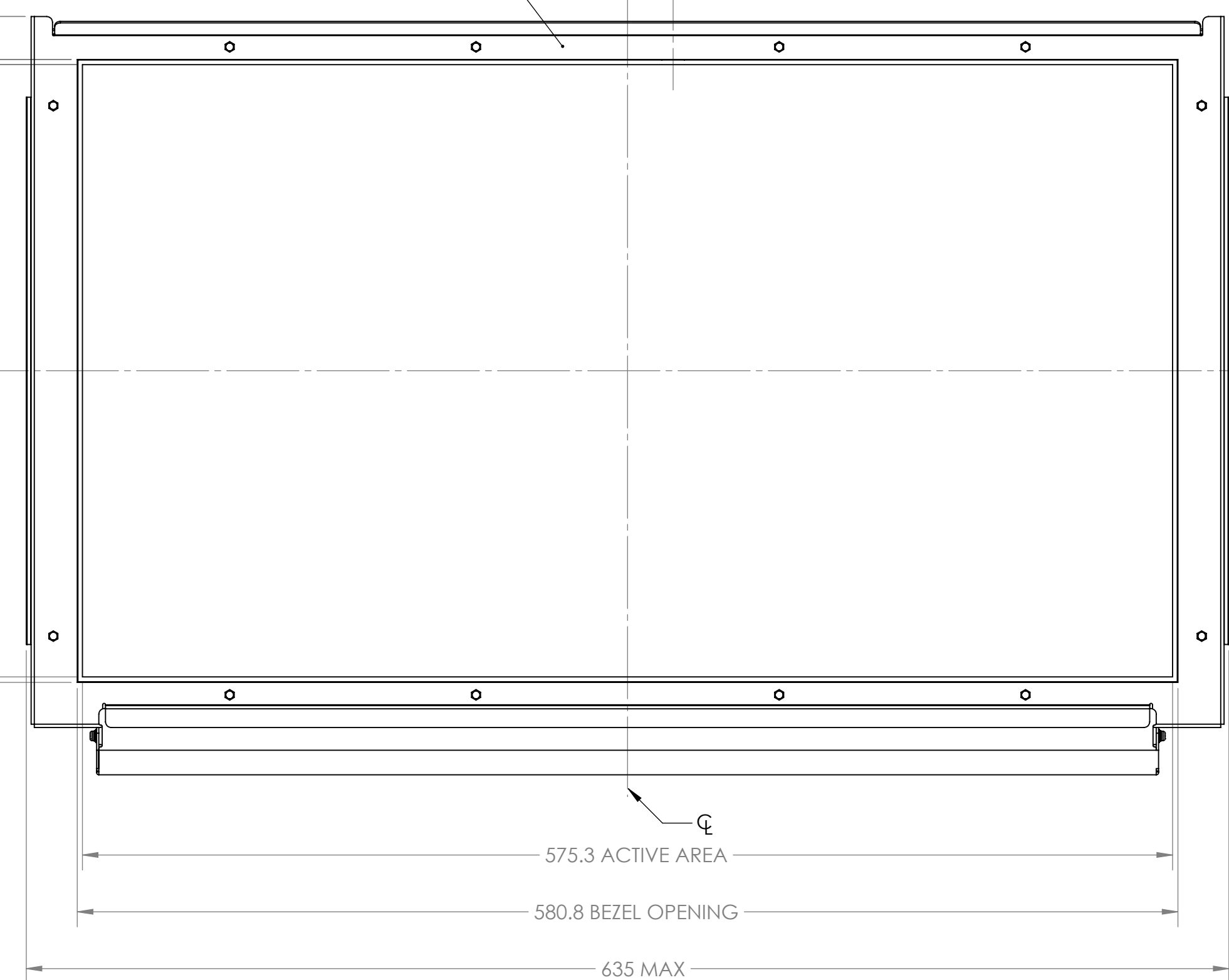


22.6

25.4

328.8 BEZEL OPENING

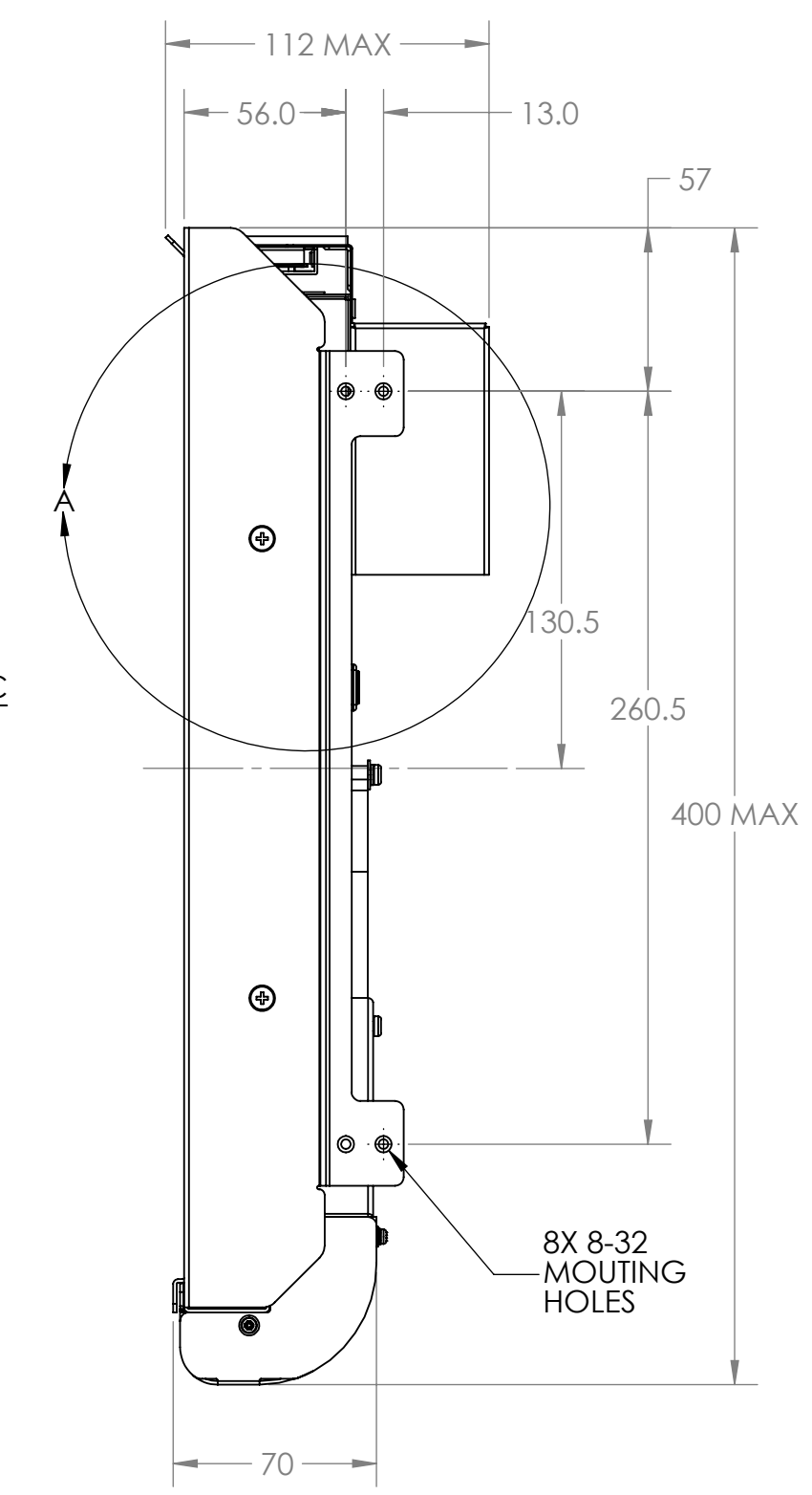
323.1 ACTIVE AREA



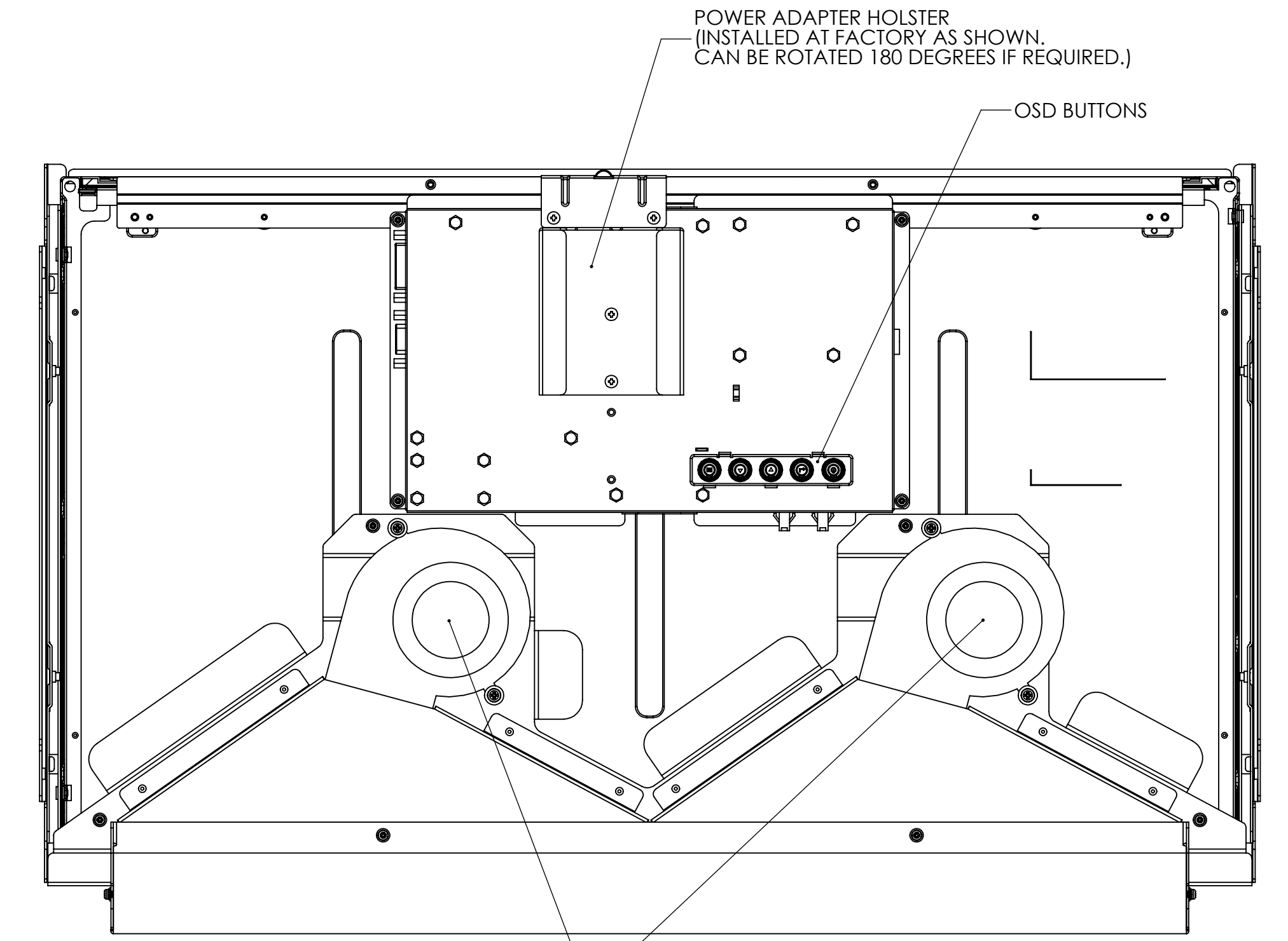
575.3 ACTIVE AREA

580.8 BEZEL OPENING

635 MAX



8X 8-32 MOUNTING HOLES



POWER ADAPTER HOLSTER (INSTALLED AT FACTORY AS SHOWN. CAN BE ROTATED 180 DEGREES IF REQUIRED.)

OSD BUTTONS

COOLING FAN WARNING: DO NOT RESTRICT AIRFLOW

UNLESS OTHERWISE SPECIFIED DIMENSIONS ARE IN MILLIMETERS		ENGR BY	NEIL BRASHNYK	7/25/11		PLANAR SYSTEMS, INC. 1195 NW COMPTON DRIVE BEAVERTON, OR 97006 USA
TOLERANCES - UNLESS OTHERWISE SPECIFIED		DRAWN BY	NEIL BRASHNYK	7/25/11		
X= ±2	XX= ±.5	CHECKED BY			TITLE	DWG. SPEC. MECH O/L
X= ±1	ANGLES= ±1°	USED ON	LC2600R-C		SIZE	LC2600R-C, GENERAL MARKET
DIMENSIONING AND TOLERANCING PER ASME Y14.5M-1994		MATERIAL			PART NUMBER	997-6050-01LF
THIRD ANGLE PROJECTION		FINISH			DRAWING NUMBER	076-0717-00
					SCALE	1:3
					DO NOT SCALE	
					SHEET	1 OF 1

THIS DRAWING CONTAINS INFORMATION PROPRIETARY TO PLANAR SYSTEMS, INC. ANY REPRODUCTION IN PART OR WHOLE WITHOUT THE WRITTEN PERMISSION OF PLANAR SYSTEMS IS PROHIBITED. THIS DRAWING IS SUPPLIED FOR INFORMATION, IDENTIFICATION, ENGINEERING, EVALUATION, AND/OR INSPECTION PURPOSES ONLY AND MAY NOT BE USED AS BASIS FOR THE MANUFACTURING OF PRODUCTS OR THE SUPPLYING OF SERVICES TO PLANAR SYSTEMS OR TO ANY THIRD PARTY UNLESS AUTHORIZED IN WRITING BY PLANAR SYSTEMS.