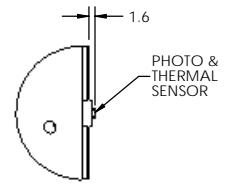
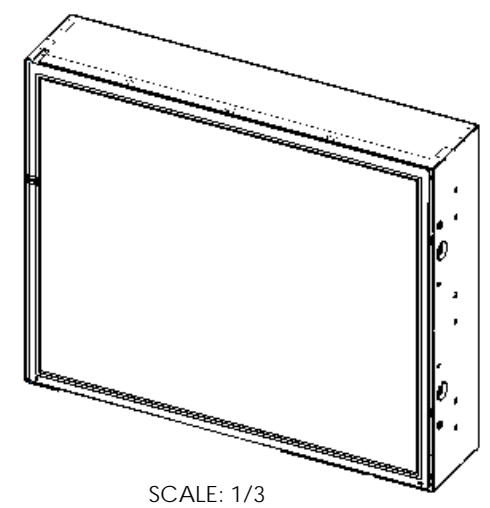
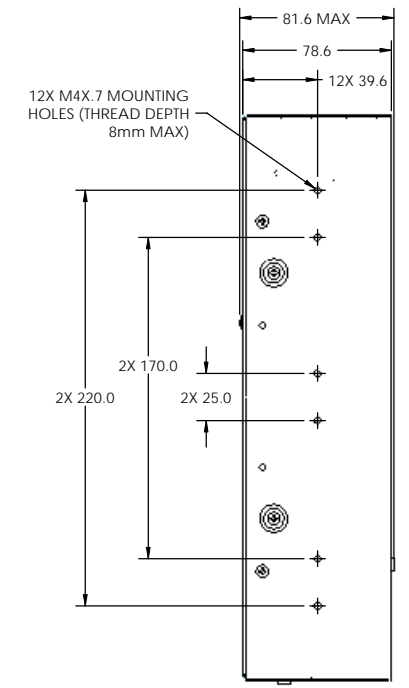
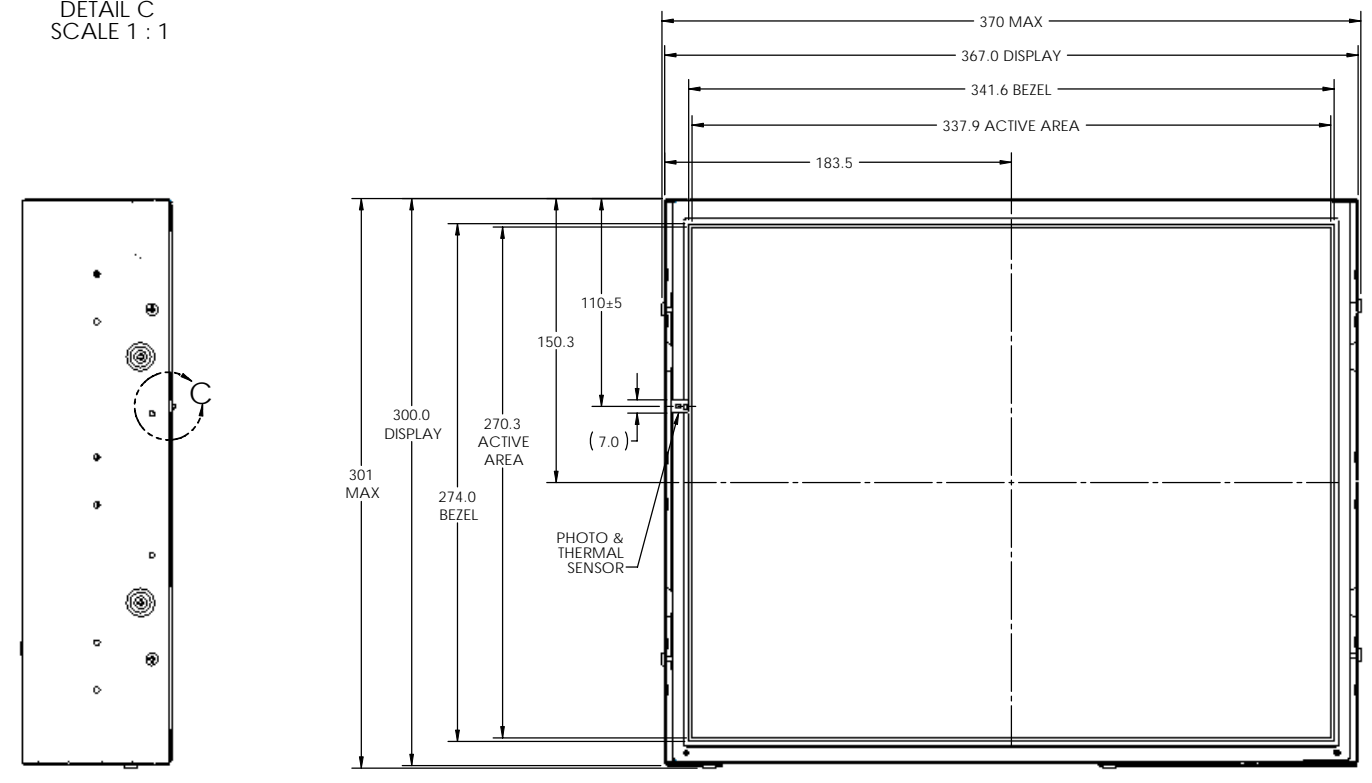


- NOTES:
1. SHEETMETAL HOUSING IS EG PLATED.
 2. SOLID MODEL, IGES, AND PARASOLID FORMATS, AVAILABLE UPON REQUEST.
 3. PART IS RoHS COMPLIANT.

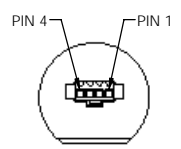
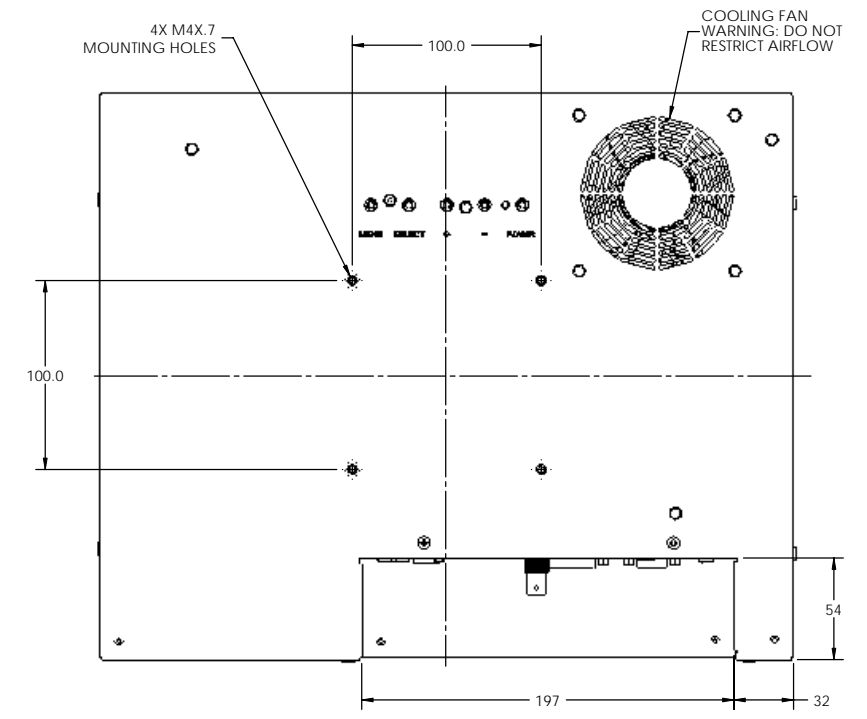
REVISIONS				
ZONE	REV.	DESCRIPTION	DATE	APPROVED
	A	INITIAL RELEASE	08/03/07	RD



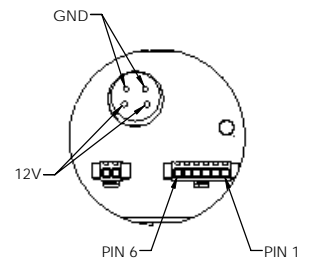
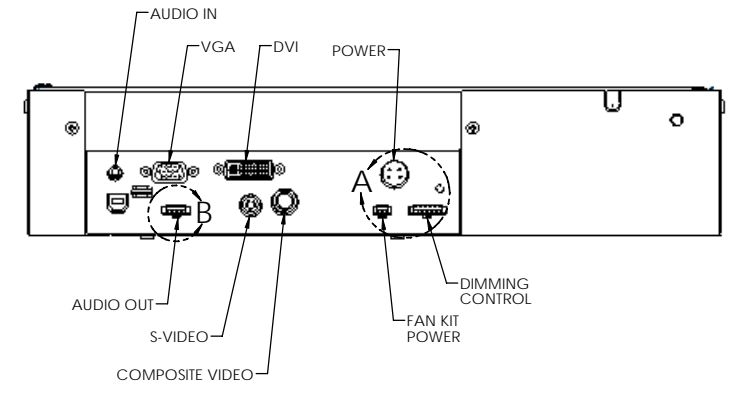
DETAIL C
SCALE 1 : 1



DETAIL A
SCALE 1 : 1



DETAIL B
SCALE 1 : 1



UNLESS OTHERWISE SPECIFIED, DIMENSIONS ARE IN MILLIMETERS.		DRAWN BY: R. DAVENPORT		DATE: 06/21/07		 PLANAR SYSTEMS, INC. 1195 NW COMPTON DRIVE BEAVERTON, OR 97006 USA	
TOLERANCES:		CHECKED BY: -		TITLE: DWG, SPEC, MECH O/L LC1713R		DRAWING NO: 076-0626-00	
X= ±1	XX= ±25	USED ON: -		MATERIAL: -		REV: A	
.X= ±.5	ANGLES= ±1°	DIMENSIONING AND TOLERANCING PER ASME Y14.5M 1994		SEE NOTES		PART NUMBER: 997-3361-00LF	
THIRD ANGLE PROJECTION		FINISH: NA		SCALE: 1:2		SHEET: 1 OF 1	

THIS DRAWING CONTAINS INFORMATION PROPRIETARY TO PLANAR SYSTEMS, INC. ANY REPRODUCTION IN PART OR WHOLE WITHOUT THE WRITTEN PERMISSION OF PLANAR SYSTEMS IS PROHIBITED. THIS DRAWING IS SUPPLIED FOR INFORMATION, IDENTIFICATION, ENGINEERING, EVALUATION, AND/OR INSPECTION PURPOSES ONLY AND MAY NOT BE USED AS BASIS FOR THE MANUFACTURING OF PRODUCTS OR THE FURNISHING OF SERVICES TO PLANAR SYSTEMS OR TO ANY THIRD PARTY, UNLESS AUTHORIZED BY WRITING BY PLANAR SYSTEMS.