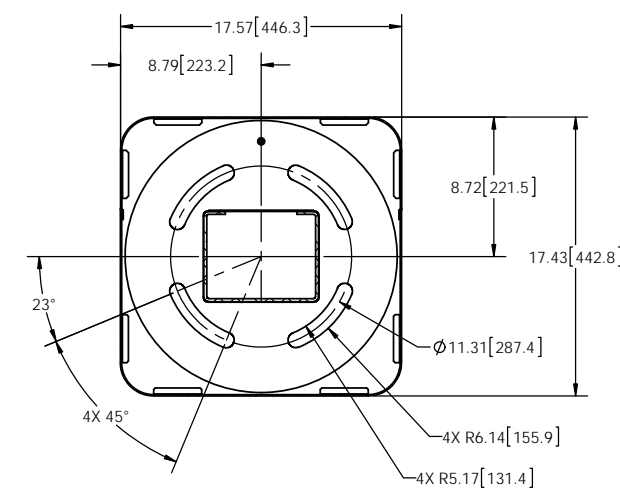
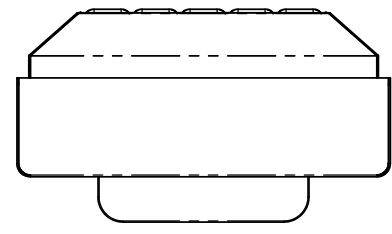
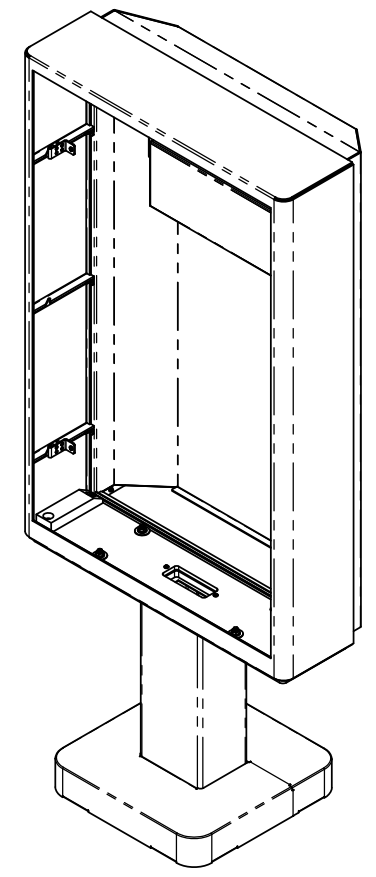
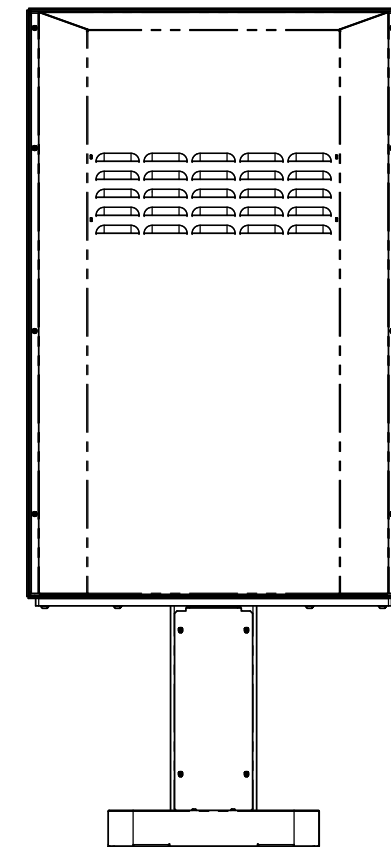
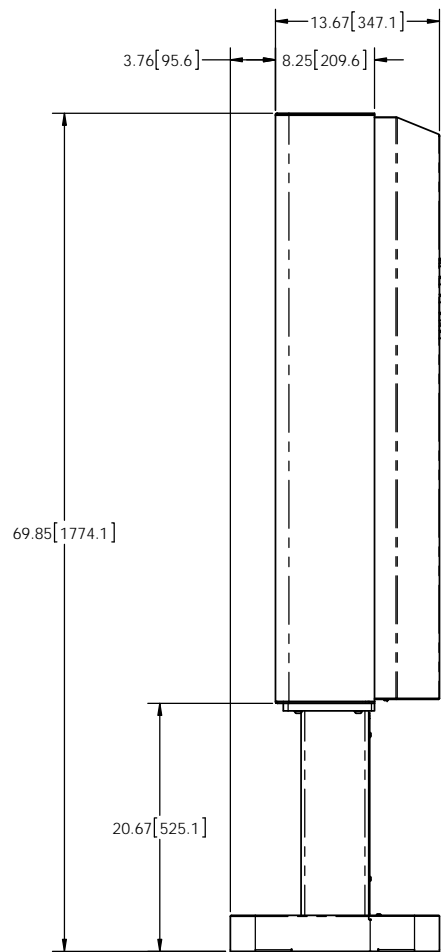
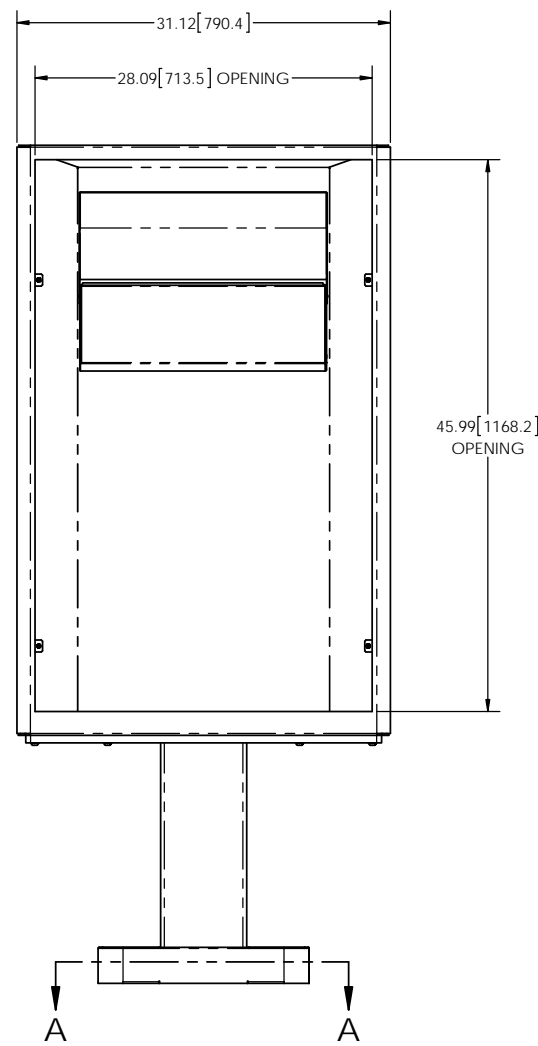


REVISIONS					
ECO	ZONE	REV.	DESCRIPTION	DATE	APPROVED
-		01	INITIAL RELEASE.	03/02/12	RD
1004015		A	PRODUCTION RELEASE.	10/31/12	RD



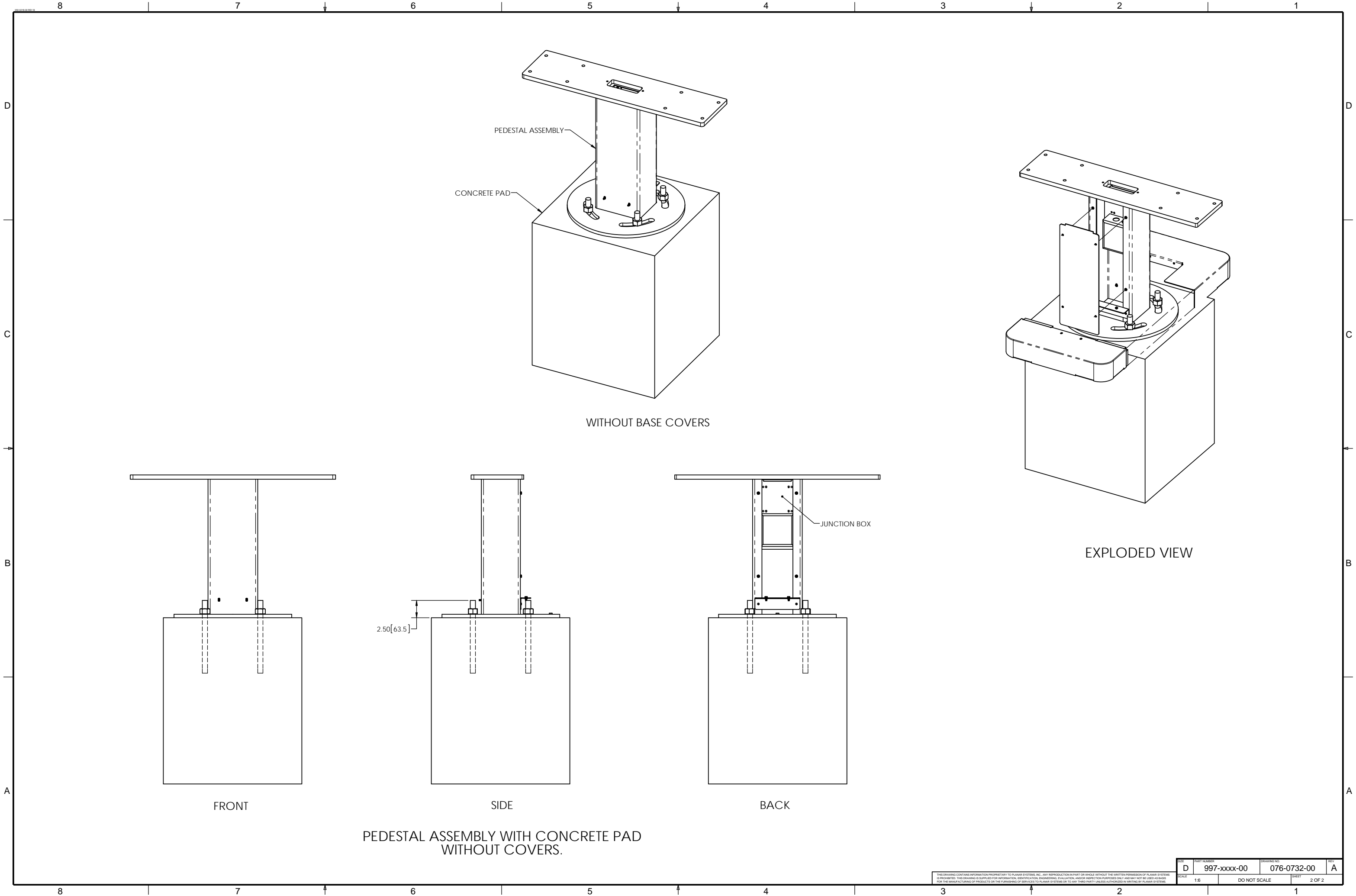
SECTION A-A
SCALE 1 : 6



- NOTES:
- REFER TO 002-0266-00 FOR LATEST FINISH/COLOR SPECIFICATIONS AND 997 PART NUMBERS.
 - FINISHED ASSEMBLY MUST BE RoHS COMPLIANT.

UNLESS OTHERWISE SPECIFIED DIMENSIONS ARE IN INCHES.		DESIGNED BY	-	DRAWN BY		R.DAVENPORT	02/29/12	 PLANAR SYSTEMS, INC. 1156 NW COMPTON DRIVE BEAVERTON, OR 97006 USA
TOLERANCES - UNLESS OTHERWISE SPECIFIED		CHECKED BY	-	USED ON		LC47 ENCLOSURE	TITLE	
X= ±.1	XXX= ±.015			MATERIAL		N/A	DWG. SPEC, LC4751 ENCL, MECH OUTLINE	
DIMENSIONING AND TOLERANCING PER ASME Y14.5M-1994		THIRD ANGLE PROJECTION		FINISH		SEE NOTE 1	SIZE	
							PART NUMBER	
							DRAWING NUMBER	
							REV	
							D	
							997-xxxx-00	
							076-0732-00	
							A	
							SCALE	
							1:8	
							DO NOT SCALE	
							SHEET	
							1 OF 2	

THIS DRAWING CONTAINS INFORMATION PROPRIETARY TO PLANAR SYSTEMS, INC. ANY REPRODUCTION IN PART OR WHOLE WITHOUT THE WRITTEN PERMISSION OF PLANAR SYSTEMS IS PROHIBITED. THIS DRAWING IS SUPPLIED FOR INFORMATION, IDENTIFICATION, ENGINEERING, EVALUATION, AND/OR INSPECTION PURPOSES ONLY AND MAY NOT BE USED AS A BASIS FOR THE MANUFACTURING OF PRODUCTS OR THE FURNISHING OF SERVICES TO PLANAR SYSTEMS OR TO ANY THIRD PARTY, UNLESS AUTHORIZED IN WRITING BY PLANAR SYSTEMS.



<small>THIS DRAWING CONTAINS INFORMATION PROPRIETARY TO PLANNAR SYSTEMS, INC. ANY REPRODUCTION IN PART OR WHOLE WITHOUT THE WRITTEN PERMISSION OF PLANNAR SYSTEMS IS PROHIBITED. THIS DRAWING IS SUPPLIED FOR INFORMATION, IDENTIFICATION, ENGINEERING, EVALUATION, AND/OR INSPECTION PURPOSES ONLY AND MAY NOT BE USED AS BASIS FOR THE MANUFACTURING OF PRODUCTS OR THE FURNISHING OF SERVICES TO PLANNAR SYSTEMS OR TO ANY THIRD PARTY UNLESS AUTHORIZED BY WRITING BY PLANNAR SYSTEMS.</small>		<small>REV</small> D	<small>PART NUMBER</small> 997-xxxx-00	<small>DRAWING NO.</small> 076-0732-00	<small>REV</small> A
<small>SCALE</small> 1:6	<small>DO NOT SCALE</small>	<small>SHEET</small> 2 OF 2			