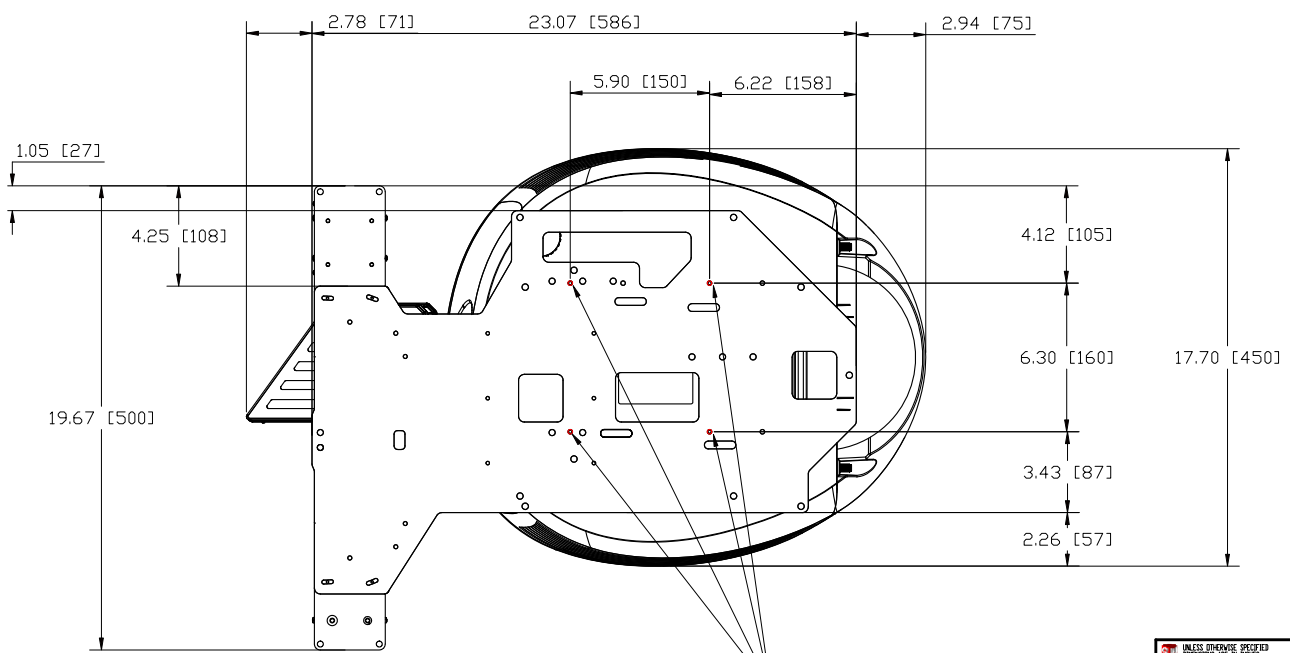
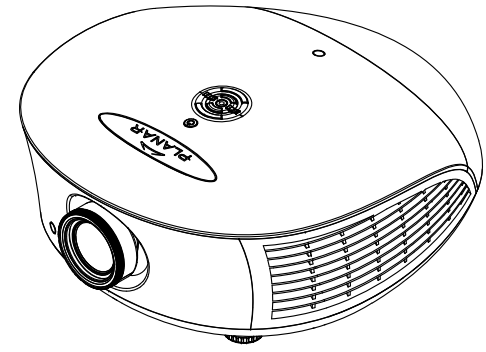
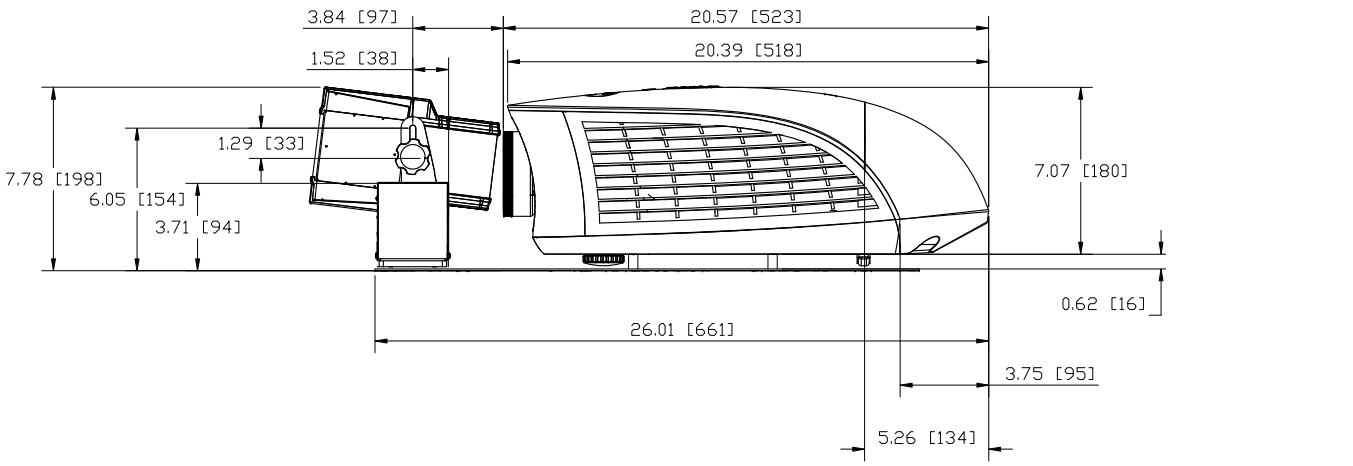


NOTES:  
1. ALL DIMENSIONS ARE IN INCHES (MILLIMETERS).

REVISIONS					
ECD	ZONE	REV.	DESCRIPTION	DATE	APPROVED
		A	INITIAL RELEASE	04/21/2009	HC



PD8130/PD8150 MOUNTING HOLES

THIS DRAWING CONTAINS INFORMATION PROPRIETARY TO PLANAR SYSTEMS, INC. ANY REPRODUCTION IN PART OR WHOLE WITHOUT THE WRITTEN PERMISSION OF PLANAR SYSTEMS, INC. IS PROHIBITED. THIS DRAWING IS SUPPLIED FOR INFORMATION, CONSULTATION, EVALUATION AND/OR QUOTATION PURPOSES ONLY AND MAY NOT BE USED AS BASIS FOR THE MANUFACTURE OF PRODUCTS OF THE FURNISHING OF SERVICES TO PLANAR SYSTEMS OR TO ANY THIRD PARTY UNLESS AUTHORIZED IN WRITING BY PLANAR SYSTEMS.

<b>3</b> UNLESS OTHERWISE SPECIFIED DIMENSIONS ARE IN INCHES.		DATE BY	HC	04/21/2009
TOLERANCES - UNLESS OTHERWISE SPECIFIED		DRAWN BY	HC	04/21/2009
X= ±.1	.XXX= ±.005	CHECKED BY	HC	04/21/2009
XX= ±.01	ANGLES= ±1°	USED IN	PD8130/PD8150	
DIMENSIONING AND TOLERANCING PER ASME Y14.5M-1994		MATERIAL	-	
THIRD ANGLE PROJECTION		FINISH	-	

<b>PLANAR</b>		PLANAR SYSTEMS, INC. 1195 NW COMPTON DRIVE BEAVERTON, OR 97006 USA	
TITLE PD8130/PD8150 WITH PANAMORPH KIT, OVERALL DIM			
SIZE	PART NUMBER	DRAWING NUMBER	REV
C	N/A		A
SCALE	1:1	DO NOT SCALE	SHEET 1 OF 1