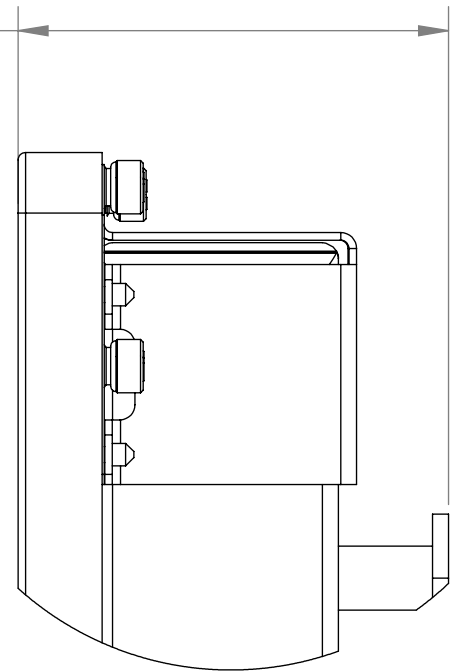
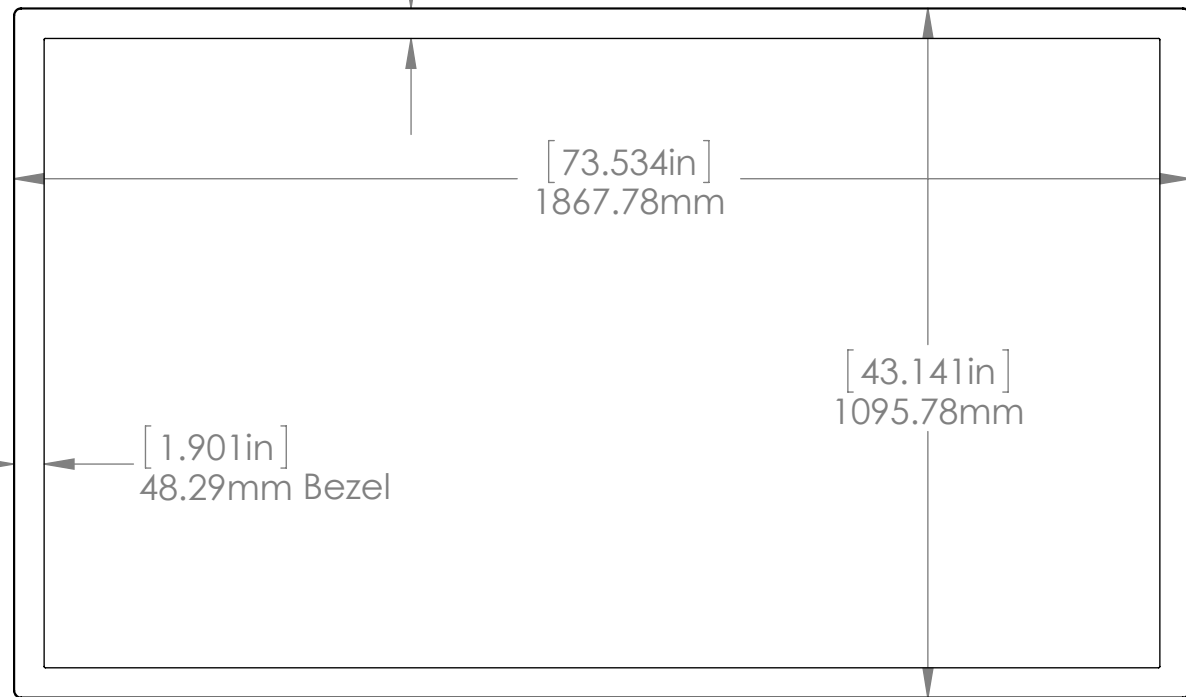


[3.363in]
85.42mm
Total depth of display
with touch Solution



DETAIL B
SCALE 1 : 1.5

[1.905in]
48.39mm
Bezel



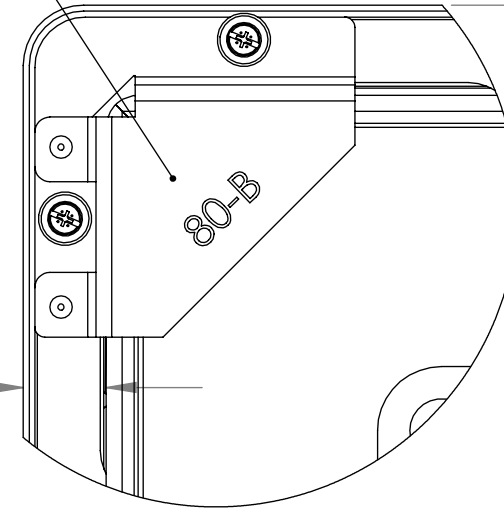
[73.534in]
1867.78mm

[43.141in]
1095.78mm

[1.901in]
48.29mm Bezel

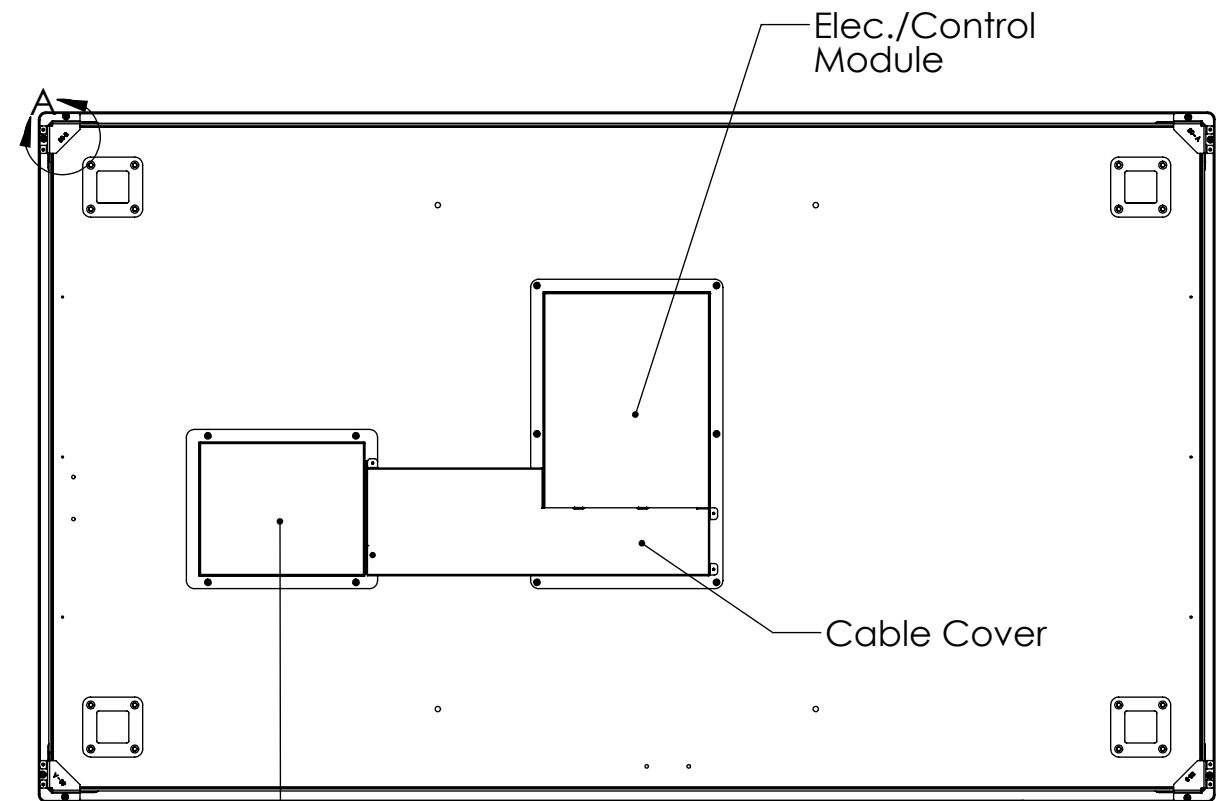
4x removable corner
bracket for Touch Frame
installation/servicability

[.647in]
16.44mm
Overhang on left
and right edge



[.704in]
17.89mm
Overhang on top
and bottom edge

DETAIL A
SCALE 1 : 1.5



Cable Cover

Media Player
Compartment

Elec./Control
Module

THIS DRAWING CONTAINS INFORMATION PROPRIETARY TO PLANAR SYSTEMS, INC.. ANY REPRODUCTION IN PART OR WHOLE WITHOUT THE WRITTEN PERMISSION OF PLANAR SYSTEMS IS PROHIBITED. THIS DRAWING IS SUPPLIED FOR INFORMATION, IDENTIFICATION, ENGINEERING, EVALUATION, AND/OR INSPECTION PURPOSES ONLY AND MAY NOT BE USED AS BASIS FOR THE MANUFACTURING OF PRODUCTS OR THE FURNISHING OF SERVICES TO PLANAR SYSTEMS OR TO ANY THIRD PARTY UNLESS AUTHORIZED IN WRITING BY PLANAR SYSTEMS.



PLANAR SYSTEMS, INC.
1195 NW COMPTON DRIVE
BEAVERTON, OR 97006 USA

| | | |
|------------------------------------|--------------|-----------------|
| TITLE UltraLUX 80" Touch | | |
| SCALE 1:12 | DO NOT SCALE | SHEET 1 OF 3 |