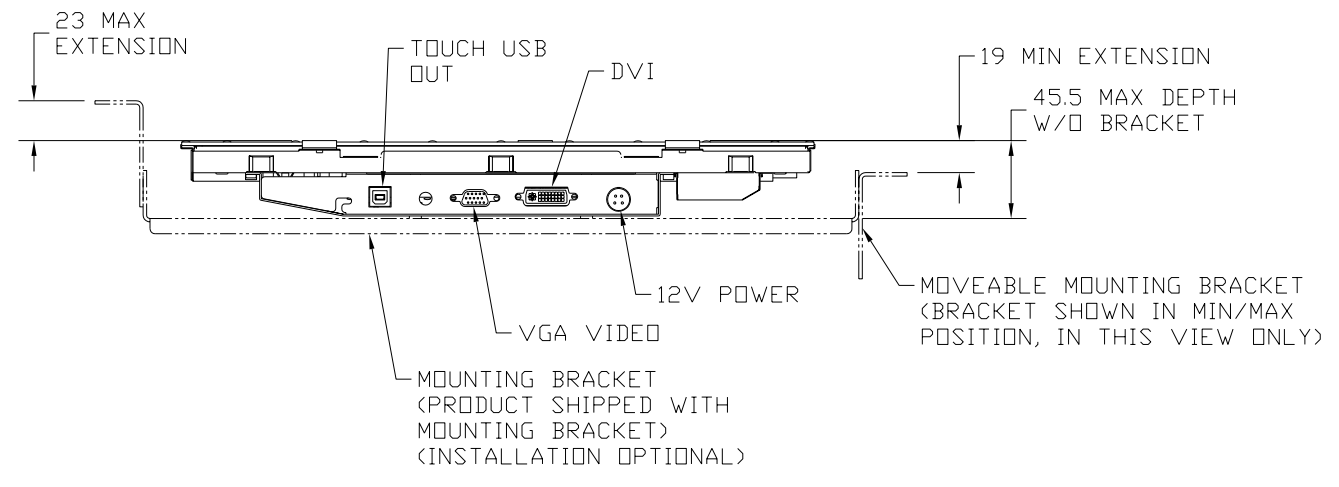
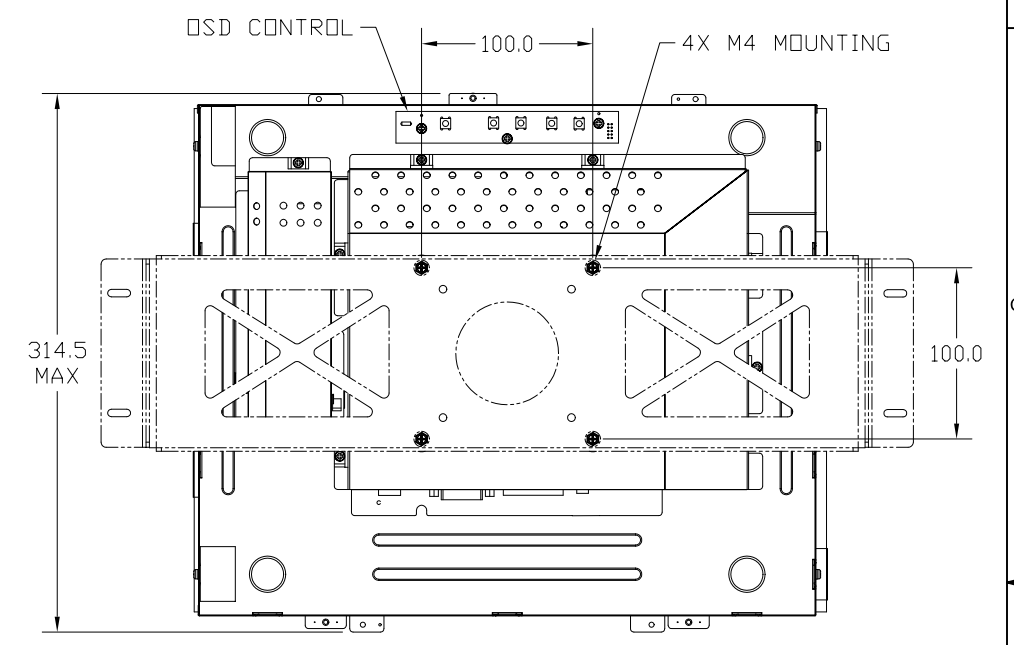
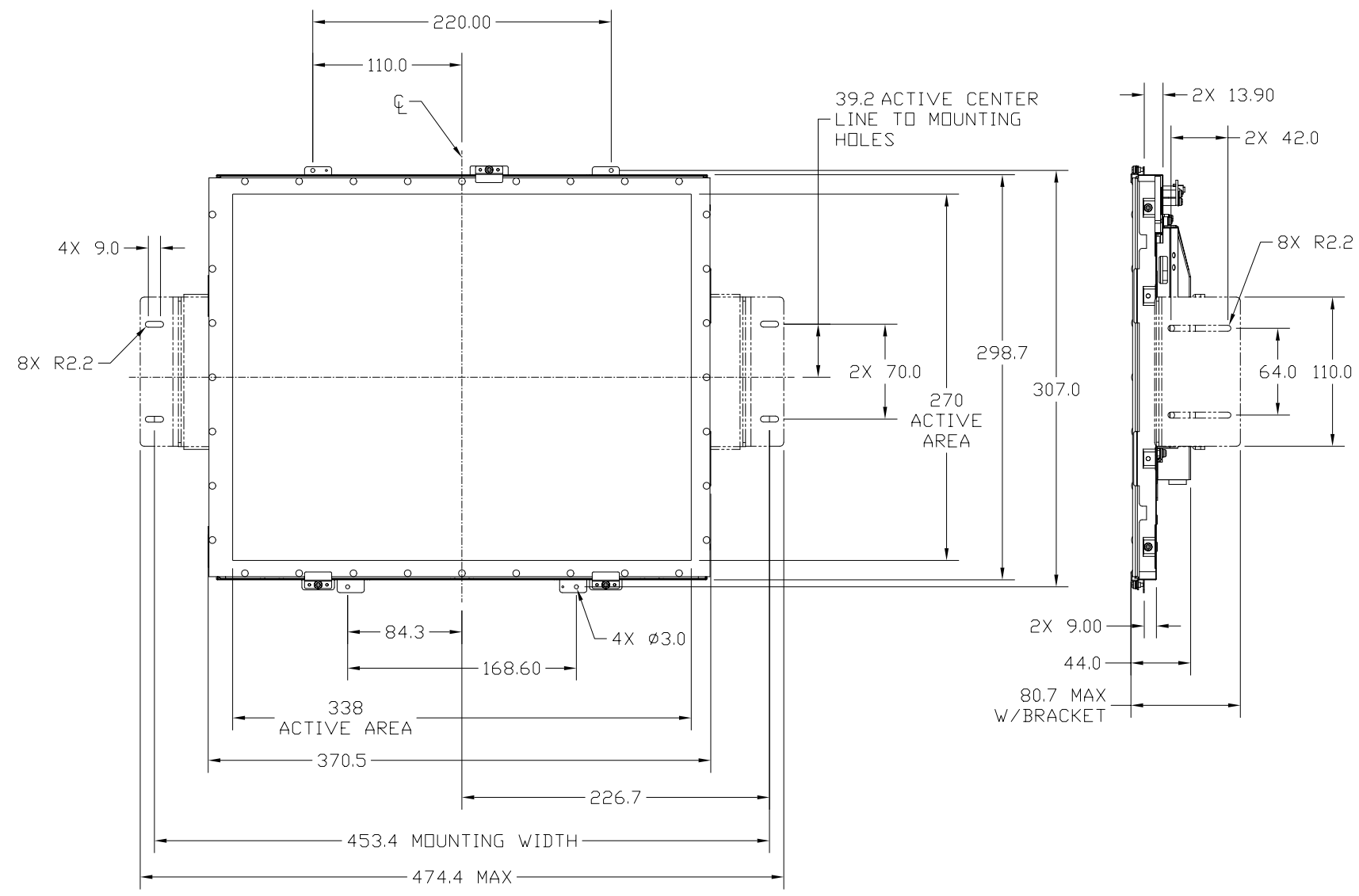


REVISIONS					
REV	REF	DESCRIPTION	DATE	REV BY	CHK BY
B	ECO-1947	UPDATE MOUNTING BRACKET DIMENSIONS	06/22/04	RD	

NOTES:
 1. IGES FILE AVAILABLE UPON REQUEST.



UNLESS OTHERWISE SPECIFIED DIMENSIONS ARE IN MILLIMETERS.		ENGR BY	S.VAHLING	02/18/04	 PLANAR SYSTEMS 1195 NW COMPTON DRIVE BEAVERTON, OR 97006 USA
TOLERANCES:		DRAWN BY	R.DAVENPORT	02/18/04	
X = ±1	.XX = ±.13	CHECKED BY	-	-	TITLE
.X = ±.5	ANGLES = ±1°	USED ON	1005801		MECH O/L LA1710R-TR
DIMENSIONING AND TOLERANCING PER ASME Y14.5M-1994		MATERIAL	NA		SIZE
THIRD ANGLE PROJECTION		FINISH	NA		PART NO.
					DRAWING NO.
		C		997-2809-00	076-0585-00
		SCALE		NONE	DO NOT SCALE
				SHEET	1 OF 1

THIS DRAWING CONTAINS INFORMATION PROPRIETARY TO PLANAR SYSTEMS, INC. ANY REPRODUCTION IN PART OR WHOLE WITHOUT THE WRITTEN PERMISSION OF PLANAR SYSTEMS IS PROHIBITED. THIS DRAWING IS SUPPLIED FOR INFORMATION IDENTIFICATION, ENGINEERING, EVALUATION, AND/OR INSPECTION PURPOSES ONLY AND MAY NOT BE USED AS BASIS FOR THE MANUFACTURING OF PRODUCTS OR THE FURNISHING OF SERVICES TO PLANAR SYSTEMS OR TO ANY THIRD PARTY UNLESS AUTHORIZED IN WRITING BY PLANAR SYSTEMS.